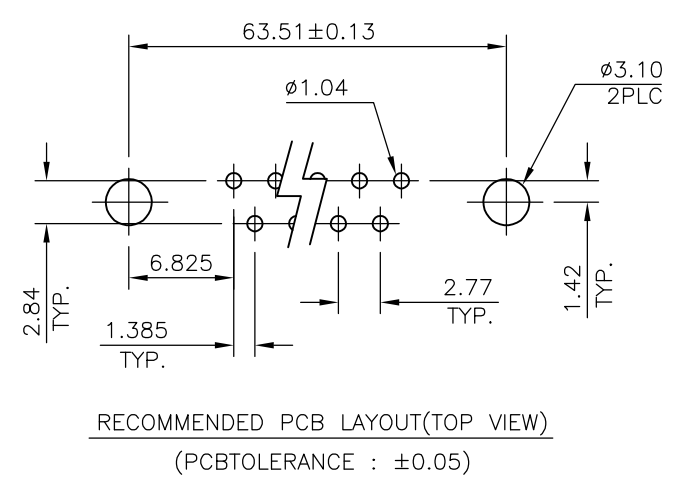
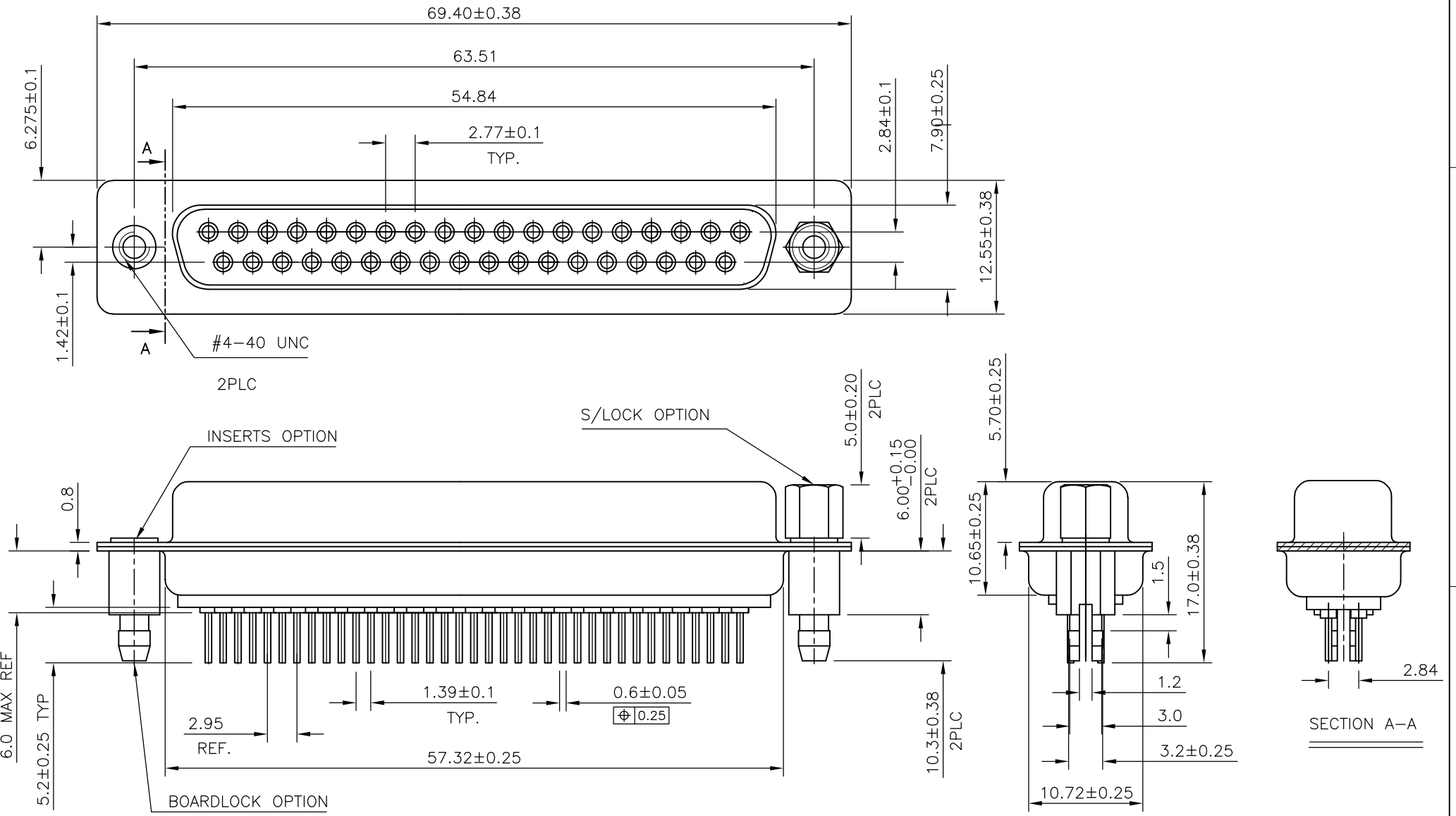


THIS DRAWING IS UNPUBLISHED. RELEASED FOR PUBLICATION APR ,2003.
 © COPYRIGHT 2003 By - ALL RIGHTS RESERVED.

LOC	DIST	REVISIONS					
GP	00	P	LTR	DESCRIPTION	DATE	DWN	APVD
			J	REVISED PER ECO-14-000651	06FEB2014	AP	SB

- MATERIAL**
 HOUSING : THERMOPLASTIC, UL94V-0, BLACK
 CONTACTS : PHOSPHOR BRONZE
 SHELL : STEEL
 SCREW : BRASS.
 BOARD LOCK : BRASS.
 SCREW OF TORQUE : 5 Kg-cm MAX.
- FINISH**
 CONTACT : 15µ" MIN.GOLD PLATING ON CONTACT AREA
 100µ" MIN. TIN PLATING ON SOLDER TAILS
 50µ" MIN. NICKEL UNDERPLATED OVERALL
 SHELL : 100µ" MIN NICKEL PLATING
 SCREW : 50µ" MIN. NICKEL PLATING.
 BOARD LOCK : 50µ" MIN. NICKEL PLATING.
- CHARACTERISTICS**
 CURRENT RATING : 3A
 INSULATION RESISTANCE : 1000MOHMS MIN, 500VDC FOR 2MINS.
 TEMPERATURE RATING : -55DEGC ~ +105DEGC
 VOLTAGE RATING : 250VDC

4 OBSOLETE PARTS: OBSOLETE CIS STREAMLINING PER D.RENAUD/D.SINISI.



4 OBSOLETE	37W D SKT WITH B/L & M3 S/LOCK 15µ" GOLD	4-1634225-2
	37W D SKT WITH B/L & 4-40 S/LOCK 15µ" GOLD	3-1634225-2
4 OBSOLETE	37W D SKT WITH B/L & M3 INSERTS 15µ" GOLD	2-1634225-2
	37W D SKT WITH B/L & 4-40 INSERTS 15µ" GOLD	1-1634225-2
	DESCRIPTION	TE PART NO.

THIS DRAWING IS A CONTROLLED DOCUMENT.		DWN	J.SANDWELL	10APR03	TE Connectivity D-SUB HD20, VERTICAL, 37P SKT CONNECTOR		
DIMENSIONS: mm		CHK	R.DYER	10APR03			
TOLERANCES UNLESS OTHERWISE SPECIFIED:		APVD	F.WHEELER-KING	10APR03	NAME		
0 PLC	± -	PRODUCT SPEC			APPLICATION SPEC		
1 PLC	± 0.25	WEIGHT			SIZE	CAGE CODE	DRAWING NO
2 PLC	± 0.15	MATERIAL			RESTRICTED TO		
3 PLC	± -	FINISH			A3 00779 C-1634225		
4 PLC	± -	CUSTOMER DRAWING			SCALE	SHEET	REV
ANGLES	± -	SCALE			2:1	1 OF 2	J

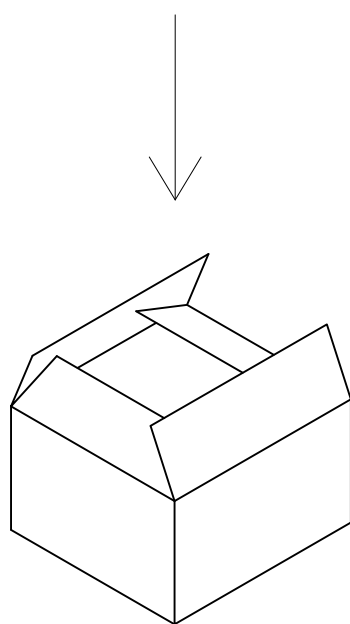
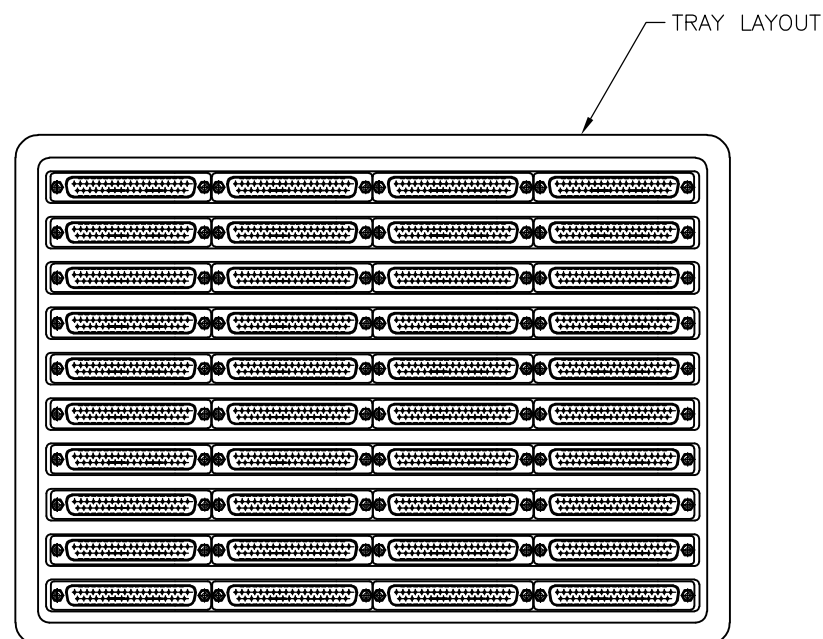
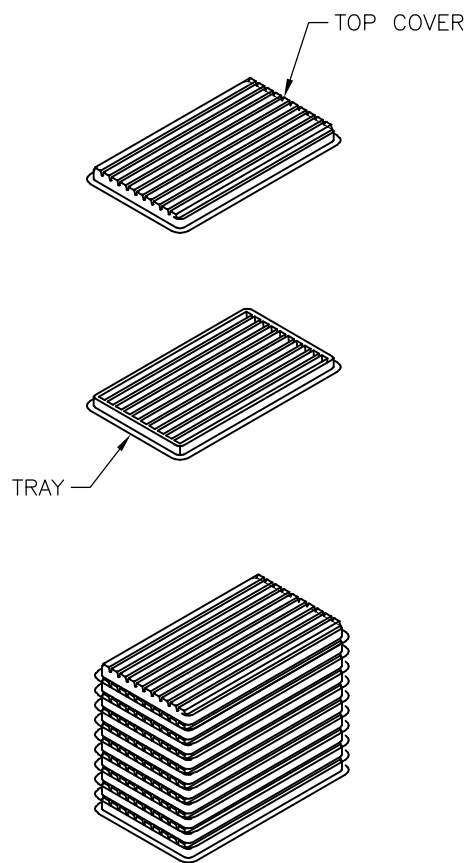
THIS DRAWING IS UNPUBLISHED.

RELEASED FOR PUBLICATION APR , 2003.

© COPYRIGHT 2003 By -

ALL RIGHTS RESERVED.

LOC	DIST	REVISIONS					
GP	00	P	LTR	DESCRIPTION	DATE	DWN	APVD
		-		SEE SHEET 1	-	-	-



MATERIAL
 1 TRAY: PVC
 2 SHIPPING CARTON: CORRUGATED FIBERBOARD

DIMENSIONS
 1 TRAY: L=310, W=230, H=21
 2 SHIPPING CARTON: L=330, W=245, H=160

QUANTITY
 40 PCS/TRAY
 10 TRAY/SHIPPING CARTON

THIS DRAWING IS A CONTROLLED DOCUMENT.		DWN	J. SANDWELL	10APR03	STE TE Connectivity		
DIMENSIONS: mm		CHK	R. DYER	10APR03			
TOLERANCES UNLESS OTHERWISE SPECIFIED:		APVD	F. WHEELER-KING	10APR03	NAME		
0 PLC ± -		PRODUCT SPEC		D-SUB HD20, VERTICAL, 37P SKT CONNECTOR			
1 PLC ± 0.25		APPLICATION SPEC		-			
2 PLC ± 0.15		SIZE	A3	CAGE CODE	00779	DRAWING NO	C=1634225
3 PLC ± -		WEIGHT		RESTRICTED TO			
4 PLC ± -		-		-			
ANGLES ± -		CUSTOMER DRAWING		SCALE	2:1	SHEET	2 OF 2
FINISH		-		REV			J
-		-					