

THIS DRAWING IS UNPUBLISHED. RELEASED FOR PUBLICATION APR ,2003.

© COPYRIGHT 2003 By -

ALL RIGHTS RESERVED.

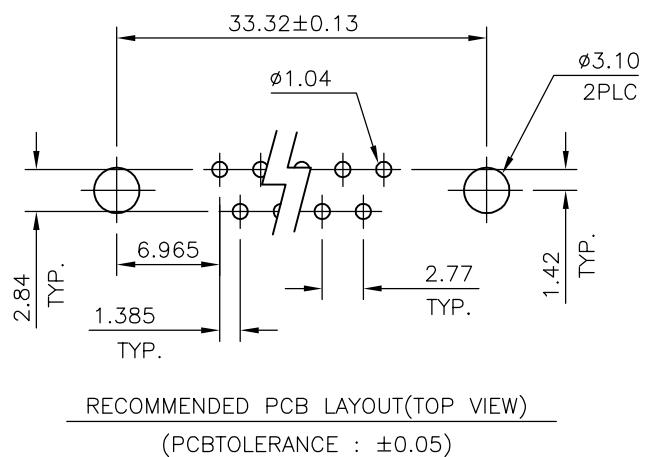
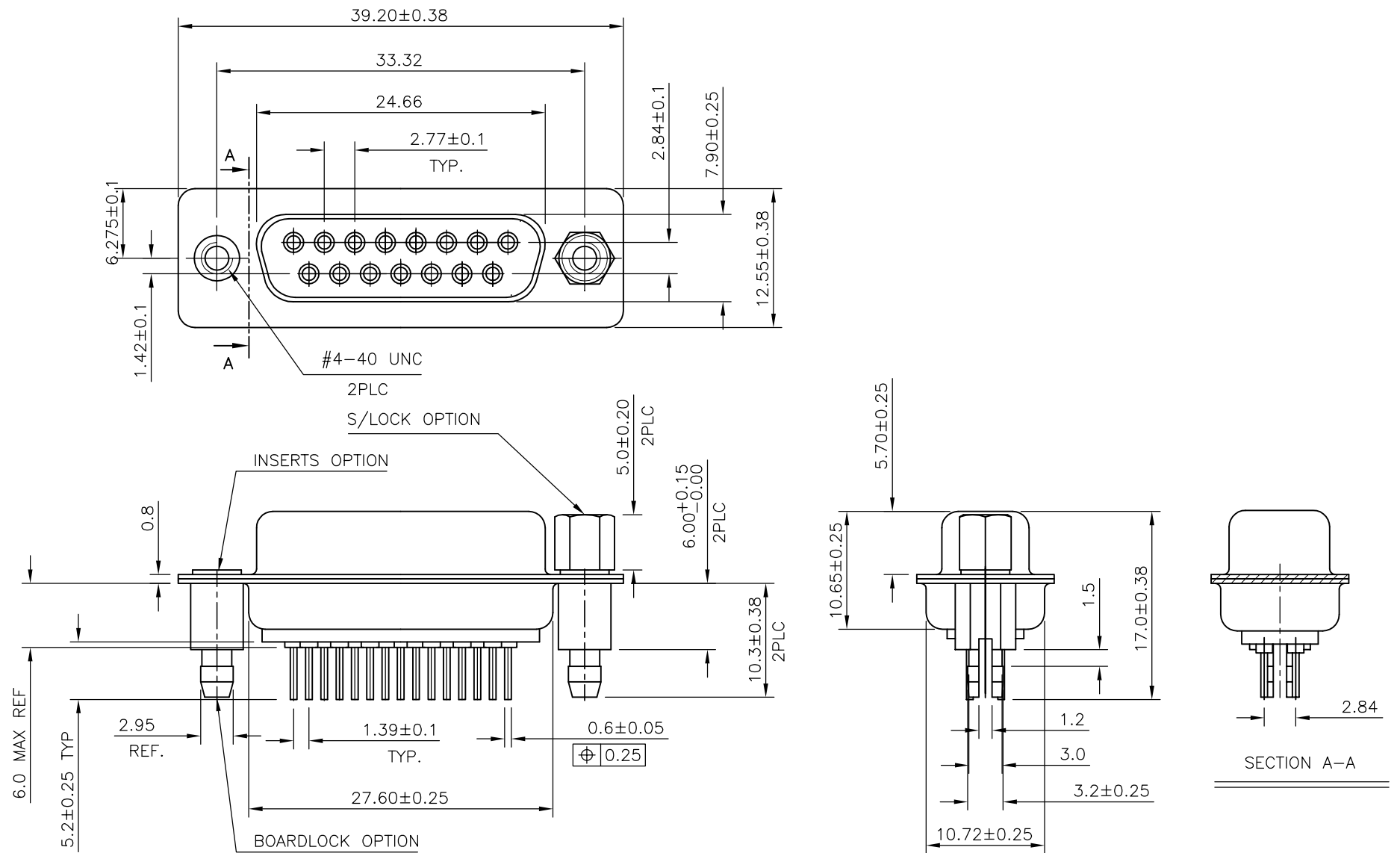
LOC GP DIST 00

REVISIONS

P	LTR	DESCRIPTION	DATE	DWN	APVD
L		REVISED PER ECO-17-012925	21FEB2018	AP	DG

- 1 MATERIAL
HOUSING : THERMOPLASTIC, UL94V-0, BLACK
CONTACTS : PHOSPHOR BRONZE
SHELL : STEEL
SCREW : BRASS.
BOARD LOCK : BRASS.
SCREW OF TORQUE : 5 Kg-cm MAX.
- 2 FINISH
CONTACT : 15μ" MIN.GOLD PLATING ON CONTACT AREA
100μ" MIN. TIN PLATING ON SOLDER TAILS
50μ" MIN. NICKEL UNDERPLATED OVERALL
SHELL : 100μ" MIN NICKEL PLATING
SCREW : 50μ" MIN. NICKEL PLATING.
BOARD LOCK : 50μ" MIN. NICKEL PLATING.
- 3 CHARACTERISTICS
CURRENT RATING : 3A
INSULATION RESISTANCE : 1000MOHMS MIN, 500VDC FOR 2MINS.
TEMPERATURE RATING : -55DEGC ~ +105DEGC
VOLTAGE RATING : 250VDC

4 OBSOLETE PARTS: OBSOLETE CIS STREAMLINING PER D.RENAUD/D.SINISI.



DESCRIPTION	TE PART NO.
OBSOLETE 15W D SKT WITH B/L & M3 S/LOCK 15μ" GOLD	4-1634223-2
SUPERSEDED BY 2301840-1 15W D SKT WITH B/L & 4-40 S/LOCK 15μ" GOLD	3-1634223-2
4 OBSOLETE 15W D SKT WITH B/L & M3 INSERTS 15μ" GOLD	2-1634223-2
OBSOLETE 15W D SKT WITH B/L & 4-40 INSERTS 15μ" GOLD	1-1634223-2

THIS DRAWING IS A CONTROLLED DOCUMENT.		DWN J.SANDWELL 10APR03		STE TE Connectivity	
DIMENSIONS: mm		CHK R.DYER 10APR03			
TOLERANCES UNLESS OTHERWISE SPECIFIED:		APVD F.WHEELER-KING 10APR03		NAME	
0 PLC ± -		PRODUCT SPEC		D-SUB HD20, VERTICAL, 15P SKT CONNECTOR	
1 PLC ± 0.25		APPLICATION SPEC		SIZE	
2 PLC ± 0.15		WEIGHT		CAGE CODE	
3 PLC ± -		CUSTOMER DRAWING		DRAWING NO	
4 PLC ± -		SCALE 2:1		SHEET 1 OF 2	
ANGLES ± -		SHEET 1 OF 2		REV L	
FINISH		RESTRICTED TO		A3 00779 C=1634223	

4

3

2

1

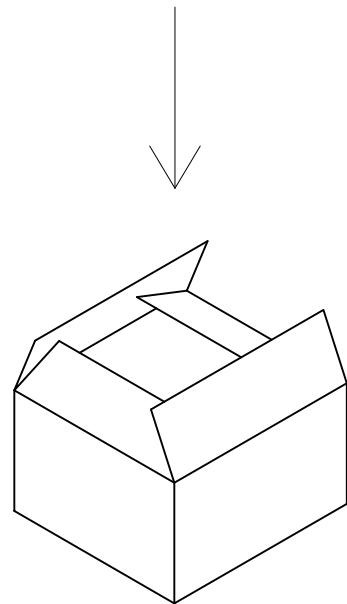
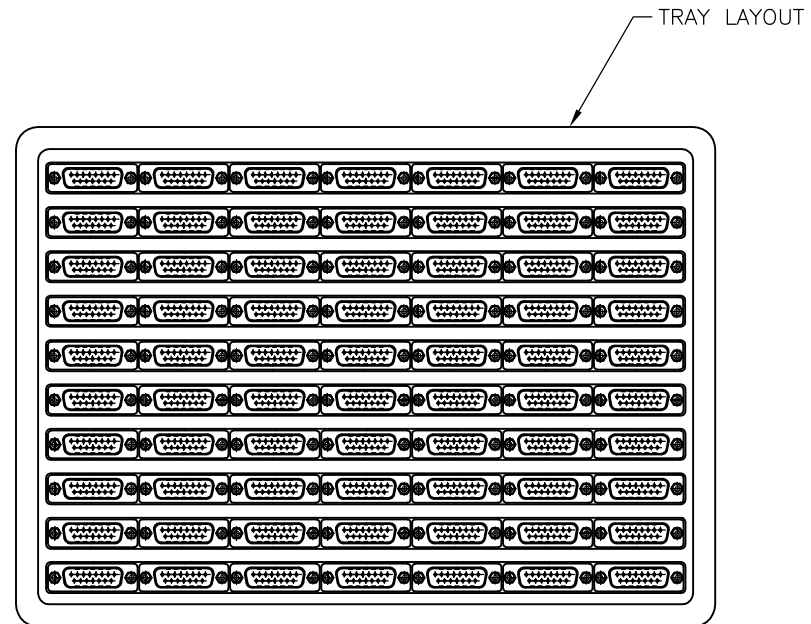
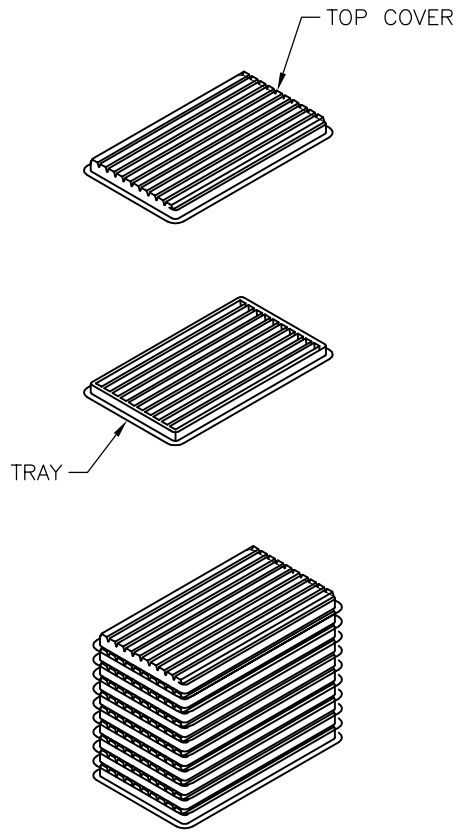
THIS DRAWING IS UNPUBLISHED.

RELEASED FOR PUBLICATION APR ,2003.

© COPYRIGHT 2003 By -

ALL RIGHTS RESERVED.

LOC	DIST	REVISIONS					
GP	00	P	LTR	DESCRIPTION	DATE	DWN	APVD
		-		SEE SHEET 1	-	-	-



- MATERIAL**
- 1 TRAY: PVC
 - 2 SHIPPING CARTON: CORRUGATED FIBERBOARD
- DIMENSIONS**
- 1 TRAY: L=310, W=230, H=21
 - 2 SHIPPING CARTON: L=330, W=245, H=160
- QUANTITY**
- 70 PCS/TRAY
 - 10 TRAY/SHIPPING CARTON

THIS DRAWING IS A CONTROLLED DOCUMENT.		DWN J.SANDWELL 10APR03	STE TE Connectivity		
		CHK R.DYER 10APR03			
DIMENSIONS: mm		APVD F.WHEELER-KING 10APR03	NAME D-SUB HD20, VERTICAL, 15P SKT CONNECTOR		
TOLERANCES UNLESS OTHERWISE SPECIFIED: 0 PLC ± - 1 PLC ± 0.25 2 PLC ± 0.15 3 PLC ± - 4 PLC ± - ANGLES ± -		PRODUCT SPEC -	RESTRICTED TO -		
MATERIAL -		FINISH -	APPLICATION SPEC -	WEIGHT -	SIZE A3
			CAGE CODE 00779	DRAWING NO C=1634223	SCALE 2:1
			CUSTOMER DRAWING		SHEET 2 OF 2
					REV L

Mouser Electronics

Authorized Distributor

Click to View Pricing, Inventory, Delivery & Lifecycle Information:

[TE Connectivity:](#)

[1-1634223-2](#)