

Series 59 – Miniature Sealed Pushbutton Switch

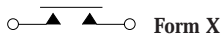


Typical Applications

- Communications
- Instrumentation
- Data processing
- Process control
- Transportation/material handling



actual size



Form X

Features

- Nonspark material
- Wide temperature range:
Up to 125°C (257°F)
- Panel sealed: To IP67
- High environmental specification
- Impact resistant
- Gold contacts

Mounting Information

The Series 59 mounts easily into panels of minimum $\frac{3}{64}$ " and maximum $\frac{1}{8}$ " thickness. Front panel sealing to IP67 is achieved by a sealing 'O' ring fitted into a machined groove on the body of the switch before it is inserted into the panel hole cut out. It is held onto the panel by means of a brass lock nut, tightened down by a $\frac{9}{16}$ " wrench, to a torque of between 1,5 Nm to 3,0 Nm (1.106 f.p. to 2.213 f.p.) to achieve the correct sealing pressure.

A 'D' flat is provided to prevent rotation.

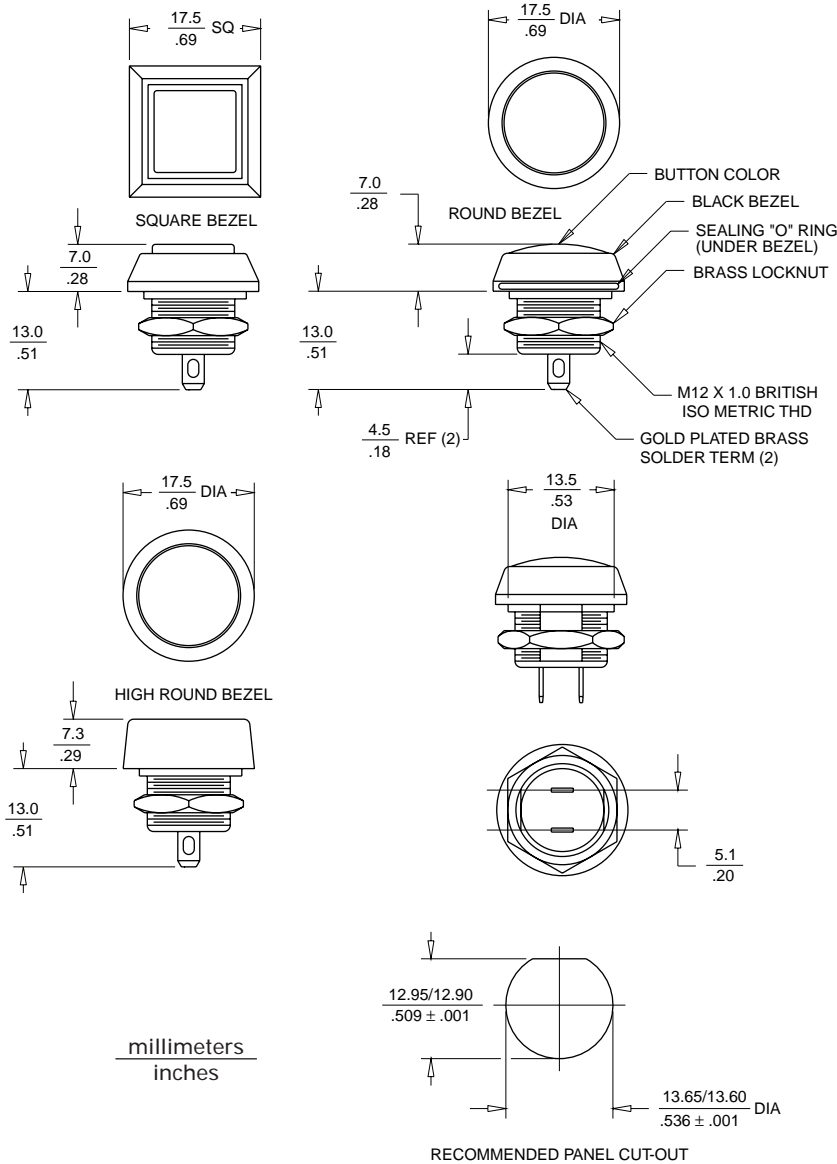
It is recommended the switch cut-out be punched from front of panel.

Description

The Series 59 has been designed as a miniature, rugged, front panel sealed pushbutton switch, ideal for harsh environmental applications in limited space envelopes.

The body of the Series 59 is made of a special high creep strength nonspark zinc alloy, suitable for use in the mining industry and other potentially explosive atmospheres.

This series comes in a standard round bezel version with solder terminals, momentary action switching, and a choice of three button colors. A locknut is supplied with each switch.



millimeters
inches

RECOMMENDED PANEL CUT-OUT

Dielectric strength: 1,000 VAC
 Insulation resistance: 1 G Ω
 Contact resistance (max): 50 m Ω
 Life(max): 500,000 cycles @ max power
 Switching power (max): 16 VAC

Mechanical Characteristics

Travel (nominal): 0.090 in
 Life (max): 600,000 cycles
 Operating Force (nominal): 3 N (10.8 oz)
 Contact Bounce (nominal): 1 mS
 Panel Thickness (max): 0.118 in

Environmental and Physical Data

Ingress protection: IP67 OF IEC 144
 Shock: 100 G
 Operating Temp Range:
 -55°C to +125°C (-67°F to +257°F)
 Body Material: Zinc alloy, black anodized
 Button Material: "PBT"
 Contacts: Gold-plated palladium nickel
 Terminals: Gold-plated brass

Electrical Characteristics

Circuitry	Current	Voltage
SPST-NO-DB	400mA	32 VAC Res
SPST-NO-DB	100mA	50 VDC Res
SPST-NO-DB	125mA	125 VAC Res

Ordering Information

Std. Round Bezel	Square Bezel	High Round Bezel	Button Color
59-111	59-211	59-311	Black
59-112	59-212	59-312	Red
59-113	59-213	59-313	Green

Consult factory for nonstandard options.

1-800-544-3354

Mouser Electronics

Authorized Distributor

Click to View Pricing, Inventory, Delivery & Lifecycle Information:

[ITW Switches:](#)

[59-311](#) [59-313](#) [59-312](#)