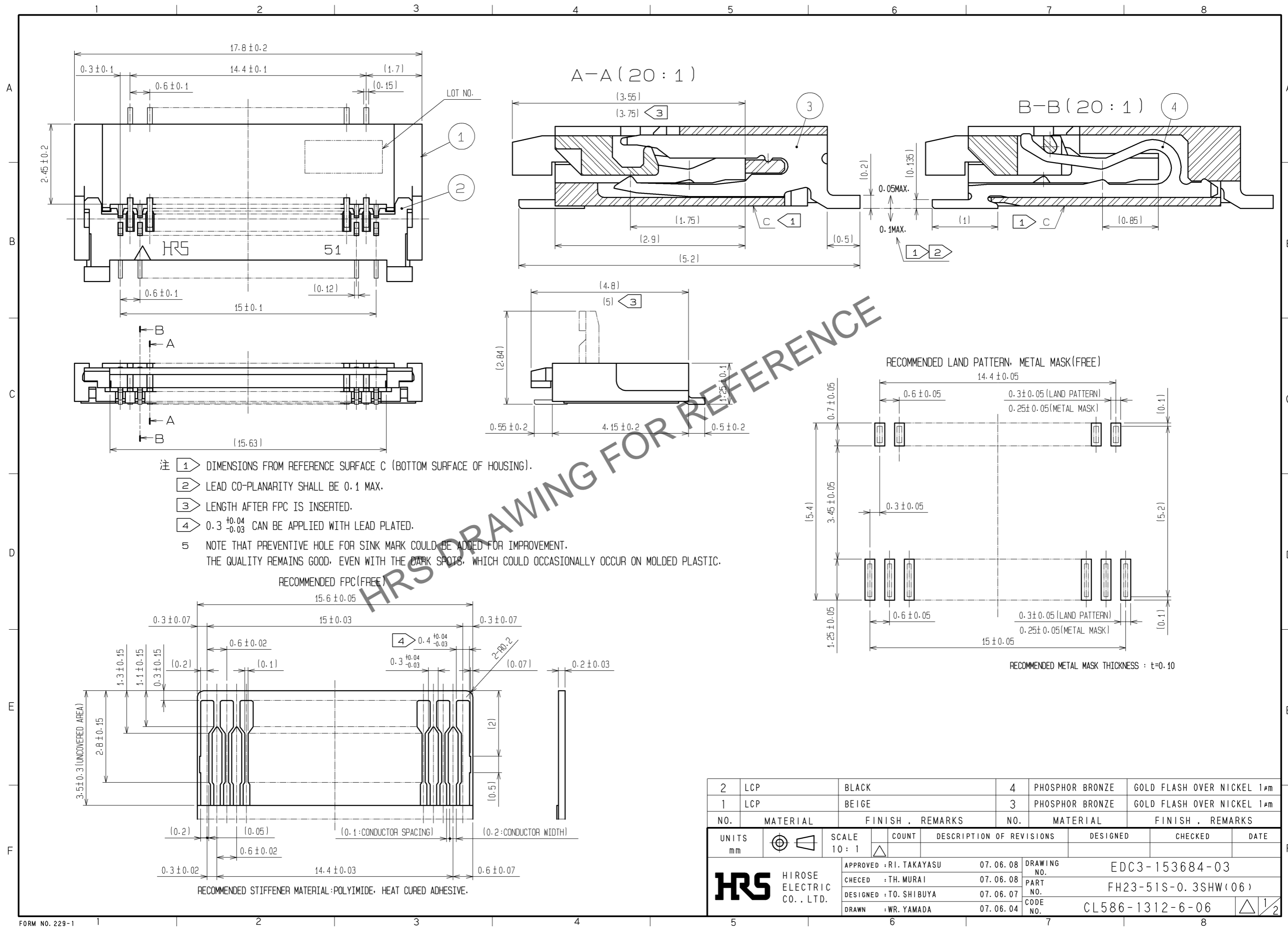
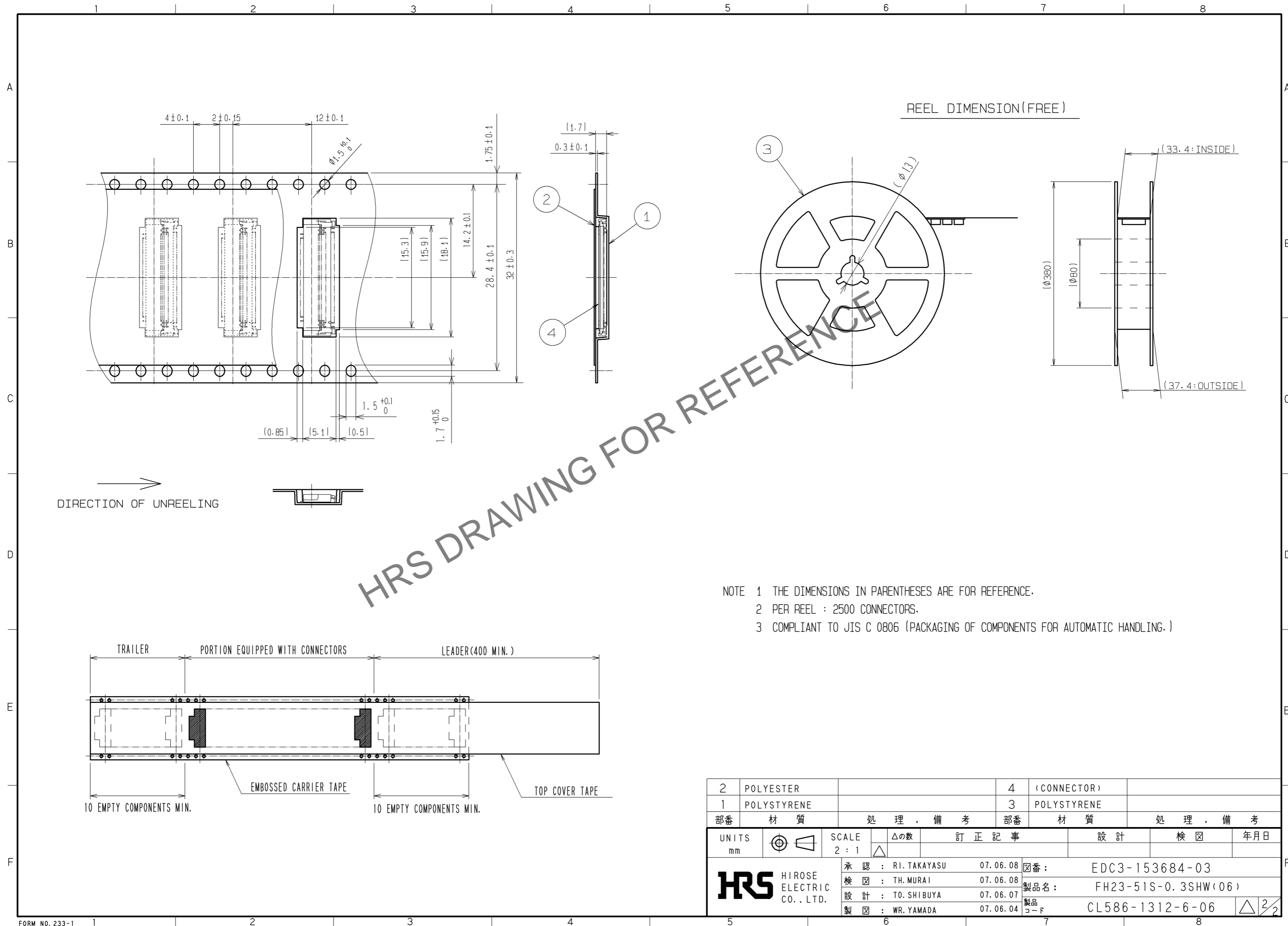


Dec.1.2024 Copyright 2024 HIROSE ELECTRIC CO., LTD. All Rights Reserved.  
In case of consideration for using Automotive equipment / device which demand high reliability, kindly contact our sales window correspondents.



2	LCP	BLACK	4	PHOSPHOR BRONZE	GOLD FLASH OVER NICKEL 1μm		
1	LCP	BEIGE	3	PHOSPHOR BRONZE	GOLD FLASH OVER NICKEL 1μm		
NO.	MATERIAL	FINISH . REMARKS	NO.	MATERIAL	FINISH . REMARKS		
UNITS mm		SCALE 10 : 1	COUNT 	DESCRIPTION OF REVISIONS	DESIGNED	CHECKED	DATE
<b>HRS</b> HIROSE ELECTRIC CO., LTD.		APPROVED : RI. TAKAYASU	07.06.08	DRAWING NO.	EDC3-153684-03		
		CHECED : TH. MURAI	07.06.08	PART NO.	FH23-51S-0.3SHW(06)		
		DESIGNED : TO. SHIBUYA	07.06.07	CODE NO.	CL586-1312-6-06		
		DRAWN : WR. YAMADA	07.06.04				

Dec.1.2024 Copyright 2024 HIROSE ELECTRIC CO., LTD. All Rights Reserved.  
 In case of consideration for using Automotive equipment / device which demand high reliability, kindly contact our sales window correspondents.



- NOTE 1 THE DIMENSIONS IN PARENTHESES ARE FOR REFERENCE.  
 2 PER REEL : 2500 CONNECTORS.  
 3 COMPLIANT TO JIS C 0806 (PACKAGING OF COMPONENTS FOR AUTOMATIC HANDLING.)

2	POLYESTER		4	(CONNECTOR)	
1	POLYSTYRENE		3	POLYSTYRENE	
部番	材質	処理, 備考	部番	材質	処理, 備考
UNITS mm		SCALE 2:1		訂正記事	設計
<b>HRS</b> HIROSE ELECTRIC CO., LTD.		承認 : RI. TAKAYASU 07.06.08	図番 : EDC3-153684-03		
		検 査 : TH. MURAI 07.06.08	製品名 : FH23-51S-0.3SHW(06)		
		設 計 : TO. SHIBUYA 07.06.07	製品コード : CL586-1312-6-06		
		製 図 : WR. YAMADA 07.06.04			

# Mouser Electronics

Authorized Distributor

Click to View Pricing, Inventory, Delivery & Lifecycle Information:

[Hirose Electric:](#)

[FH23-51S-0.3SHW\(06\)](#)