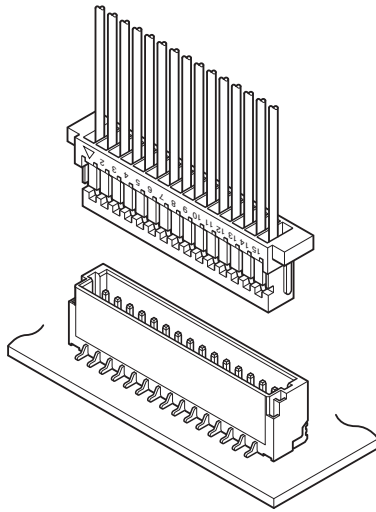




SH CONNECTOR

1.0 mm pitch/Wire-to-Board connectors/Crimp style and Mating style



The SH is the world's first 1.0 mm pitch crimp style connector. It features a compact, low profile design in a wire-to-board configuration. Its unique contact engagement with the housing lance provides excellent performance in the contact insertion process when using smaller diameter wires. In addition, with a high-pressure contact design, the SH contact demonstrates excellent contact reliability providing an assured connection.

- Compact and space-saving
- Housing lance system
- High-pressure contact design for a more assured connection
- Socket compatible with IDC style SR connector

Specifications

- Current rating: 1.0 A AC/DC (AWG #26)
- Voltage rating: 50 V AC/DC
- Temperature range: -25°C to +85°C
(including temperature rise in applying electrical current)
- Contact resistance:
Initial value/ 20 mΩ max.
After environmental tests/ 40 mΩ max.
- Insulation resistance: 100 MΩ min.
- Withstanding voltage:
There shall be no breakdown or flashover while applying 500 VAC for one minute.
- Applicable wire range:
Conductor size/ AWG #32 to AWG #28
Insulation O.D./ φ 0.4 mm to φ 0.8 mm

- * Please refer to the "Handling Precautions for Terminals and Connectors" on our website (listed in the "Technical Documents" column on the Product Information page) before use.
- * RoHS2 compliance
- * Dimensional unit: mm
- * Contact JST for details.

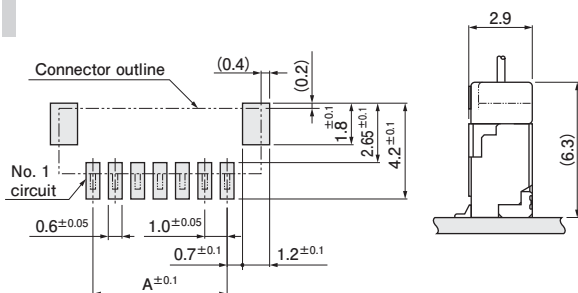
Standards

For information on overseas standard registrations, please refer to the "List of Registered Overseas Standards" on our website (listed in the "Technical Documents" column on the Product Information page).

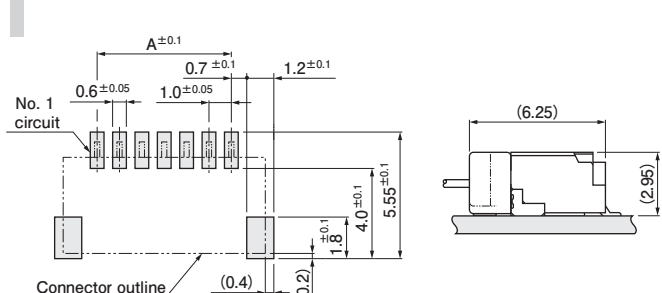
* Specifications registered to overseas standards may differ from the general specifications listed above.

PC board layout and Assembly layout

Top entry type



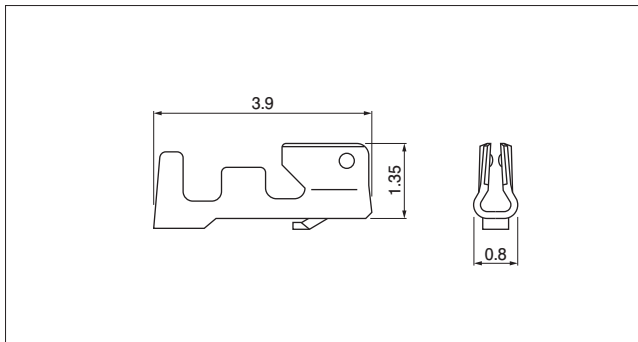
Side entry type



- Note: 1. The PC board layout figure shown is viewed from the connector mounting surface.
2. Dimension A: See "Header" section on page 3.
3. Tolerance for the PCB pattern pitch shall be ± 0.05, and shall not accumulate more than ± 0.1.
4. The above dimensions are reference values. Please contact JST for details.

SH CONNECTOR

Contact



Model No.	Applicable wire range		Q'ty/ reel
	Conductor size AWG (mm ²)	Insulation O.D. (mm)	
SSH-003T-P0.2-H	#32 to #28 (0.032 to 0.081)	0.4 to 0.8	23,000

Material and Surface finish, etc.

Copper alloy, tin-plated

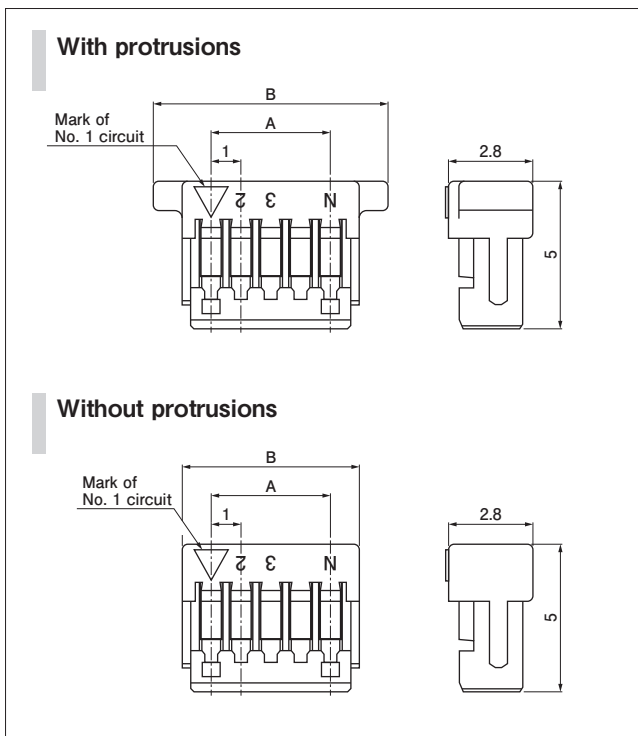
Note: Contact JST for gold-plated product.

Crimping machine

Contact	Crimping machine	Applicator	Crimp applicator with dies
SSH-003T-P0.2-H	AP-K2N	MKS-L-10-3	APLMK SSH/L003-02

Note: Contact JST for fully automatic crimping applicator.

Housing



No. of circuits	Model No.		Dimensions (mm)			Q'ty/ box
	With protrusions	Without protrusions	A	B		
				With protrusions	Without protrusions	
2	SHR-02V-S-B	SHR-02V-S	1.0	5.0	3.0	2,000
3	SHR-03V-S-B	SHR-03V-S	2.0	6.0	4.0	2,000
4	SHR-04V-S-B	SHR-04V-S	3.0	7.0	5.0	2,000
5	SHR-05V-S-B	SHR-05V-S	4.0	8.0	6.0	2,000
6	SHR-06V-S-B	SHR-06V-S	5.0	9.0	7.0	2,000
7	SHR-07V-S-B	SHR-07V-S	6.0	10.0	8.0	2,000
8	SHR-08V-S-B	SHR-08V-S	7.0	11.0	9.0	2,000
9	SHR-09V-S-B	SHR-09V-S	8.0	12.0	10.0	2,000
10	SHR-10V-S-B	SHR-10V-S	9.0	13.0	11.0	2,000
11	SHR-11V-S-B	SHR-11V-S	10.0	14.0	12.0	2,000
12	SHR-12V-S-B	SHR-12V-S	11.0	15.0	13.0	2,000
13	SHR-13V-S-B	SHR-13V-S	12.0	16.0	14.0	2,000
14	SHR-14V-S-B	SHR-14V-S	13.0	17.0	15.0	2,000
15	SHR-15V-S-B	SHR-15V-S	14.0	18.0	16.0	2,000
16	SHR-16V-S-B	—	15.0	19.0	—	1,500
20	SHR-20V-S-B	—	19.0	23.0	—	1,000

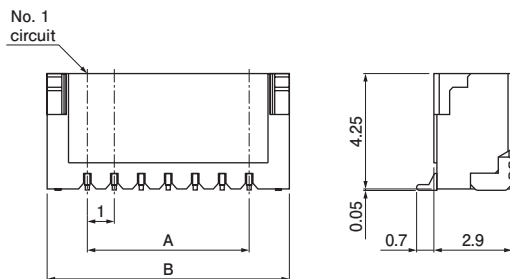
Material and Surface finish, etc.

PBT, natural (white)

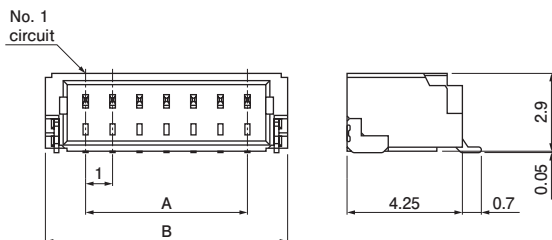
Note: For flame retardant grade of resin material used, please refer to the "List of Registered Overseas Standards" on our website (listed in the "Technical Documents" column on the Product Information page).

Header

Top entry type



Side entry type



No. of circuits	Model No.		Dimensions (mm)		Q'ty/reel	
	Top entry type	Side entry type	A	B	Top entry type	Side entry type
2	BM02B-SRSS-TB	SM02B-SRSS-TB	1.0	4.0	1,500	3,000
3	BM03B-SRSS-TB	SM03B-SRSS-TB	2.0	5.0	1,500	3,000
4	BM04B-SRSS-TB	SM04B-SRSS-TB	3.0	6.0	1,500	3,000
5	BM05B-SRSS-TB	SM05B-SRSS-TB	4.0	7.0	1,500	3,000
6	BM06B-SRSS-TB	SM06B-SRSS-TB	5.0	8.0	1,500	3,000
7	BM07B-SRSS-TB	SM07B-SRSS-TB	6.0	9.0	1,500	3,000
8	BM08B-SRSS-TB	SM08B-SRSS-TB	7.0	10.0	1,500	3,000
9	BM09B-SRSS-TB	SM09B-SRSS-TB	8.0	11.0	1,500	3,000
10	BM10B-SRSS-TB	SM10B-SRSS-TB	9.0	12.0	1,500	3,000
11	BM11B-SRSS-TB	SM11B-SRSS-TB	10.0	13.0	1,500	3,000
12	BM12B-SRSS-TB	SM12B-SRSS-TB	11.0	14.0	1,500	3,000
13	BM13B-SRSS-TB	SM13B-SRSS-TB	12.0	15.0	1,500	3,000
14	BM14B-SRSS-TB	SM14B-SRSS-TB	13.0	16.0	1,500	3,000
15	BM15B-SRSS-TB	SM15B-SRSS-TB	14.0	17.0	1,500	3,000
16	BM16B-SRSS-TB	—	15.0	18.0	1,500	—
20	—	SM20B-SRSS-TB	19.0	22.0	—	3,000

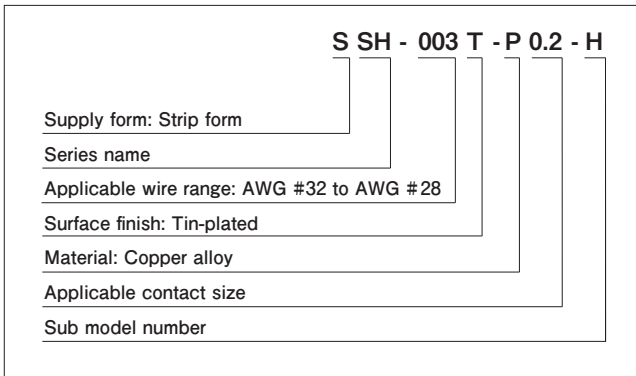
Material and Surface finish, etc.

Base contact: Copper alloy, tin-plated
 Base housing: PA (Heat resistance) , natural (ivory)
 Reinforcement: Copper alloy, tin-plated

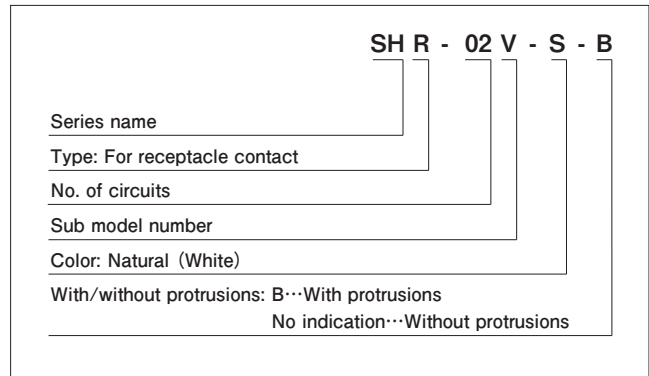
- Note: 1. This product displays (LF) (SN) on a label.
 2. This product is supplied on embossed tape and reel packaging.
 Top-entry headers with suction tape are also available.
 Please contact JST for details.
 3. Contact JST for gold-plated product.
 4. The SH header is compatible with SR series IDC style socket.
 5. For flame retardant grade of resin material used, please refer to the "List of Registered Overseas Standards" on our website (listed in the "Technical Documents" column on the Product Information page).

Model number allocation

Contact



Housing



Header

