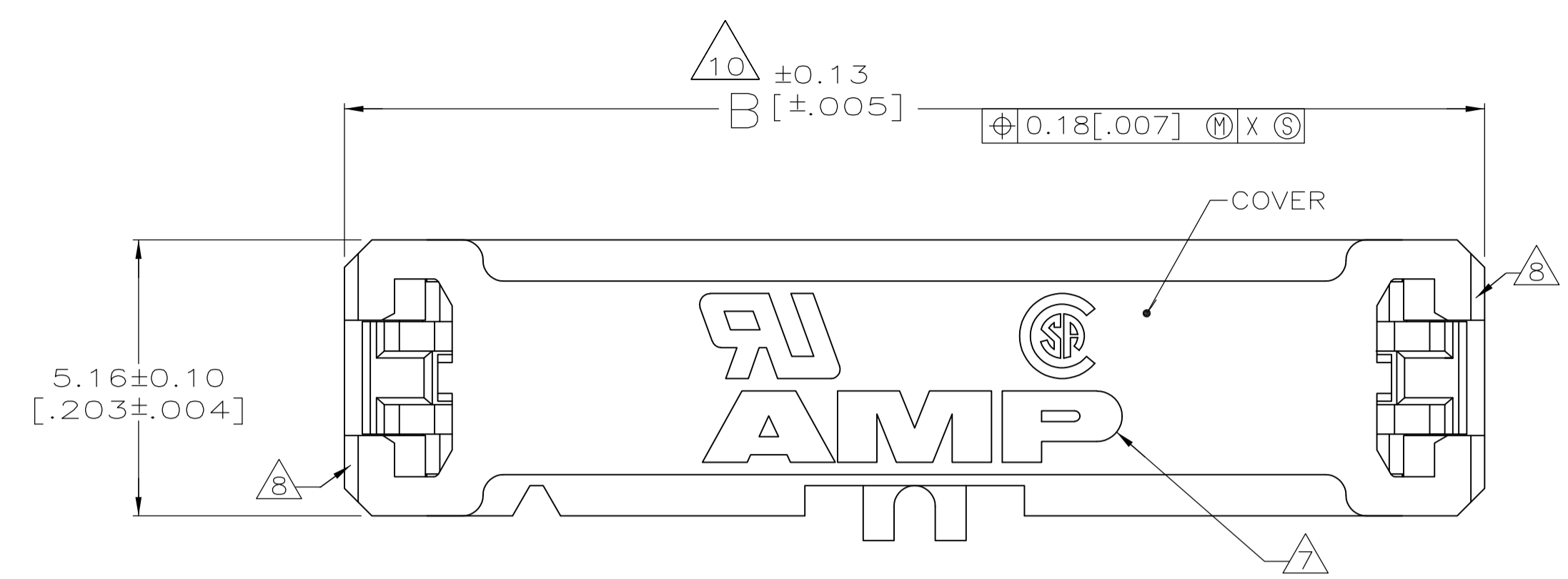
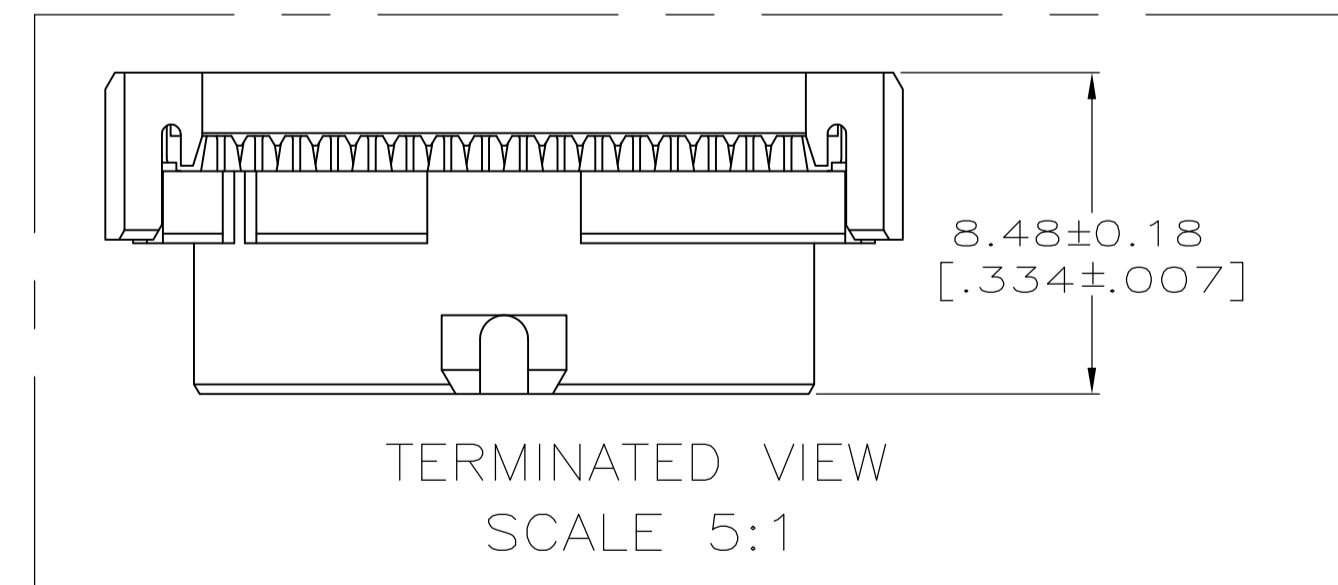
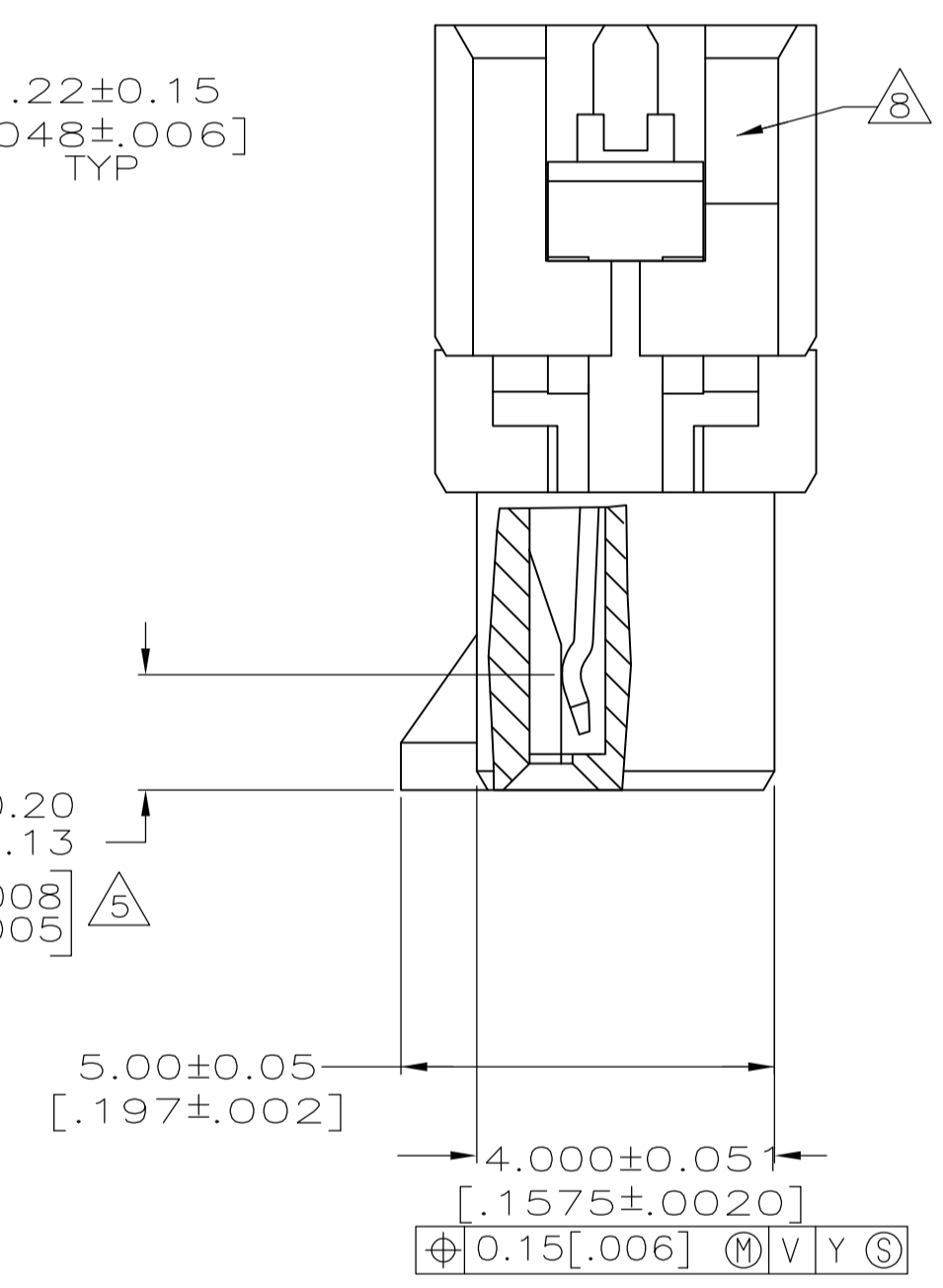
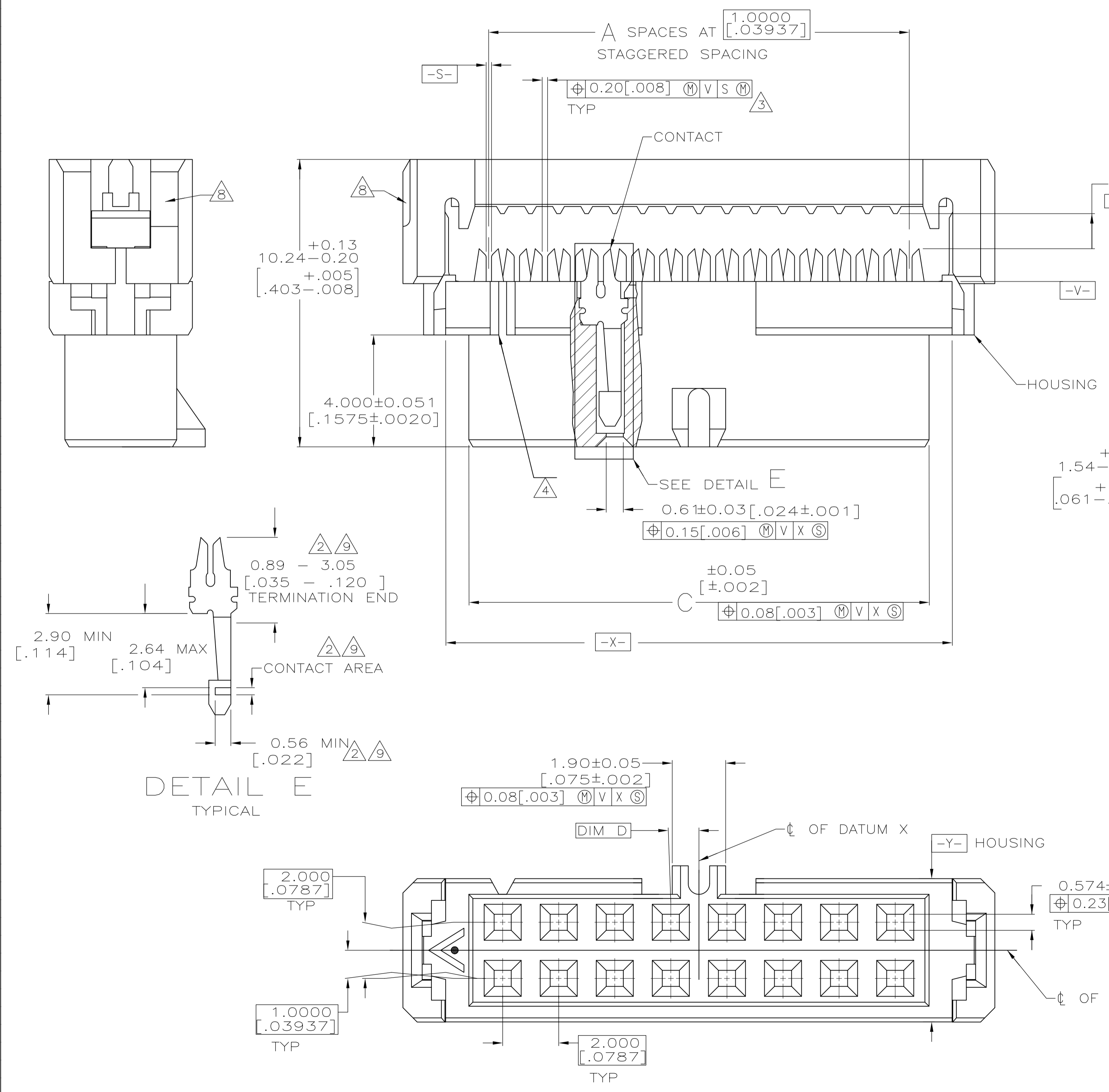


REVISONS		DATE	BY	APVD
NO	DESCRIPTION			
L2	REVISED PER ECO-11-005033	23MAR11	RK	HMR



- 1 MOLDED PARTS: POLYESTER, UL RATED 94V-0, BLACK.  
CONTACTS: BERYLLIUM COPPER.
- 2 2.54 μm [.000100] MIN TIN-LEAD ON TERMINATION END,  
0.76 μm [.000030] MIN GOLD ON CONTACT AREA, ALL OVER  
1.27 μm [.000050] MIN NICKEL.
- 3 POSITION TOLERANCE APPLIES 0.76 [.030] ABOVE DATUM V.
- 4 POSITION NUMBER 1 INDICATOR.
- 5 ELECTRICAL ENGAGEMENT ZONE.
- 6 RECOMMENDED 28 AWG RIBBON CABLE, 0.61 - 0.97 [.024 - .038]  
THICK PVC, 1.0000 [.03937] PITCH.  
AMP LOGO ORIENTATION IS OPTIONAL.
- 7 RECESS ON EACH END, OPPOSITE CORNER.
- 8 0.13 μm [.000005] MIN GOLD ON TERMINATION END,  
0.76 μm [.000030] MIN GOLD ON CONTACT AREA, ALL OVER  
1.27 μm [.000050] MIN NICKEL.
- 9 MOLD GATE PROJECTION ON EITHER END OF COVER TO BE  
EXCLUDED FROM DIMENSION 'B' MEASUREMENT.



CONTACT FINISH	D	C	B	A	NO OF POSN	PART NO
1.0000	12.40	17.15	11	12	3-111623-1	
.03937	[.488]	[.675]				
1.0000	8.41	13.18	7	8	3-111623-0	
.03937	[.331]	[.519]				
0.0000	22.40	27.18	21	22	2-111623-9	
.00000	[.882]	[1.070]				
0.0000	34.42	39.17	33	34	2-111623-8	
.00000	[1.355]	[1.542]				
1.0000	24.41	29.18	23	24	2-111623-7	
.03937	[.961]	[1.149]				
0.0000	50.39	55.17	49	50	2-111623-6	
.00000	[1.984]	[2.172]				
1.0000	44.40	49.17	43	44	2-111623-5	
.03937	[1.748]	[1.936]				
1.0000	40.41	45.19	39	40	2-111623-4	
.03937	[1.591]	[1.779]				
0.0000	30.40	35.18	29	30	2-111623-3	
.00000	[1.197]	[1.385]				
0.0000	26.42	31.17	25	26	2-111623-2	
.00000	[1.040]	[1.227]				
1.0000	20.40	25.17	19	20	2-111623-1	
.03937	[.803]	[.991]				
1.0000	16.41	21.18	15	16	2-111623-0	
.03937	[.646]	[.834]				
0.0000	14.40	19.18	13	14	1-111623-9	
.00000	[.567]	[.755]				
0.0000	10.41	15.16	9	10	1-111623-8	
.00000	[.410]	[.597]				
1.0000	12.40	17.15	11	12	1-111623-7	
.03937	[.488]	[.675]				
1.0000	8.41	13.18	7	8	1-111623-6	
.03937	[.331]	[.519]				
0.0000	22.40	27.18	21	22	1-111623-5	
.00000	[.882]	[1.070]				
1.0000	68.40	73.18	67	68	1-111623-4	
.03937	[2.693]	[2.881]				
1.0000	64.41	69.16	63	64	1-111623-3	
.03937	[2.536]	[2.723]				
1.0000	60.40	65.18	59	60	1-111623-2	
.03937	[2.378]	[2.566]				
0.0000	50.39	55.17	49	50	1-111623-1	
.00000	[1.984]	[2.172]				
1.0000	44.40	49.17	43	44	1-111623-0	
.03937	[1.748]	[1.936]				
1.0000	40.41	45.19	39	40	111623-9	
.03937	[1.591]	[1.779]				
0.0000	34.42	39.17	33	34	111623-8	
.00000	[1.355]	[1.542]				
0.0000	30.40	35.18	29	30	111623-7	
.00000	[1.197]	[1.385]				
0.0000	26.42	31.17	25	26	111623-6	
.00000	[1.040]	[1.227]				
1.0000	24.41	29.18	23	24	111623-5	
.03937	[.961]	[1.149]				
1.0000	20.40	25.17	19	20	111623-4	
.03937	[.803]	[.991]				
1.0000	16.41	21.18	15	16	111623-3	
.03937	[.646]	[.834]				
0.0000	14.40	19.18	13	14	111623-2	
.00000	[.567]	[.755]				
0.0000	10.41	15.16	9	10	111623-1	
.00000	[.410]	[.597]				

THIS DRAWING IS A CONTROLLED DOCUMENT. DIMENSIONS: mm [INCHES]. TOLERANCES UNLESS OTHERWISE SPECIFIED: 0 PLC ± -, 1 PLC ± .008 [.003], 2 PLC ± .008 [.003], 3 PLC ± .008 [.003], 4 PLC ± .008 [.003]. MATERIAL: CONTACTS: SEE TABLE. FINISH: CONTACTS: SEE TABLE.

DIN C. OBERMAN 02-21-92  
CHK: J. McCLINTON 3-9-92  
APVD: NAME

RECEPTACLE ASSY, POLARIZED, 2mm CL, AMP-LATCH

PRODUCT SPEC: 108-1372  
APPLICATION SPEC: -

SIZE: A1  
CAGE CODE: 00779  
DRAWING NO: 111623  
RESTRICTED TO: -

CUSTOMER DRAWING SCALE: 10:1 SHEET: 1 OF 1 REV: L2

# Mouser Electronics

Authorized Distributor

Click to View Pricing, Inventory, Delivery & Lifecycle Information:

[TE Connectivity:](#)

[1-111623-9](#)