

74HC2G17; 74HCT2G17

Dual non-inverting Schmitt trigger

Rev. 01 — 6 October 2006

Product data sheet

1. General description

The 74HC2G17; 74HCT2G17 is a high-speed Si-gate CMOS device.

The 74HC2G17; 74HCT2G17 provides two non-inverting Schmitt trigger buffers. They are capable of transforming slowly changing input signals into sharply defined, jitter-free output signals.

The inputs switch at different points for positive and negative-going signals. The difference between the positive voltage V_{T+} and the negative voltage V_{T-} is defined as the input hysteresis voltage V_H .

2. Features

- Wide supply voltage range from 2.0 V to 6.0 V
- Complies with JEDEC standard no. 7A
- High noise immunity
- ESD protection:
 - ◆ HBM JESD22-A114-D exceeds 2000 V
 - ◆ MM JESD22-A115-A exceeds 200 V
- Low power dissipation
- Balanced propagation delays
- Unlimited input rise and fall times
- Multiple package options
- Specified from $-40\text{ }^{\circ}\text{C}$ to $+85\text{ }^{\circ}\text{C}$ and $-40\text{ }^{\circ}\text{C}$ to $+125\text{ }^{\circ}\text{C}$

3. Applications

- Wave and pulse shaper for highly noisy environments
- Astable multivibrators
- Monostable multivibrators

4. Ordering information

Table 1. Ordering information

| Type number | Package | | | Version |
|-------------|-------------------|-------|--|---------|
| | Temperature range | Name | Description | |
| 74HC2G17GW | -40 °C to +125 °C | SC-88 | plastic surface-mounted package; 6 leads | SOT363 |
| 74HC2G17GV | -40 °C to +125 °C | SC-74 | plastic surface-mounted package (TSOP6); 6 leads | SOT457 |
| 74HCT2G17GW | -40 °C to +125 °C | SC-88 | plastic surface-mounted package; 6 leads | SOT363 |
| 74HCT2G17GV | -40 °C to +125 °C | SC-74 | plastic surface-mounted package (TSOP6); 6 leads | SOT457 |

5. Marking

Table 2. Marking

| Type number | Marking code |
|-------------|--------------|
| 74HC2G17GW | HV |
| 74HC2G17GV | HV |
| 74HCT2G17GW | TV |
| 74HCT2G17GV | TV |

6. Functional diagram

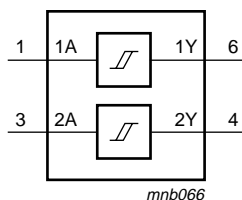


Fig 1. Logic symbol

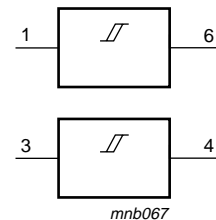


Fig 2. IEC logic symbol

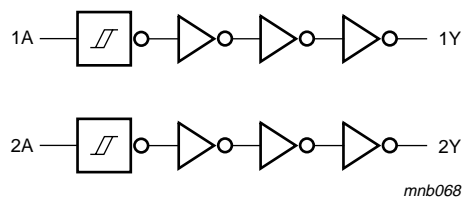


Fig 3. Logic diagram

7. Pinning information

7.1 Pinning

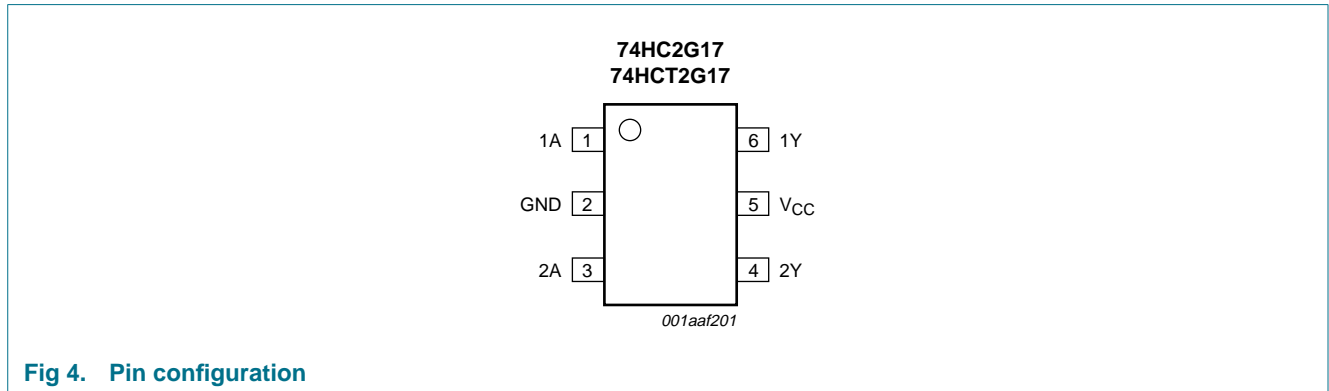


Fig 4. Pin configuration

7.2 Pin description

Table 3. Pin description

| Symbol | Pin | Description |
|-----------------|-----|----------------|
| 1A | 1 | data input |
| GND | 2 | ground (0 V) |
| 2A | 3 | data input |
| 2Y | 4 | data output |
| V _{CC} | 5 | supply voltage |
| 1Y | 6 | data output |

8. Functional description

Table 4. Function table^[1]

| Input | Output |
|-------|--------|
| nA | nY |
| L | L |
| H | H |

[1] H = HIGH voltage level;
L = LOW voltage level.

9. Limiting values

Table 5. Limiting values

In accordance with the Absolute Maximum Rating System (IEC 60134). Voltages are referenced to GND (ground = 0 V).

| Symbol | Parameter | Conditions | Min | Max | Unit |
|-----------|-------------------------|--|-------|------|------|
| V_{CC} | supply voltage | | -0.5 | +7.0 | V |
| I_{IK} | input clamping current | $V_I < -0.5\text{ V}$ or $V_I > V_{CC} + 0.5\text{ V}$ | [1] - | ±20 | mA |
| I_{OK} | output clamping current | $V_O < -0.5\text{ V}$ or $V_O > V_{CC} + 0.5\text{ V}$ | [1] - | ±20 | mA |
| I_O | output current | $V_O = -0.5\text{ V}$ to $V_{CC} + 0.5\text{ V}$ | [1] - | ±25 | mA |
| I_{CC} | supply current | | [1] - | 50 | mA |
| I_{GND} | ground current | | [1] - | -50 | mA |
| T_{stg} | storage temperature | | -65 | +150 | °C |
| P_{tot} | total power dissipation | | [2] - | 250 | mW |

[1] The minimum input and output voltage ratings may be exceeded if the input and output current ratings are observed.

[2] For SC-88 and SC-74 packages: above 87.5 °C the value of P_{tot} derates linearly with 4.0 mW/K.

10. Recommended operating conditions

Table 6. Recommended operating conditions

| Symbol | Parameter | Conditions | Min | Typ | Max | Unit |
|-----------------------|---------------------|------------|-----|-----|----------|------|
| Type 74HC2G17 | | | | | | |
| V_{CC} | supply voltage | | 2.0 | 5.0 | 6.0 | V |
| V_I | input voltage | | 0 | - | V_{CC} | V |
| V_O | output voltage | | 0 | - | V_{CC} | V |
| T_{amb} | ambient temperature | | -40 | +25 | +125 | °C |
| Type 74HCT2G17 | | | | | | |
| V_{CC} | supply voltage | | 4.5 | 5.0 | 5.5 | V |
| V_I | input voltage | | 0 | - | V_{CC} | V |
| V_O | output voltage | | 0 | - | V_{CC} | V |
| T_{amb} | ambient temperature | | -40 | +25 | +125 | °C |

11. Static characteristics

Table 7. Static characteristics for 74HC2G17

At recommended operating conditions; voltages are referenced to GND (ground = 0 V).

| Symbol | Parameter | Conditions | Min | Typ | Max | Unit |
|--|---------------------------|--|------|------|-----|------|
| $T_{amb} = 25\text{ °C}$ | | | | | | |
| V_{OH} | HIGH-level output voltage | $V_I = V_{IH}$ or V_{IL} | | | | |
| | | $I_O = -20\text{ }\mu\text{A}$; $V_{CC} = 2.0\text{ V}$ | 1.9 | 2.0 | - | V |
| | | $I_O = -20\text{ }\mu\text{A}$; $V_{CC} = 4.5\text{ V}$ | 4.4 | 4.5 | - | V |
| | | $I_O = -20\text{ }\mu\text{A}$; $V_{CC} = 6.0\text{ V}$ | 5.9 | 6.0 | - | V |
| | | $I_O = -4.0\text{ mA}$; $V_{CC} = 4.5\text{ V}$ | 4.18 | 4.32 | - | V |
| | | $I_O = -5.2\text{ mA}$; $V_{CC} = 6.0\text{ V}$ | 5.68 | 5.81 | - | V |

Table 7. Static characteristics for 74HC2G17 ...continued

At recommended operating conditions; voltages are referenced to GND (ground = 0 V).

| Symbol | Parameter | Conditions | Min | Typ | Max | Unit |
|---|---------------------------|---|------|------|-----------|---------------|
| V_{OL} | LOW-level output voltage | $V_I = V_{IH}$ or V_{IL} | | | | |
| | | $I_O = 20\ \mu\text{A}; V_{CC} = 2.0\ \text{V}$ | - | 0 | 0.1 | V |
| | | $I_O = 20\ \mu\text{A}; V_{CC} = 4.5\ \text{V}$ | - | 0 | 0.1 | V |
| | | $I_O = 20\ \mu\text{A}; V_{CC} = 6.0\ \text{V}$ | - | 0 | 0.1 | V |
| | | $I_O = 4.0\ \text{mA}; V_{CC} = 4.5\ \text{V}$ | - | 0.15 | 0.26 | V |
| | | $I_O = 5.2\ \text{mA}; V_{CC} = 6.0\ \text{V}$ | - | 0.16 | 0.26 | V |
| I_I | input leakage current | $V_I = \text{GND}$ or $V_{CC}; V_{CC} = 6.0\ \text{V}$ | - | - | ± 0.1 | μA |
| I_{CC} | supply current | $V_I = \text{GND}$ or $V_{CC}; I_O = 0\ \text{A}; V_{CC} = 6.0\ \text{V}$ | - | - | 1.0 | μA |
| C_I | input capacitance | | - | 2.0 | - | pF |
| $T_{\text{amb}} = -40\ \text{°C}$ to $+85\ \text{°C}$ | | | | | | |
| V_{OH} | HIGH-level output voltage | $V_I = V_{IH}$ or V_{IL} | | | | |
| | | $I_O = -20\ \mu\text{A}; V_{CC} = 2.0\ \text{V}$ | 1.9 | - | - | V |
| | | $I_O = -20\ \mu\text{A}; V_{CC} = 4.5\ \text{V}$ | 4.4 | - | - | V |
| | | $I_O = -20\ \mu\text{A}; V_{CC} = 6.0\ \text{V}$ | 5.9 | - | - | V |
| | | $I_O = -4.0\ \text{mA}; V_{CC} = 4.5\ \text{V}$ | 4.13 | - | - | V |
| | | $I_O = -5.2\ \text{mA}; V_{CC} = 6.0\ \text{V}$ | 5.63 | - | - | V |
| V_{OL} | LOW-level output voltage | $V_I = V_{IH}$ or V_{IL} | | | | |
| | | $I_O = 20\ \mu\text{A}; V_{CC} = 2.0\ \text{V}$ | - | - | 0.1 | V |
| | | $I_O = 20\ \mu\text{A}; V_{CC} = 4.5\ \text{V}$ | - | - | 0.1 | V |
| | | $I_O = 20\ \mu\text{A}; V_{CC} = 6.0\ \text{V}$ | - | - | 0.1 | V |
| | | $I_O = 4.0\ \text{mA}; V_{CC} = 4.5\ \text{V}$ | - | - | 0.33 | V |
| | | $I_O = 5.2\ \text{mA}; V_{CC} = 6.0\ \text{V}$ | - | - | 0.33 | V |
| I_I | input leakage current | $V_I = \text{GND}$ or $V_{CC}; V_{CC} = 6.0\ \text{V}$ | - | - | ± 1.0 | μA |
| I_{CC} | supply current | $V_I = \text{GND}$ or $V_{CC}; I_O = 0\ \text{A}; V_{CC} = 6.0\ \text{V}$ | - | - | 10.0 | μA |
| $T_{\text{amb}} = -40\ \text{°C}$ to $+125\ \text{°C}$ | | | | | | |
| V_{OH} | HIGH-level output voltage | $V_I = V_{IH}$ or V_{IL} | | | | |
| | | $I_O = -20\ \mu\text{A}; V_{CC} = 2.0\ \text{V}$ | 1.9 | - | - | V |
| | | $I_O = -20\ \mu\text{A}; V_{CC} = 4.5\ \text{V}$ | 4.4 | - | - | V |
| | | $I_O = -20\ \mu\text{A}; V_{CC} = 6.0\ \text{V}$ | 5.9 | - | - | V |
| | | $I_O = -4.0\ \text{mA}; V_{CC} = 4.5\ \text{V}$ | 3.7 | - | - | V |
| | | $I_O = -5.2\ \text{mA}; V_{CC} = 6.0\ \text{V}$ | 5.2 | - | - | V |

Table 7. Static characteristics for 74HC2G17 ...continued

At recommended operating conditions; voltages are referenced to GND (ground = 0 V).

| Symbol | Parameter | Conditions | Min | Typ | Max | Unit |
|----------|--------------------------|---|-----|-----|-----------|---------------|
| V_{OL} | LOW-level output voltage | $V_I = V_{IH}$ or V_{IL} | | | | |
| | | $I_O = 20 \mu\text{A}; V_{CC} = 2.0 \text{ V}$ | - | - | 0.1 | V |
| | | $I_O = 20 \mu\text{A}; V_{CC} = 4.5 \text{ V}$ | - | - | 0.1 | V |
| | | $I_O = 20 \mu\text{A}; V_{CC} = 6.0 \text{ V}$ | - | - | 0.1 | V |
| | | $I_O = 4.0 \text{ mA}; V_{CC} = 4.5 \text{ V}$ | - | - | 0.4 | V |
| | | $I_O = 5.2 \text{ mA}; V_{CC} = 6.0 \text{ V}$ | - | - | 0.4 | V |
| I_I | input leakage current | $V_I = \text{GND}$ or $V_{CC}; V_{CC} = 6.0 \text{ V}$ | - | - | ± 1.0 | μA |
| I_{CC} | supply current | $V_I = \text{GND}$ or $V_{CC}; I_O = 0 \text{ A}; V_{CC} = 6.0 \text{ V}$ | - | - | 20.0 | μA |

Table 8. Static characteristics for 74HCT2G17

At recommended operating conditions; voltages are referenced to GND (ground = 0 V).

| Symbol | Parameter | Conditions | Min | Typ | Max | Unit |
|---|---------------------------|---|------|------|-----------|---------------|
| $T_{amb} = 25 \text{ }^\circ\text{C}$ | | | | | | |
| V_{OH} | HIGH-level output voltage | $V_I = V_{IH}$ or $V_{IL}; V_{CC} = 4.5 \text{ V}$ | | | | |
| | | $I_O = -20 \mu\text{A}$ | 4.4 | 4.5 | - | V |
| | | $I_O = -4.0 \text{ mA}$ | 4.18 | 4.32 | - | V |
| V_{OL} | LOW-level output voltage | $V_I = V_{IH}$ or $V_{IL}; V_{CC} = 4.5 \text{ V}$ | | | | |
| | | $I_O = -20 \mu\text{A}$ | - | 0 | 0.1 | V |
| | | $I_O = -4.0 \text{ mA}$ | - | 0.15 | 0.26 | V |
| I_I | input leakage current | $V_I = \text{GND}$ or $V_{CC}; V_{CC} = 5.5 \text{ V}$ | - | - | ± 0.1 | μA |
| I_{CC} | supply current | $V_I = \text{GND}$ or $V_{CC}; I_O = 0 \text{ A}; V_{CC} = 5.5 \text{ V}$ | - | - | 1.0 | μA |
| ΔI_{CC} | additional supply current | $V_I = V_{CC} - 2.1 \text{ V}; V_{CC} = 4.5 \text{ V to } 5.5 \text{ V}; I_O = 0 \text{ A}$ | - | - | 300 | μA |
| C_I | input capacitance | | - | 2.0 | - | pF |
| $T_{amb} = -40 \text{ }^\circ\text{C to } +85 \text{ }^\circ\text{C}$ | | | | | | |
| V_{OH} | HIGH-level output voltage | $V_I = V_{IH}$ or $V_{IL}; V_{CC} = 4.5 \text{ V}$ | | | | |
| | | $I_O = -20 \mu\text{A}$ | 4.4 | - | - | V |
| | | $I_O = -4.0 \text{ mA}$ | 4.13 | - | - | V |
| V_{OL} | LOW-level output voltage | $V_I = V_{IH}$ or $V_{IL}; V_{CC} = 4.5 \text{ V}$ | | | | |
| | | $I_O = -20 \mu\text{A}$ | - | - | 0.1 | V |
| | | $I_O = -4.0 \text{ mA}$ | - | - | 0.33 | V |
| I_I | input leakage current | $V_I = \text{GND}$ or $V_{CC}; V_{CC} = 5.5 \text{ V}$ | - | - | ± 1.0 | μA |
| I_{CC} | supply current | $V_I = \text{GND}$ or $V_{CC}; I_O = 0 \text{ A}; V_{CC} = 5.5 \text{ V}$ | - | - | 10.0 | μA |
| ΔI_{CC} | additional supply current | $V_I = V_{CC} - 2.1 \text{ V}; V_{CC} = 4.5 \text{ V to } 5.5 \text{ V}; I_O = 0 \text{ A}$ | - | - | 375 | μA |

Table 8. Static characteristics for 74HCT2G17 ...continued

At recommended operating conditions; voltages are referenced to GND (ground = 0 V).

| Symbol | Parameter | Conditions | Min | Typ | Max | Unit |
|--|---------------------------|---|-----|-----|------|------|
| T_{amb} = -40 °C to +125 °C | | | | | | |
| V _{OH} | HIGH-level output voltage | V _I = V _{IH} or V _{IL} ; V _{CC} = 4.5 V | | | | |
| | | I _O = -20 μA | 4.4 | - | - | V |
| | | I _O = -4.0 mA | 3.7 | - | - | V |
| V _{OL} | LOW-level output voltage | V _I = V _{IH} or V _{IL} ; V _{CC} = 4.5 V | | | | |
| | | I _O = -20 μA | - | - | 0.1 | V |
| | | I _O = -4.0 mA | - | - | 0.4 | V |
| I _I | input leakage current | V _I = GND or V _{CC} ; V _{CC} = 5.5 V | - | - | ±1.0 | μA |
| I _{CC} | supply current | V _I = GND or V _{CC} ; I _O = 0 A; V _{CC} = 5.5 V | - | - | 20.0 | μA |
| ΔI _{CC} | additional supply current | V _I = V _{CC} - 2.1 V; V _{CC} = 4.5 V to 5.5 V; I _O = 0 A | - | - | 410 | μA |

12. Dynamic characteristics

Table 9. Dynamic characteristicsVoltages are referenced to GND (ground = 0 V); for test circuit see [Figure 6](#).

| Symbol | Parameter | Conditions | 25 °C | | | -40 °C to +125 °C | | | Unit |
|-----------------|-------------------------------|---|-------|-----|-----|-------------------|-------------|--------------|------|
| | | | Min | Typ | Max | Min | Max (85 °C) | Max (125 °C) | |
| 74HC2G17 | | | | | | | | | |
| t _{pd} | propagation delay | nA to nY; see Figure 5 [1] | | | | | | | |
| | | V _{CC} = 2.0 V; C _L = 50 pF | - | 36 | 115 | - | 140 | 175 | ns |
| | | V _{CC} = 4.5 V; C _L = 50 pF | - | 12 | 22 | - | 27 | 34 | ns |
| | | V _{CC} = 6.0 V; C _L = 50 pF | - | 10 | 18 | - | 22 | 28 | ns |
| t _t | transition time | nY; see Figure 5 [2] | | | | | | | |
| | | V _{CC} = 2.0 V; C _L = 50 pF | - | 20 | 75 | - | 95 | 110 | ns |
| | | V _{CC} = 4.5 V; C _L = 50 pF | - | 7 | 15 | - | 19 | 22 | ns |
| | | V _{CC} = 6.0 V; C _L = 50 pF | - | 5 | 13 | - | 16 | 19 | ns |
| C _{PD} | power dissipation capacitance | V _I = GND to V _{CC} [3] | - | 10 | - | - | - | - | pF |

Table 9. Dynamic characteristics ...continued
 Voltages are referenced to GND (ground = 0 V); for test circuit see [Figure 6](#).

| Symbol | Parameter | Conditions | 25 °C | | | -40 °C to +125 °C | | | Unit | |
|------------------|-------------------------------|---|-------|-----|-----|-------------------|-------------|--------------|------|----|
| | | | Min | Typ | Max | Min | Max (85 °C) | Max (125 °C) | | |
| 74HCT2G17 | | | | | | | | | | |
| t_{pd} | propagation delay | nA to nY; see Figure 5 $V_{CC} = 4.5\text{ V}; C_L = 50\text{ pF}$ | [1] | - | 21 | 29 | - | 36 | 45 | ns |
| t_t | transition time | nY; see Figure 5 $V_{CC} = 4.5\text{ V}; C_L = 50\text{ pF}$ | [2] | - | 6 | 15 | - | 19 | 22 | ns |
| C_{PD} | power dissipation capacitance | $V_I = \text{GND to } V_{CC} - 1.5\text{ V}$ | [3] | - | 10 | - | - | - | - | pF |

- [1] t_{pd} is the same as t_{PLH} and t_{PHL}
- [2] t_t is the same as t_{TLH} and t_{THL}
- [3] C_{PD} is used to determine the dynamic power dissipation (P_D in μW).
 $P_D = C_{PD} \times V_{CC}^2 \times f_i \times N + \Sigma(C_L \times V_{CC}^2 \times f_o)$ where:
 f_i = input frequency in MHz;
 f_o = output frequency in MHz;
 C_L = output load capacitance in pF;
 V_{CC} = supply voltage in V;
 N = number of inputs switching;
 $\Sigma(C_L \times V_{CC}^2 \times f_o)$ = sum of the outputs.

13. Waveforms

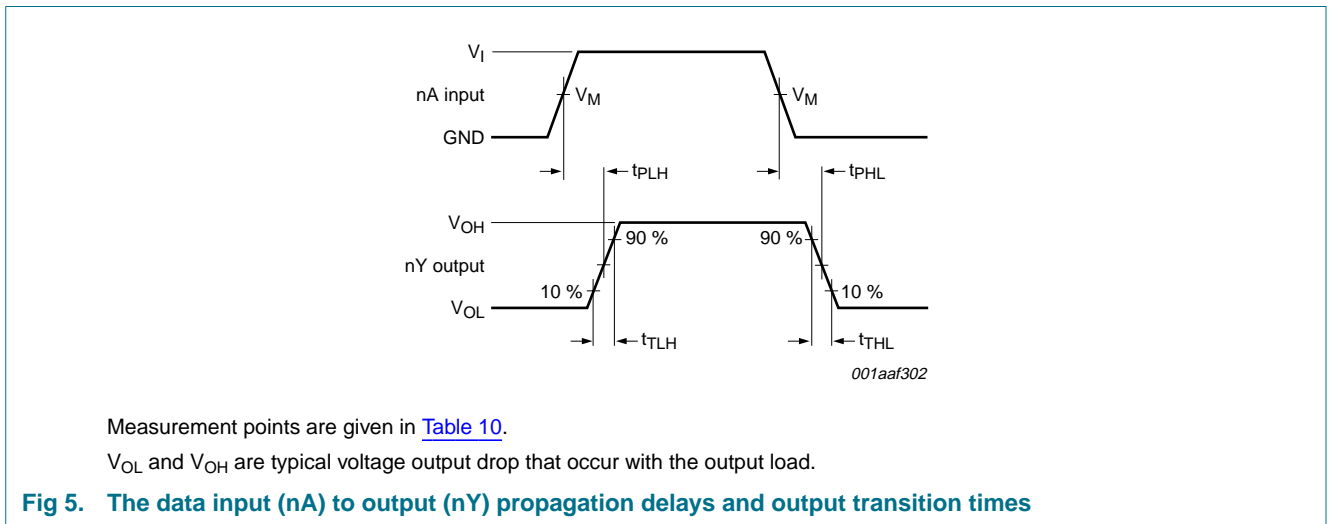
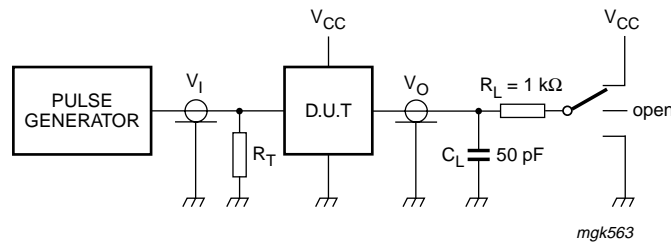


Table 10. Measurement points

| Type | Input | | | Output |
|-----------|-------------|-----------------|-------------|-------------|
| | V_M | V_I | $t_r = t_f$ | V_M |
| 74HC2G17 | $0.5V_{CC}$ | GND to V_{CC} | 6.0 ns | $0.5V_{CC}$ |
| 74HCT2G17 | 1.3 V | GND to 3.0 V | 6.0 ns | 1.3 V |



Test data is given in [Table 11](#).

Definitions test circuit:

R_L = Load resistance.

C_L = Load capacitance including jig and probe capacitance.

R_T = Termination resistance should be equal to output impedance Z_o of the pulse generator.

Fig 6. Load circuitry for switching times

Table 11. Test data

| Type | Input | | Test |
|-----------|-----------------|------------|--------------------|
| | V_I | t_r, t_f | t_{PHL}, t_{PLH} |
| 74HC2G17 | GND to V_{CC} | 6 ns | open |
| 74HCT2G17 | GND to 3.0 V | 6 ns | open |

14. Transfer characteristics

Table 12. Transfer characteristics

Voltages are referenced to GND (ground = 0 V); for test circuit see [Figure 6](#).

| Symbol | Parameter | Conditions | 25 °C | | | -40 °C to +125 °C | | | Unit |
|--------|-----------|------------|-------|-----|-----|-------------------|-------------|--------------|------|
| | | | Min | Typ | Max | Min | Max (85 °C) | Max (125 °C) | |

74HC2G17

| | | | | | | | | | |
|----------|----------------------------------|--|------|------|------|------|------|------|---|
| V_{T+} | positive-going threshold voltage | see Figure 7 , Figure 8 | | | | | | | |
| | | $V_{CC} = 2.0\text{ V}$ | 1.00 | 1.18 | 1.50 | 1.00 | 1.50 | 1.50 | V |
| | | $V_{CC} = 4.5\text{ V}$ | 2.30 | 2.60 | 3.15 | 2.30 | 3.15 | 3.15 | V |
| V_{T-} | negative-going threshold voltage | $V_{CC} = 6.0\text{ V}$ | 3.00 | 3.46 | 4.20 | 3.00 | 4.20 | 4.20 | V |
| | | see Figure 7 , Figure 8 | | | | | | | |
| | | $V_{CC} = 2.0\text{ V}$ | 0.30 | 0.60 | 0.90 | 0.30 | 0.90 | 0.90 | V |
| V_H | hysteresis voltage | $V_{CC} = 4.5\text{ V}$ | 1.13 | 1.47 | 2.00 | 1.13 | 2.00 | 2.00 | V |
| | | $V_{CC} = 6.0\text{ V}$ | 1.50 | 2.06 | 2.60 | 1.50 | 2.60 | 2.60 | V |
| | | $V_{T+} - V_{T-}$; see Figure 7 , Figure 8 and Figure 9 | | | | | | | |
| V_H | hysteresis voltage | $V_{CC} = 2.0\text{ V}$ | 0.30 | 0.60 | 1.00 | 0.30 | 1.00 | 1.00 | V |
| | | $V_{CC} = 4.5\text{ V}$ | 0.60 | 1.13 | 1.40 | 0.60 | 1.40 | 1.40 | V |
| | | $V_{CC} = 6.0\text{ V}$ | 0.80 | 1.40 | 1.70 | 0.80 | 1.70 | 1.70 | V |

Table 12. Transfer characteristics ...continued

Voltages are referenced to GND (ground = 0 V); for test circuit see [Figure 6](#).

| Symbol | Parameter | Conditions | 25 °C | | | -40 °C to +125 °C | | | Unit |
|------------------|----------------------------------|---|-------|------|------|-------------------|-------------|--------------|------|
| | | | Min | Typ | Max | Min | Max (85 °C) | Max (125 °C) | |
| 74HCT2G17 | | | | | | | | | |
| V_{T+} | positive-going threshold voltage | see Figure 7 and Figure 8 | | | | | | | |
| | | $V_{CC} = 4.5\text{ V}$ | 1.20 | 1.58 | 1.90 | 1.20 | 1.90 | 1.90 | V |
| | | $V_{CC} = 5.5\text{ V}$ | 1.40 | 1.78 | 2.10 | 1.40 | 2.10 | 2.10 | V |
| V_{T-} | negative-going threshold voltage | see Figure 7 and Figure 8 | | | | | | | |
| | | $V_{CC} = 4.5\text{ V}$ | 0.50 | 0.87 | 1.20 | 0.50 | 1.20 | 1.20 | V |
| | | $V_{CC} = 5.5\text{ V}$ | 0.60 | 1.11 | 1.40 | 0.60 | 1.40 | 1.40 | V |
| V_H | hysteresis voltage | $V_{T+} - V_{T-}$; see Figure 7 , Figure 8 and Figure 10 | | | | | | | |
| | | $V_{CC} = 4.5\text{ V}$ | 0.40 | 0.71 | - | 0.40 | - | - | V |
| | | $V_{CC} = 5.5\text{ V}$ | 0.40 | 0.67 | - | 0.40 | - | - | V |

15. Waveforms transfer characteristics

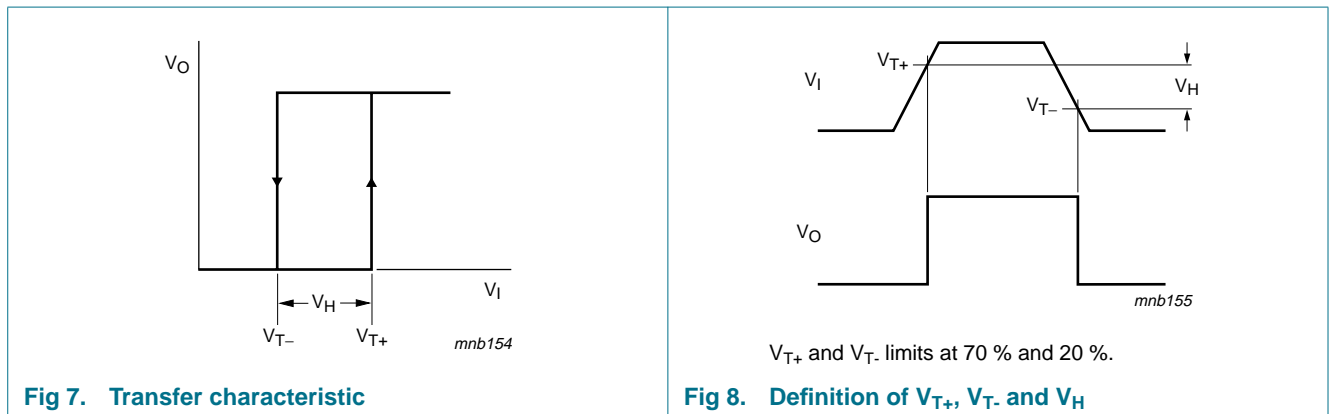
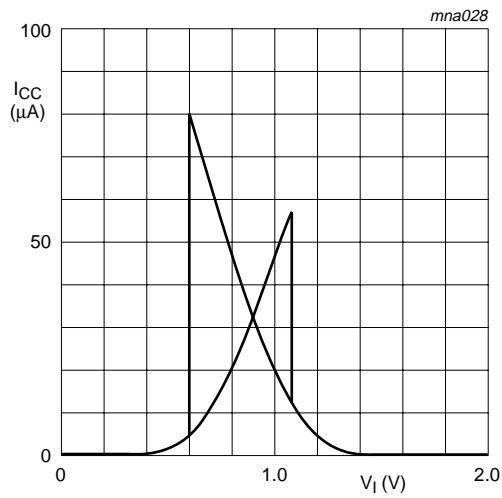
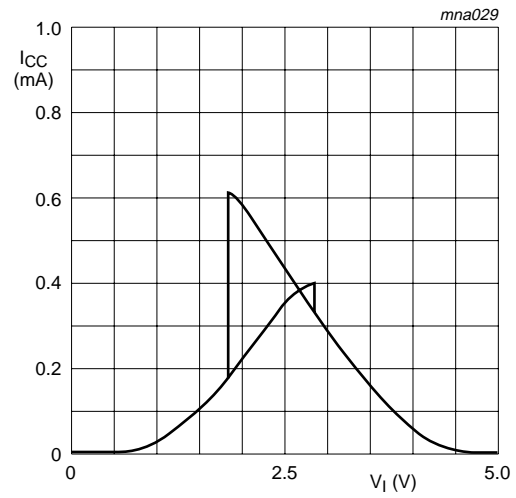


Fig 7. Transfer characteristic

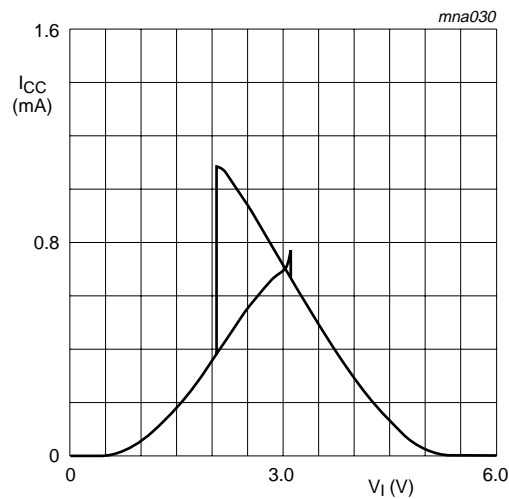
Fig 8. Definition of V_{T+} , V_{T-} and V_H



a. $V_{CC} = 2.0\text{ V}$

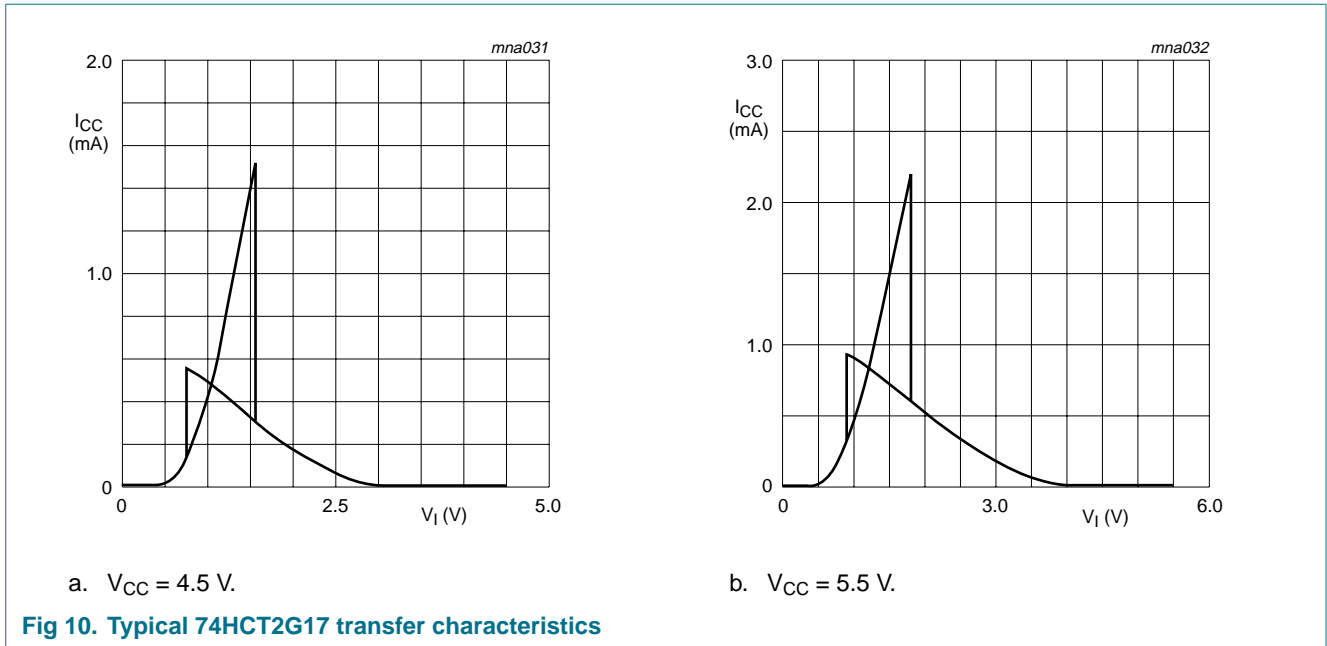


b. $V_{CC} = 4.5\text{ V}$



c. $V_{CC} = 6.0\text{ V}$

Fig 9. Typical 74HC2G17 transfer characteristics



16. Application information

The slow input rise and fall times cause additional power dissipation, this can be calculated using the following formula:

$$P_{\text{add}} = f_i \times (t_r \times \Delta I_{\text{CC(AV)}} + t_f \times \Delta I_{\text{CC(AV)}}) \times V_{\text{CC}} \text{ where:}$$

P_{add} = additional power dissipation (μW);

f_i = input frequency (MHz);

t_r = input rise time (ns); 10 % to 90 %;

t_f = input fall time (ns); 90 % to 10 %;

$\Delta I_{\text{CC(AV)}}$ = average additional supply current (μA).

$\Delta I_{\text{CC(AV)}}$ differs with positive or negative input transitions, as shown in [Figure 11](#) and [Figure 12](#).

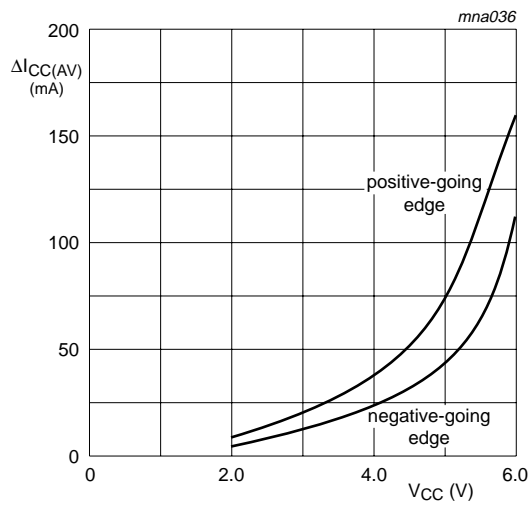


Fig 11. $\Delta I_{CC(AV)}$ as a function of V_{CC} for 74HC2G17; linear change of V_I between $0.1V_{CC}$ to $0.9V_{CC}$

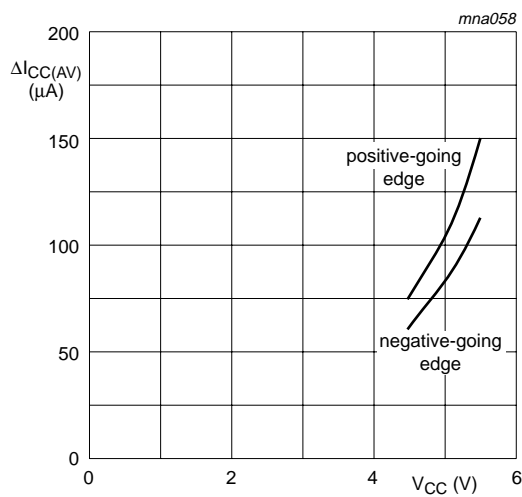


Fig 12. $\Delta I_{CC(AV)}$ as a function of V_{CC} for 74HCT2G17; linear change of V_I between $0.1V_{CC}$ to $0.9V_{CC}$

17. Package outline

Plastic surface-mounted package; 6 leads

SOT363

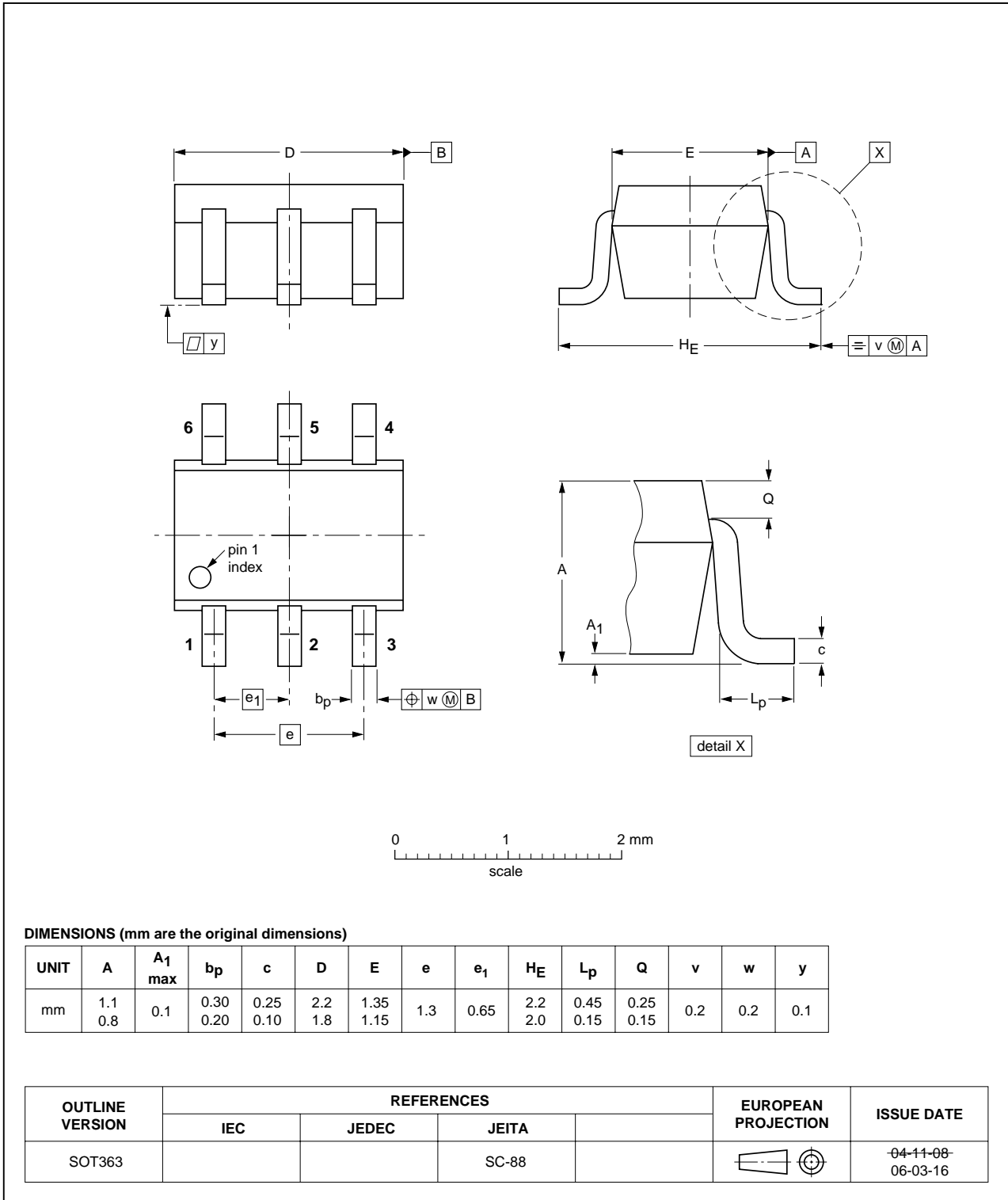


Fig 13. Package outline SOT363 (SC-88)

Plastic surface-mounted package (TSOP6); 6 leads

SOT457

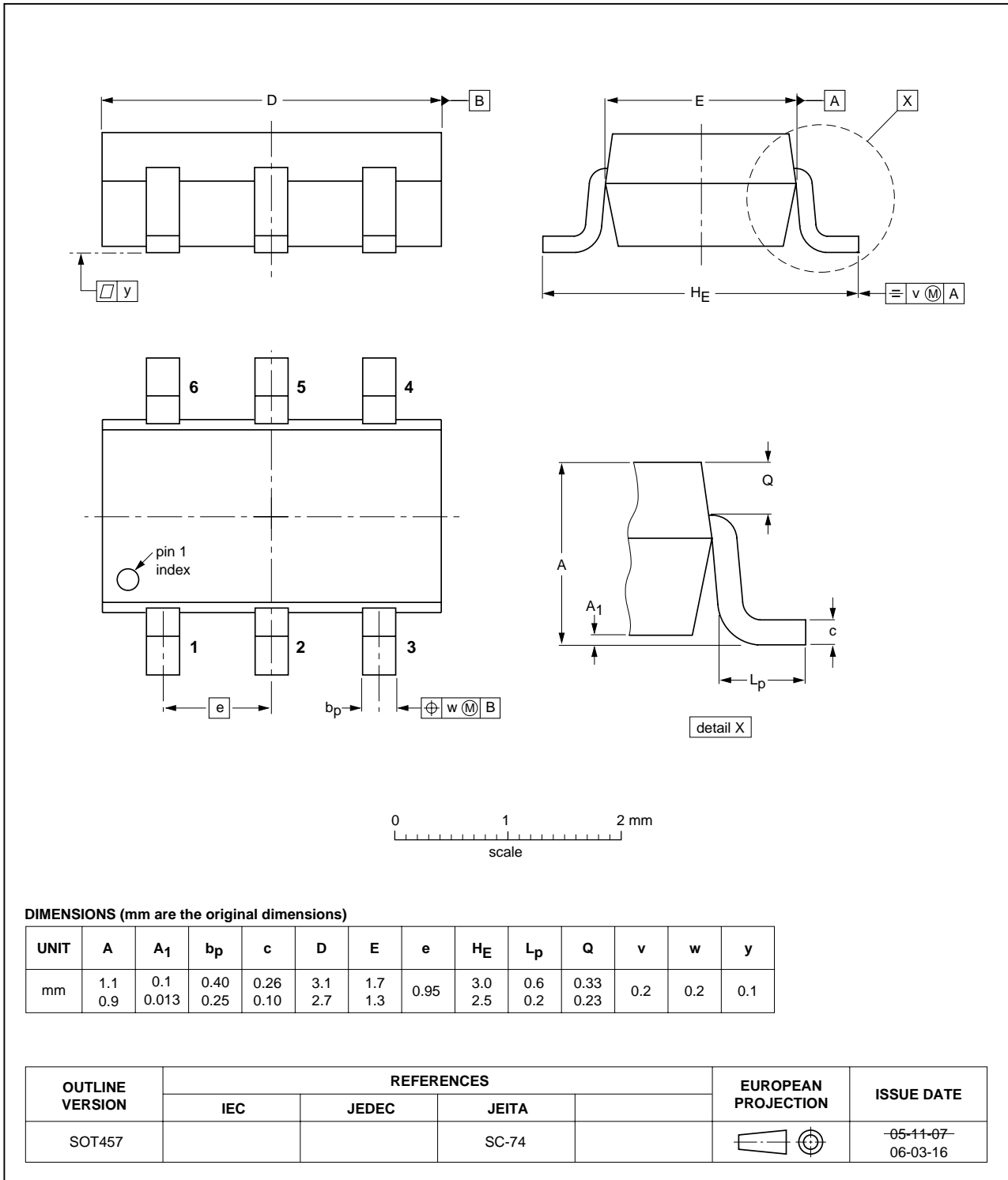


Fig 14. Package outline SOT457 (SC-74)

18. Abbreviations

Table 13. Abbreviations

| Acronym | Description |
|---------|---|
| CMOS | Complementary Metal Oxide Semiconductor |
| ESD | ElectroStatic Discharge |
| HBM | Human Body Model |
| MM | Machine Model |
| DUT | Device Under Test |

19. Revision history

Table 14. Revision history

| Document ID | Release date | Data sheet status | Change notice | Supersedes |
|----------------|--------------|--------------------|---------------|------------|
| 74HC_HCT2G17_1 | 20061006 | Product data sheet | - | - |

20. Legal information

20.1 Data sheet status

| Document status ^{[1][2]} | Product status ^[3] | Definition |
|-----------------------------------|-------------------------------|---|
| Objective [short] data sheet | Development | This document contains data from the objective specification for product development. |
| Preliminary [short] data sheet | Qualification | This document contains data from the preliminary specification. |
| Product [short] data sheet | Production | This document contains the product specification. |

[1] Please consult the most recently issued document before initiating or completing a design.

[2] The term 'short data sheet' is explained in section "Definitions".

[3] The product status of device(s) described in this document may have changed since this document was published and may differ in case of multiple devices. The latest product status information is available on the Internet at URL <http://www.nexperia.com>.

20.2 Definitions

Draft — The document is a draft version only. The content is still under internal review and subject to formal approval, which may result in modifications or additions. Nexperia does not give any representations or warranties as to the accuracy or completeness of information included herein and shall have no liability for the consequences of use of such information.

Short data sheet — A short data sheet is an extract from a full data sheet with the same product type number(s) and title. A short data sheet is intended for quick reference only and should not be relied upon to contain detailed and full information. For detailed and full information see the relevant full data sheet, which is available on request via the local Nexperia sales office. In case of any inconsistency or conflict with the short data sheet, the full data sheet shall prevail.

20.3 Disclaimers

General — Information in this document is believed to be accurate and reliable. However, Nexperia does not give any representations or warranties, expressed or implied, as to the accuracy or completeness of such information and shall have no liability for the consequences of use of such information.

Right to make changes — Nexperia reserves the right to make changes to information published in this document, including without limitation specifications and product descriptions, at any time and without notice. This document supersedes and replaces all information supplied prior to the publication hereof.

Suitability for use — Nexperia products are not designed, authorized or warranted to be suitable for use in medical, military, aircraft, space or life support equipment, nor in applications where failure or

malfunction of a Nexperia product can reasonably be expected to result in personal injury, death or severe property or environmental damage. Nexperia accepts no liability for inclusion and/or use of Nexperia products in such equipment or applications and therefore such inclusion and/or use is at the customer's own risk.

Applications — Applications that are described herein for any of these products are for illustrative purposes only. Nexperia makes no representation or warranty that such applications will be suitable for the specified use without further testing or modification.

Limiting values — Stress above one or more limiting values (as defined in the Absolute Maximum Ratings System of IEC 60134) may cause permanent damage to the device. Limiting values are stress ratings only and operation of the device at these or any other conditions above those given in the Characteristics sections of this document is not implied. Exposure to limiting values for extended periods may affect device reliability.

Terms and conditions of sale — Nexperia products are sold subject to the general terms and conditions of commercial sale, as published at <http://www.nexperia.com/profile/terms>, including those pertaining to warranty, intellectual property rights infringement and limitation of liability, unless explicitly otherwise agreed to in writing by Nexperia. In case of any inconsistency or conflict between information in this document and such terms and conditions, the latter will prevail.

No offer to sell or license — Nothing in this document may be interpreted or construed as an offer to sell products that is open for acceptance or the grant, conveyance or implication of any license under any copyrights, patents or other industrial or intellectual property rights.

20.4 Trademarks

Notice: All referenced brands, product names, service names and trademarks are the property of their respective owners.

21. Contact information

For additional information, please visit: <http://www.nexperia.com>

For sales office addresses, send an email to: salesaddresses@nexperia.com

22. Contents

| | | |
|-----------|---|-----------|
| 1 | General description | 1 |
| 2 | Features | 1 |
| 3 | Applications | 1 |
| 4 | Ordering information | 2 |
| 5 | Marking | 2 |
| 6 | Functional diagram | 2 |
| 7 | Pinning information | 3 |
| 7.1 | Pinning | 3 |
| 7.2 | Pin description | 3 |
| 8 | Functional description | 3 |
| 9 | Limiting values | 4 |
| 10 | Recommended operating conditions | 4 |
| 11 | Static characteristics | 4 |
| 12 | Dynamic characteristics | 7 |
| 13 | Waveforms | 8 |
| 14 | Transfer characteristics | 9 |
| 15 | Waveforms transfer characteristics | 10 |
| 16 | Application information | 12 |
| 17 | Package outline | 14 |
| 18 | Abbreviations | 16 |
| 19 | Revision history | 16 |
| 20 | Legal information | 17 |
| 20.1 | Data sheet status | 17 |
| 20.2 | Definitions | 17 |
| 20.3 | Disclaimers | 17 |
| 20.4 | Trademarks | 17 |
| 21 | Contact information | 17 |
| 22 | Contents | 18 |

Mouser Electronics

Authorized Distributor

Click to View Pricing, Inventory, Delivery & Lifecycle Information:

[Nexperia:](#)

[74HC2G17GV,125](#) [74HC2G17GW,125](#) [74HCT2G17GV,125](#) [74HCT2G17GW,125](#)