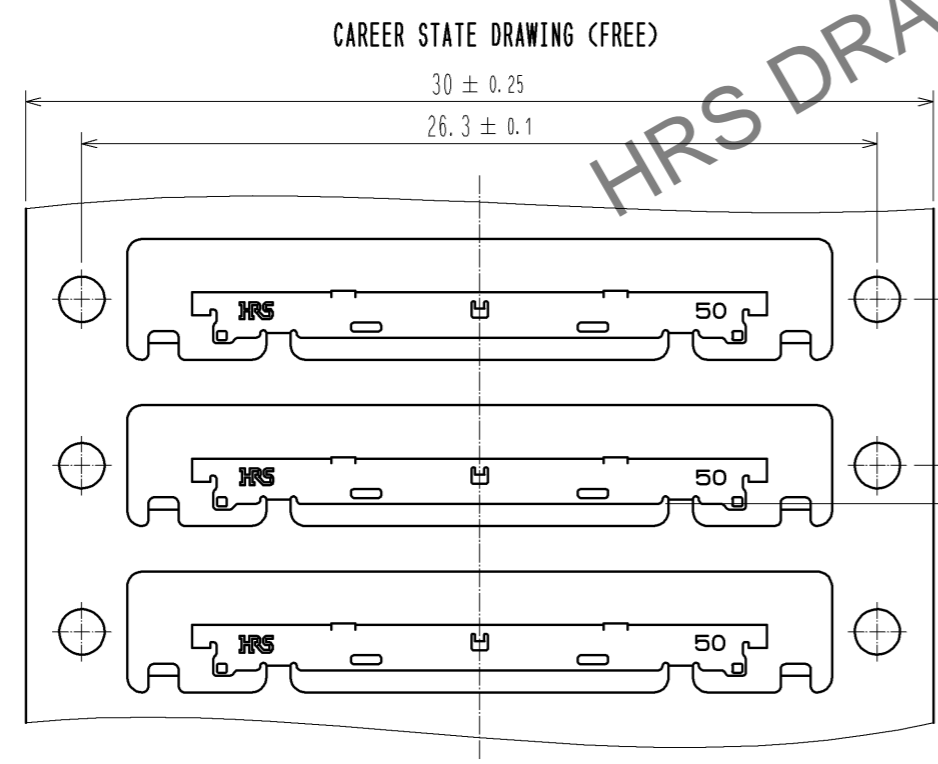
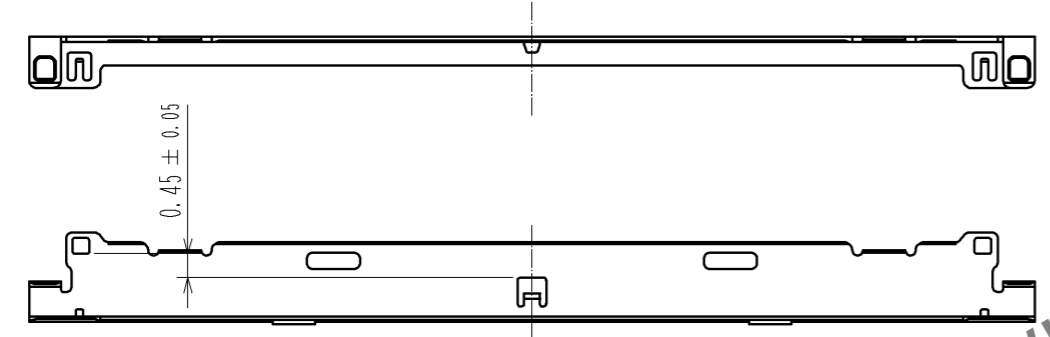
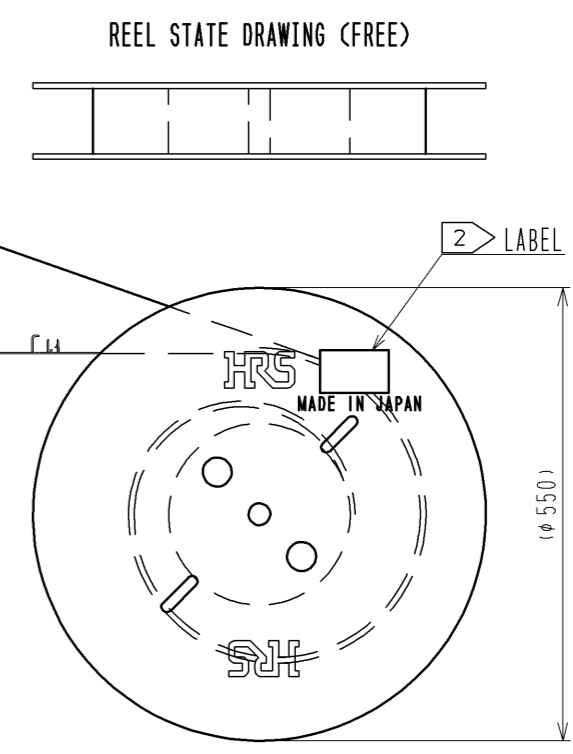
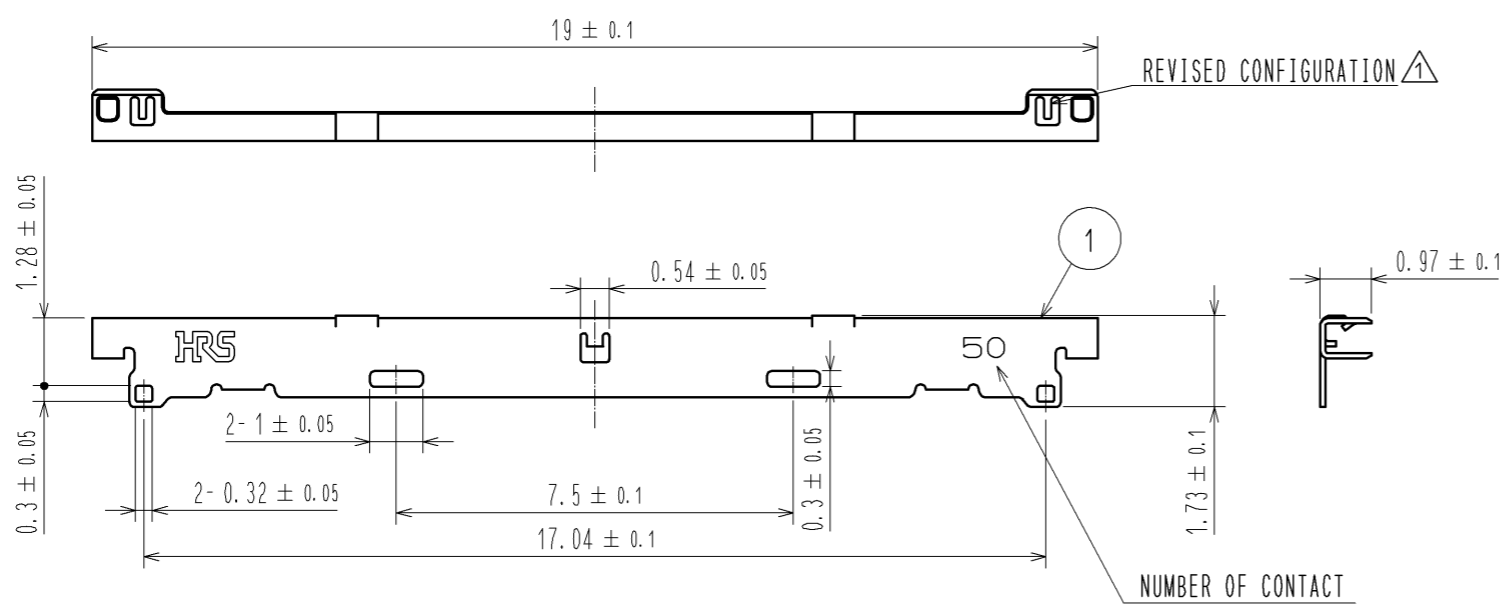


Aug.1.2024 Copyright 2024 HIROSE ELECTRIC CO., LTD. All Rights Reserved.  
In case of consideration for using Automotive equipment / device which demand high reliability, kindly contact our sales window correspondents.



NOTES  
 1. PER REEL:10000 COMPONENTS  
 2. DETAILS OF THE LABEL ARE SHOWN BELOW.  
 3. THE ASSEMBLY IS COMPLETED BY COMBINING TWO PARTS 'CONNECTOR UNIT, AND METAL SHIELDING'. REFER TO THE TABLE FOR EACH ITEM No. PART NAME, PART No AND CODE No.

2 LABEL DETAILS

HRS		INSPECTION 検査
CODE No. 品名コード	CL662-5608-2	
PART NO. 品名	DF56-50P-SHL	
QTY 数量	10,000 PCS	
PECULIAR 仕様		
Lot No		
SPLICE 継ぎ目		

3

ITEM No.	PART NAME	PART No.	CODE No.
-	CONNECTOR UNIT	DF56-50P-0.3SD(51)	CL662-5607-0-51
1	METAL SHIELDING	DF56-50P-SHL	CL662-5608-2-00

NO.	MATERIAL	FINISH . REMARKS	NO.	MATERIAL	FINISH . REMARKS
1	STAINLESS				WHOLE AREA : Sn PLATING 1μm min UNDER PLATING : Ni PLATING 0.2μm min

UNITS mm	SCALE FREE	COUNT 2	DESCRIPTION OF REVISIONS DIS-H-005089	DESIGNED AH.MIYAZAKI	CHECKED IO.DENPOUYA	DATE 10.09.15
APPROVED : TS.SAKATA		10.07.20		DRAWING NO. EDC3-330195-01		
CHECKED : IO.DENPOUYA		10.07.20		PART NO. DF56-50P-SHL		
DESIGNED : AH.MIYAZAKI		10.07.20		CODE NO. CL662-5608-2-00		
DRAWN : AH.MIYAZAKI		10.07.20		1/1		

# Mouser Electronics

Authorized Distributor

Click to View Pricing, Inventory, Delivery & Lifecycle Information:

[Hirose Electric:](#)

[DF56-50P-SHL](#)