

THIS DRAWING IS UNPUBLISHED.		RELEASED FOR PUBLICATION		EC	LOC	DIST	REVISIONS					
© COPYRIGHT - By -		ALL RIGHTS RESERVED.		-	-	-	P	LTR	DESCRIPTION	DATE	DWN	APVD
								B	REVISED PER ECR-18-016655	22OCT2018	ML	SZ

5. ITEMS PROVIDED TO THIS SPECIFICATION TO BE PERMANENTLY IDENTIFIED PER THE FOLLOWING IDENTIFIER:

TE CONNECTIVITY PART NUMBER DATE CODE (e.g. 0625) YEAR WEEK
 XXXXXXXX-X XXXX

4. ALL DIMENSIONS SHOWN ACROSS A CENTERLINE (∅) SHALL BE CENTRALIZED WITHIN THE TOLERANCE INDICATED FOR THAT DIMENSION.

3. FINISHES:
 CROWN HOLDER: GOLD PLATED, .000030 MIN THICK WITH OVERALL GOLD FLASH
 OVER NICKEL PLATED, .000040 MIN THICK

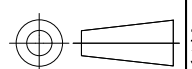
2. MATERIALS:
 INSULATOR: THERMOPLASTIC, GLASS REINFORCED, UL94V-0 FLAMMABILITY RATED, COLOR-BLACK
 CROWN HOLDER: COPPER ALLOY
 CROWN BAND: COPPER ALLOY
 MATING BLADE: COPPER ALLOY WITH GOLD ON NICKEL PLATED

1. PART NUMBER CHANGES AND OR DESIGN CHANGES AFFECTING ITEM INTERCHANGEABILITY REQUIRE PRIOR ELCON APPROVAL AND AUTHORIZATION BY REVISION TO THIS DRAWING.

NOTES: UNLESS OTHERWISE SPECIFIED

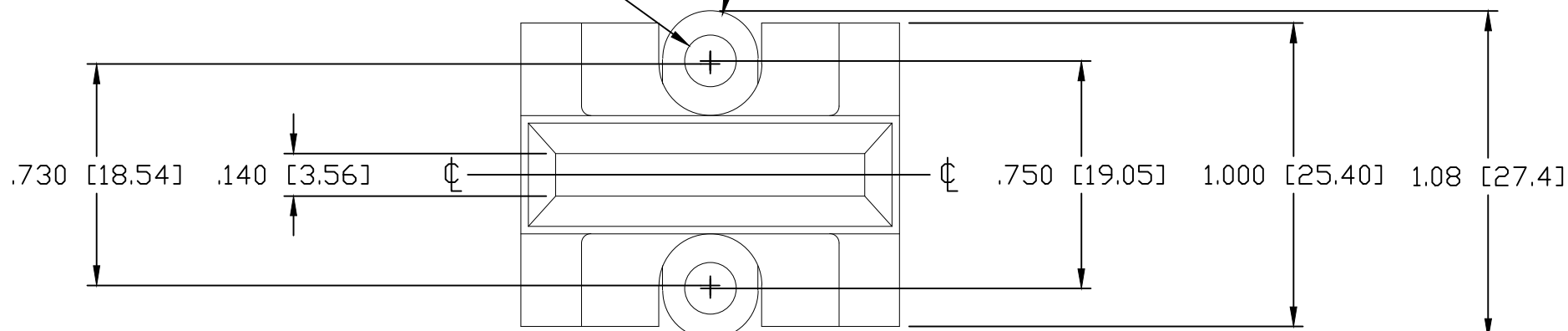
1643906-1	AS SHOWN
PART NUMBER	DESCRIPTION

THIS DRAWING IS A CONTROLLED DOCUMENT.		DWN	02/25/06		STE TE Connectivity		
		HA NGUYEN					
DIMENSIONS: INCH(MM)		CHK	-		NAME CROWN CLIP SENIOR SOCKET POWER CONNECTOR SINGLE POLE APPLICATION		
TOLERANCES UNLESS OTHERWISE SPECIFIED:		APVD	02/25/06				
0 PLC ± -		STEVE FLICKINGER		PRODUCT SPEC 108-128066			
1 PLC ± -		APPLICATION SPEC					
2 PLC ± 0.02(0.3)		114-128068		SIZE A3			
3 PLC ± 0.010(0.25)		WEIGHT					CAGE CODE 00779
4 PLC ± -		-		DRAWING NO C-1643906		RESTRICTED TO -	
ANGLES ± 0.5°		CUSTOMER DRAWING		SCALE 2:1			
MATERIAL		FINISH		SHEET 1 OF 2		REV B	



2X ϕ .170 [ϕ 4.32]
(CLEARANCE FOR
#8 OR M4 SCREW)

2X R.157 [R3.99]



.390 [9.91] 2X .340 [8.64]

TE LOGO

1.435±.020
[36.45±0.51]

1.400 [35.56]

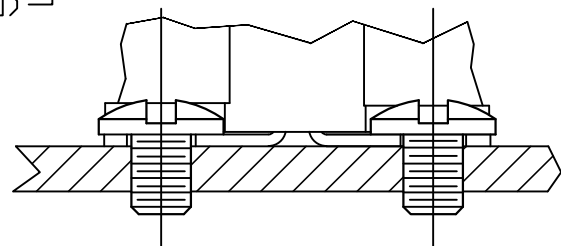
.650 [16.51] MIN

1.000±.015 [25.40±0.38]

.032 [0.82]

1.250 [31.75]

1.000 [25.40]



BACKPLANE ATTACHMENT

.125±.002 [3.17±0.05] SCREWS ARE SHOWN FOR REFERENCE ONLY

RECOMMENDED MATING BLADE

THIS DRAWING IS A CONTROLLED DOCUMENT.		DWN HA NGUYEN 02/25/06	STE TE Connectivity														
DIMENSIONS: INCH(MM)		CHK -				NAME STEVE FLICKINGER											
<p>TOLERANCES UNLESS OTHERWISE SPECIFIED:</p> <table style="font-size: small;"> <tr><td>0 PLC</td><td>± -</td></tr> <tr><td>1 PLC</td><td>± -</td></tr> <tr><td>2 PLC</td><td>± 0.02(0.3)</td></tr> <tr><td>3 PLC</td><td>± 0.010(0.25)</td></tr> <tr><td>4 PLC</td><td>± -</td></tr> <tr><td>ANGLES</td><td>± 0.5°</td></tr> </table>		0 PLC	± -	1 PLC	± -	2 PLC	± 0.02(0.3)	3 PLC	± 0.010(0.25)	4 PLC	± -	ANGLES	± 0.5°	APVD 02/25/06	PRODUCT SPEC		
		0 PLC	± -														
1 PLC	± -																
2 PLC	± 0.02(0.3)																
3 PLC	± 0.010(0.25)																
4 PLC	± -																
ANGLES	± 0.5°																
		STEVE FLICKINGER	108-128066														
		APPLICATION SPEC	114-128068														
MATERIAL		WEIGHT	SIZE	CAGE CODE	DRAWING NO	RESTRICTED TO											
-		-	A3	00779	C-1643906	-											
CUSTOMER DRAWING			SCALE	SHEET	REV												
			2:1	2 OF 2	B												

Mouser Electronics

Authorized Distributor

Click to View Pricing, Inventory, Delivery & Lifecycle Information:

[TE Connectivity:](#)

[1643906-1](#)