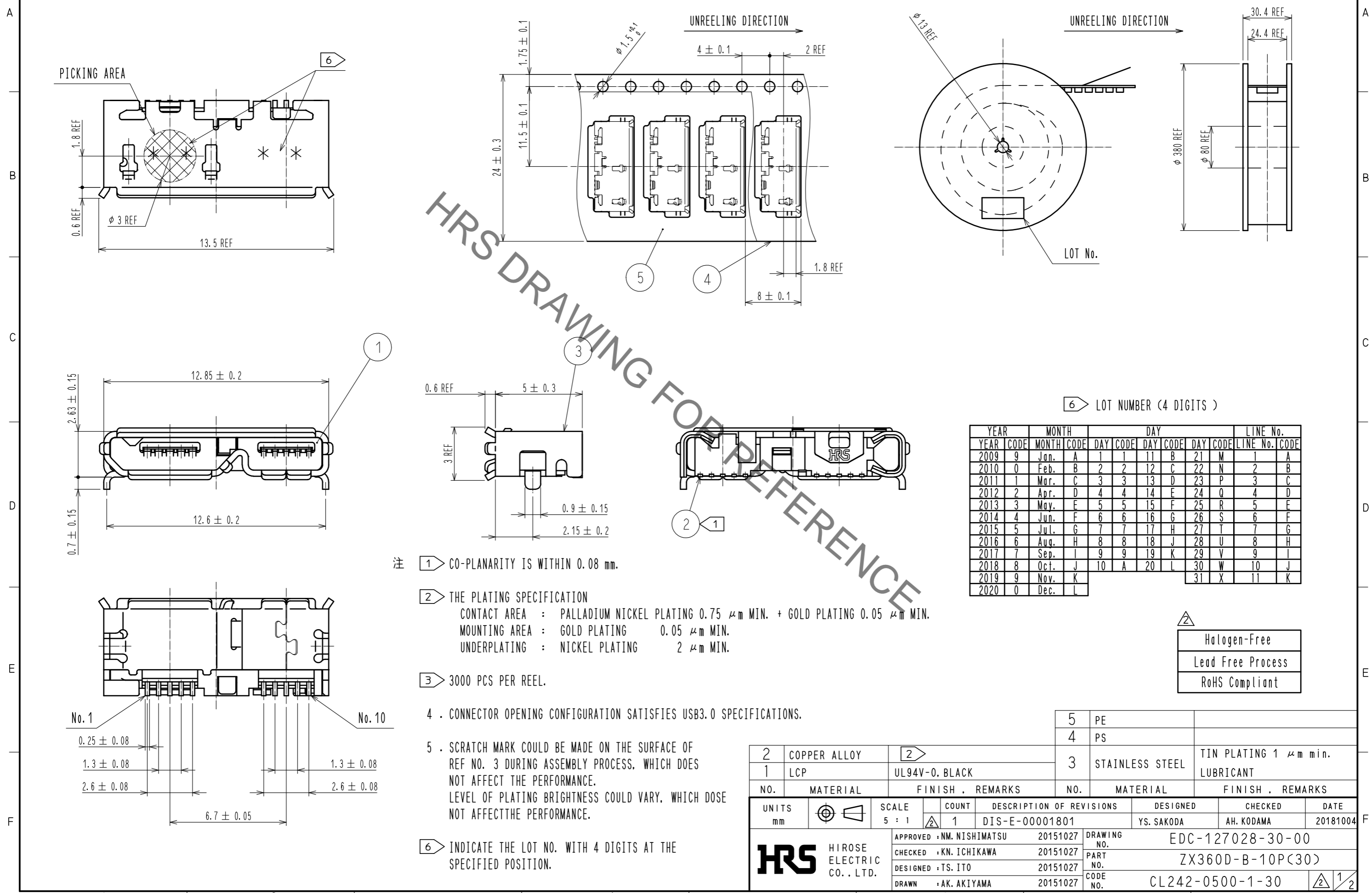


Jan.1.2022 Copyright 2022 HIROSE ELECTRIC CO., LTD. All Rights Reserved.  
 In case of consideration for using Automotive equipment / device which demand high reliability, kindly contact our sales window correspondents.

③ DRAWING FOR PACKAGING (FREE)



注 ① CO-PLANARITY IS WITHIN 0.08 mm.

② THE PLATING SPECIFICATION  
 CONTACT AREA : PALLADIUM NICKEL PLATING 0.75 μm MIN. + GOLD PLATING 0.05 μm MIN.  
 MOUNTING AREA : GOLD PLATING 0.05 μm MIN.  
 UNDERPLATING : NICKEL PLATING 2 μm MIN.

③ 3000 PCS PER REEL.

4 . CONNECTOR OPENING CONFIGURATION SATISFIES USB3.0 SPECIFICATIONS.

5 . SCRATCH MARK COULD BE MADE ON THE SURFACE OF REF NO. 3 DURING ASSEMBLY PROCESS, WHICH DOES NOT AFFECT THE PERFORMANCE.  
 LEVEL OF PLATING BRIGHTNESS COULD VARY, WHICH DOSE NOT AFFECT THE PERFORMANCE.

⑥ INDICATE THE LOT NO. WITH 4 DIGITS AT THE SPECIFIED POSITION.

⑥ LOT NUMBER (4 DIGITS)

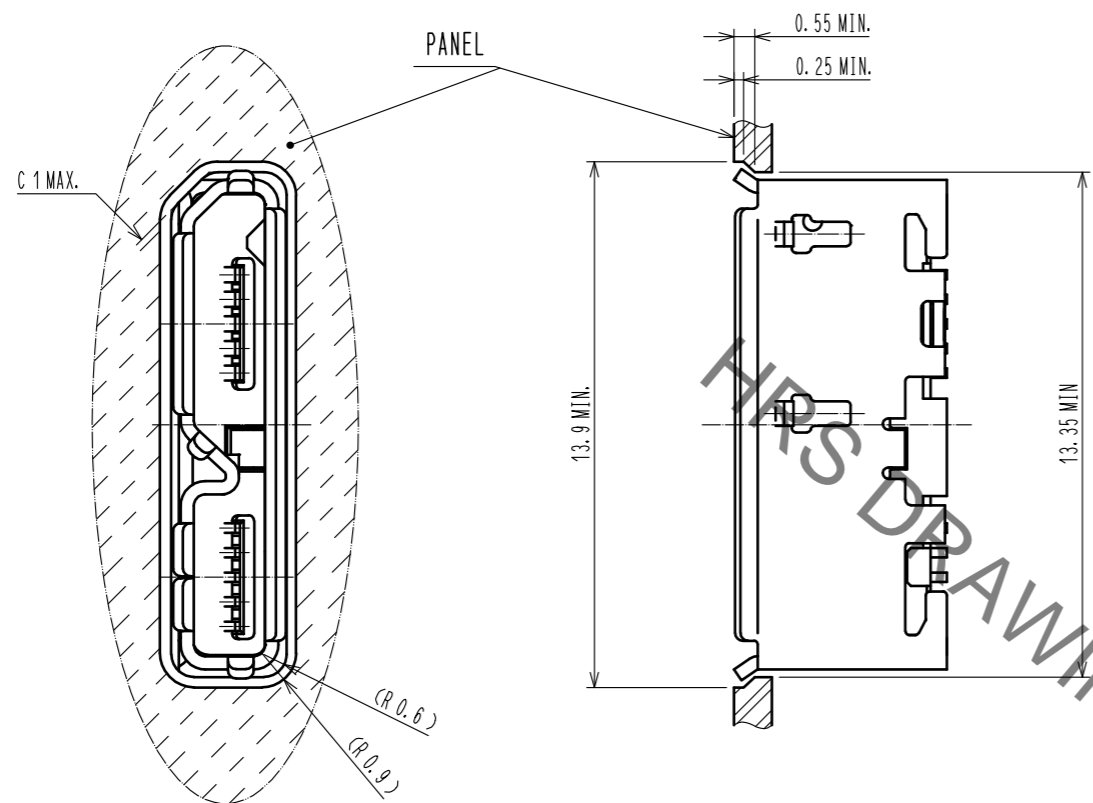
YEAR	MONTH	DAY	DAY	DAY	DAY	DAY	DAY	DAY	DAY	LINE No.	
YEAR CODE	MONTH CODE	DAY CODE	DAY CODE	DAY CODE	DAY CODE	DAY CODE	DAY CODE	DAY CODE	DAY CODE	LINE No. CODE	
2009	9	Jan.	A	1	1	11	B	21	M	1	A
2010	0	Feb.	B	2	2	12	C	22	N	2	B
2011	1	Mar.	C	3	3	13	D	23	P	3	C
2012	2	Apr.	D	4	4	14	E	24	Q	4	D
2013	3	May.	E	5	5	15	F	25	R	5	E
2014	4	Jun.	F	6	6	16	G	26	S	6	F
2015	5	Jul.	G	7	7	17	H	27	T	7	G
2016	6	Aug.	H	8	8	18	J	28	U	8	H
2017	7	Sep.	I	9	9	19	K	29	V	9	I
2018	8	Oct.	J	10	A	20	L	30	W	10	J
2019	9	Nov.	K					31	X	11	K
2020	0	Dec.	L								

△ Halogen-Free  
 Lead Free Process  
 RoHS Compliant

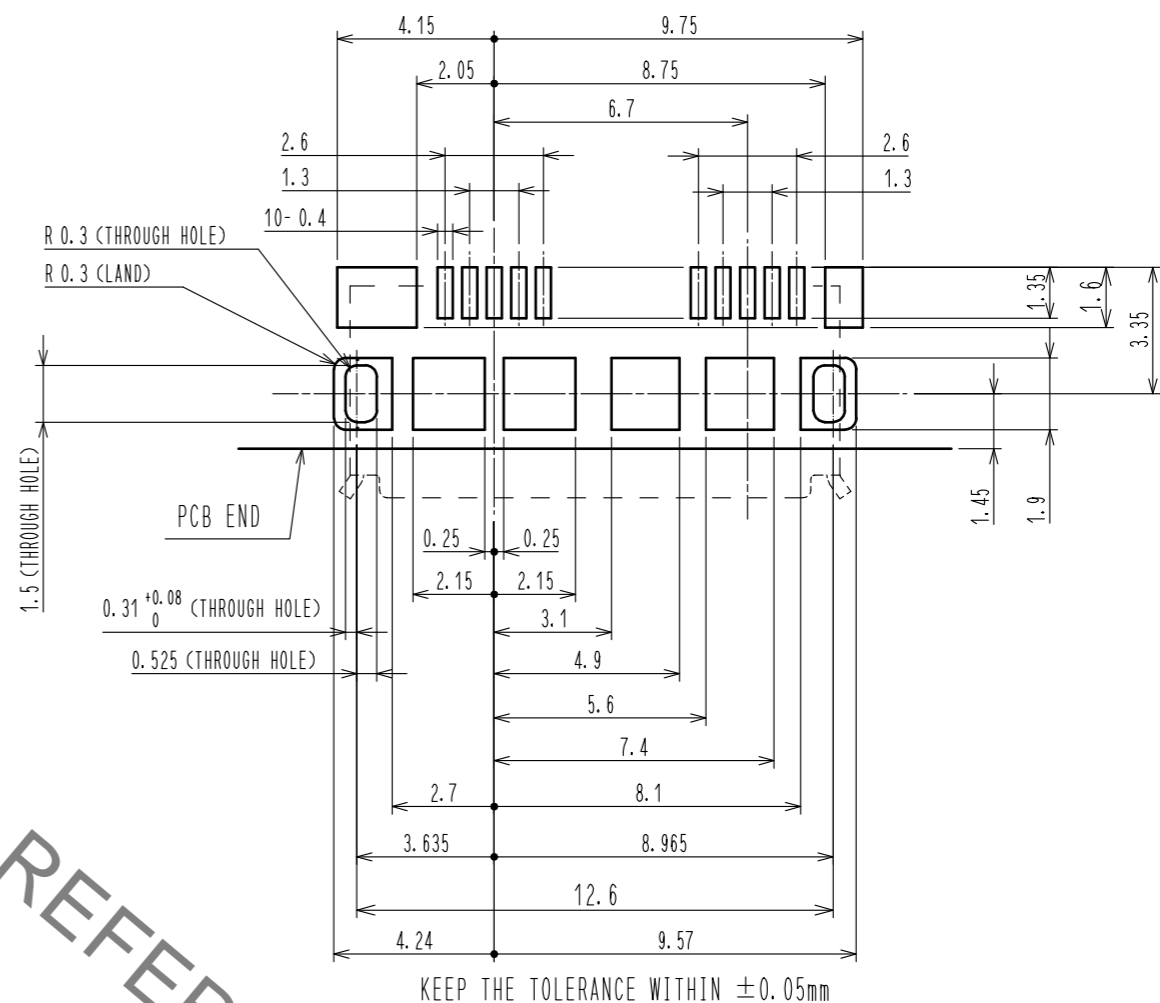
2	COPPER ALLOY	②	5	PE	
1	LCP	UL94V-0, BLACK	4	PS	
3	STAINLESS STEEL	TIN PLATING 1 μm min. LUBRICANT			
NO.	MATERIAL	FINISH . REMARKS	NO.	MATERIAL	FINISH . REMARKS
UNITS	mm	SCALE	5 : 1	COUNT	1
DESCRIPTION OF REVISIONS		DESIGNED	YS. SAKODA	CHECKED	AH. KODAMA
DATE		20181004	DRAWING NO. EDC-127028-30-00		
APPROVED : NM. NISHIMATSU		20151027	PART NO. ZX360D-B-10P(30)		
CHECKED : KN. ICHIKAWA		20151027	CODE NO. CL242-0500-1-30		
DESIGNED : TS. ITO		20151027	1/2		
DRAWN : AK. AKIYAMA		20151027			

Jan.1.2022 Copyright 2022 HIROSE ELECTRIC CO., LTD. All Rights Reserved.  
 In case of consideration for using Automotive equipment / device which demand high reliability, kindly contact our sales window correspondents.

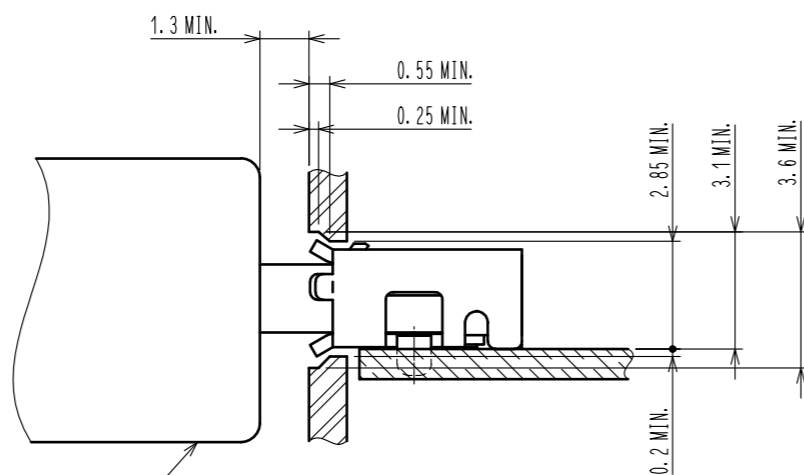
RECOMMENDED PANEL CUTOUT



PCB LAYOUT FOR REFERENCE.



MATED WITH CORRESPONDING PLUG



MicroUSB (TYPE B)  
 (HIROSE'S MICRO USB 'ZX SERIES')

<b>HRS</b>	DRAWING NO.	EDC-127028-30-00
	PART NO.	ZX360D-B-10P(30)
	CODE NO.	CL242-0500-1-30
		2/2

# Mouser Electronics

Authorized Distributor

Click to View Pricing, Inventory, Delivery & Lifecycle Information:

[Hirose Electric:](#)

[ZX360D-B-10P\(30\)](#)