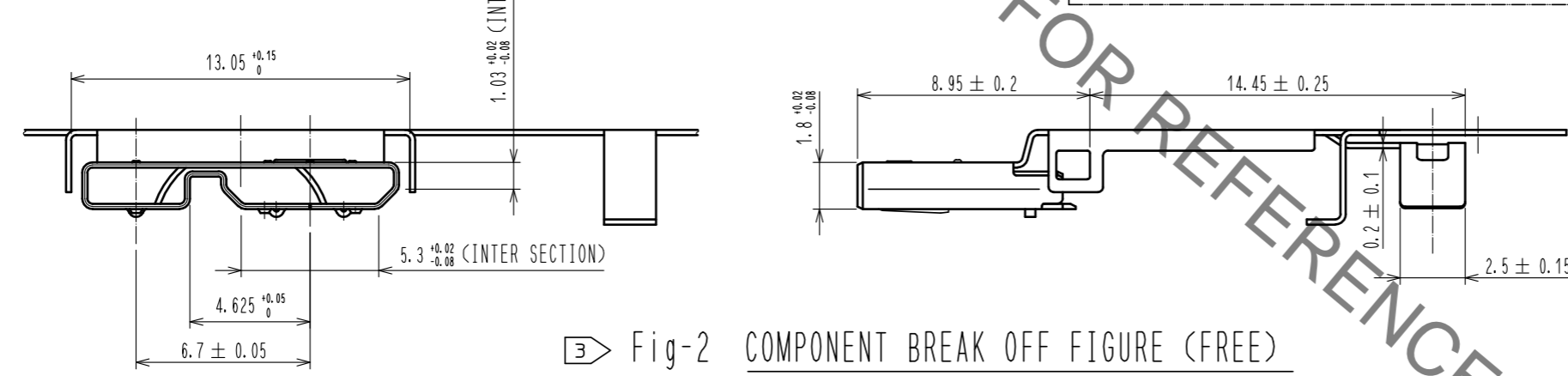
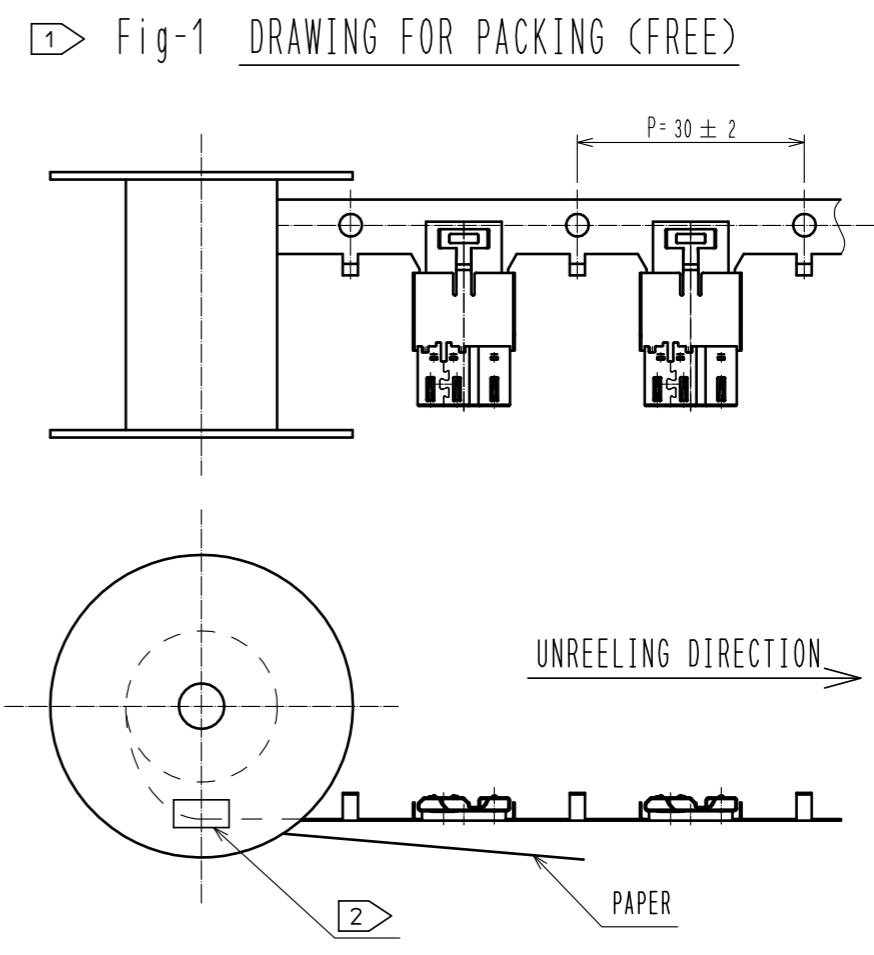
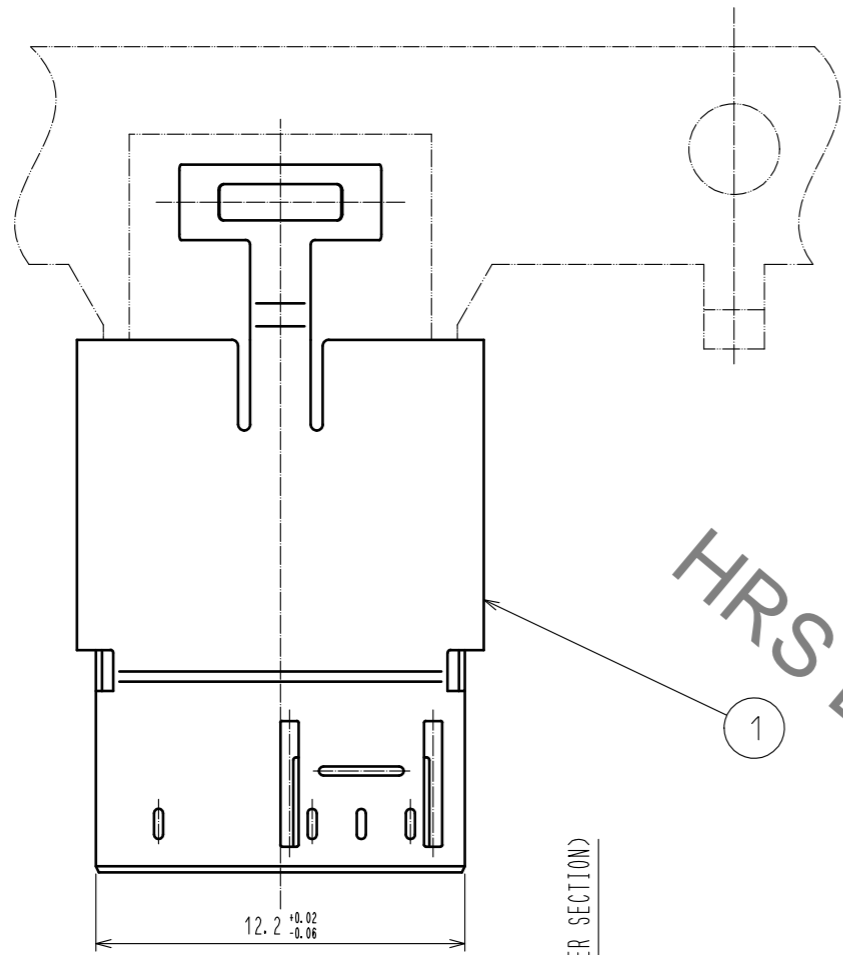
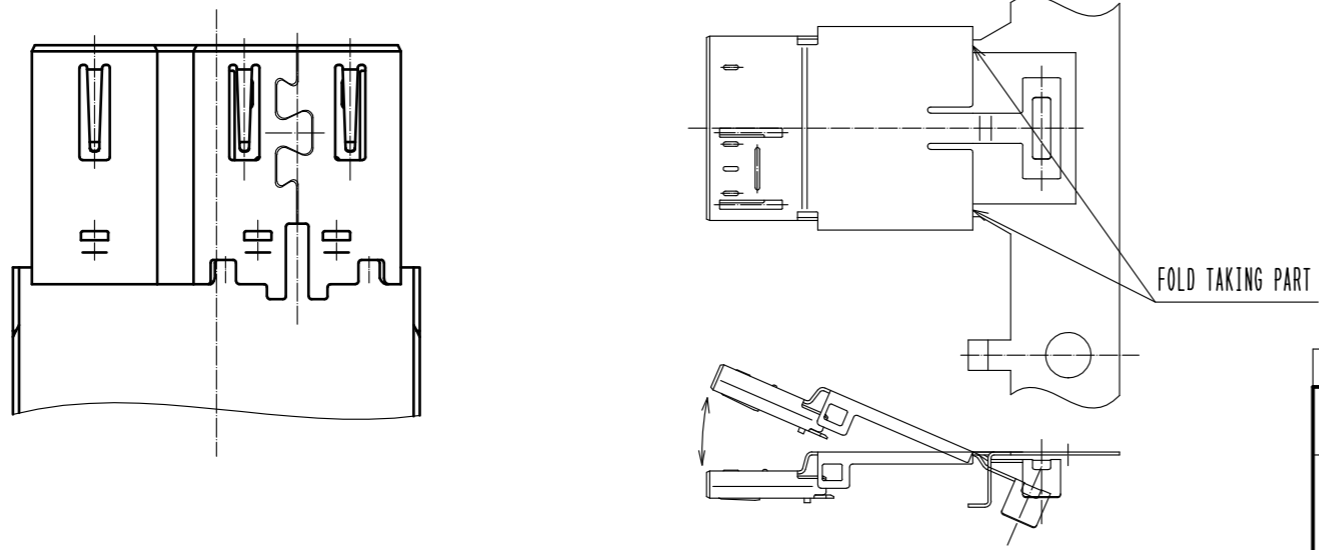


Dec.1.2021 Copyright 2021 HIROSE ELECTRIC CO., LTD. All Rights Reserved.
In case of consideration for using Automotive equipment / device which demand high reliability, kindly contact our sales window correspondents.



③ Halogen-Free
Lead Free Process
RoHS Compliant



- NOTE ① THIS IS DELIVERED BY A REEL. QTY : 2700 PCS.
② INDICATE 'Part No.', 'CL No.', 'Lot No.', AND QUANTITY ON BOTH REEL AND THE SIDE SURFACE OF THE SHIPPING OUTER BOX.
③ REMOVE THE COMPONENT FROM THE CARRIER FOR USE AS SHOWN IN Fig.2.

| | | | | | |
|-------------|---------------------------|--------------------------|------------|--|------------------------|
| NO. | MATERIAL | FINISH . REMARKS | NO. | MATERIAL | FINISH . REMARKS |
| 1 | STAINLESS STEEL | NICKEL PLATING 0.1μm min | | | |
| UNITS mm | | SCALE 4 : 1 | COUNT 1 | DESCRIPTION OF REVISIONS DIS-E-00001801 | DESIGNED YS. SAKODA |
| | | | | | CHECKED AH. KODAMA |
| | | | | | DATE 20181004 |
| HRS | HIROSE ELECTRIC CO., LTD. | APPROVED : A0. SUZUKI | 20100807 | DRAWING NO. | EDC-127030-00-00 |
| | | CHECKED : KN. ICHIKAWA | 20100807 | PART NO. | ZX360-B-SLDA |
| | | DESIGNED : TY. MIURA | 20100806 | CODE NO. | CL242-0502-7-00 |
| | | DRAWN : TY. MIURA | 20100806 | | |

Mouser Electronics

Authorized Distributor

Click to View Pricing, Inventory, Delivery & Lifecycle Information:

[Hirose Electric:](#)

[ZX360-B-SLDA](#)