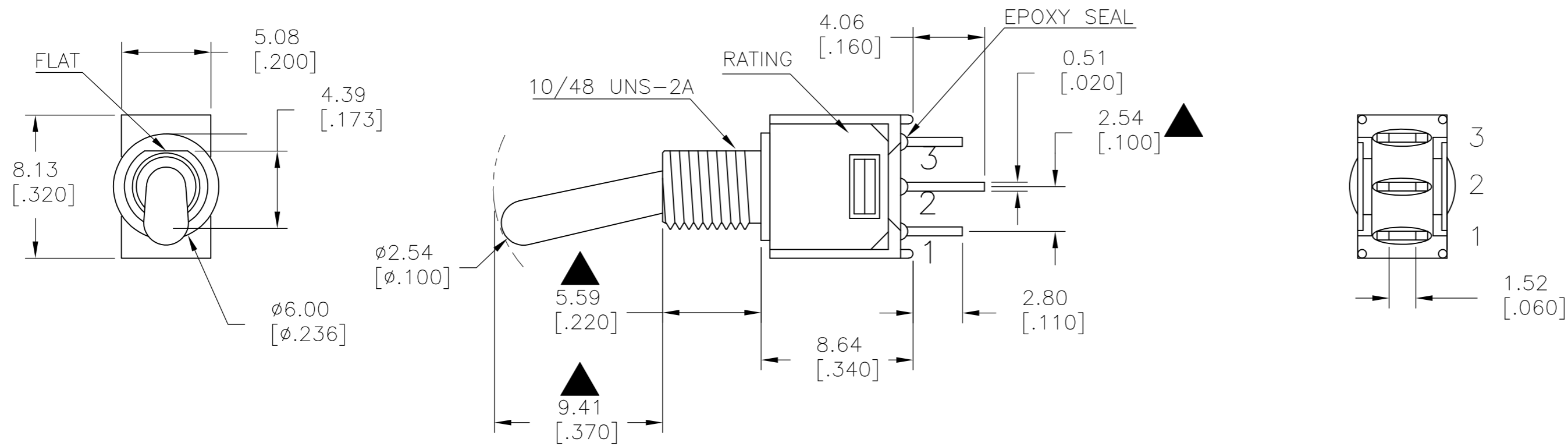


THIS DRAWING IS UNPUBLISHED. RELEASED FOR PUBLICATION
 © COPYRIGHT - By - ALL RIGHTS RESERVED.

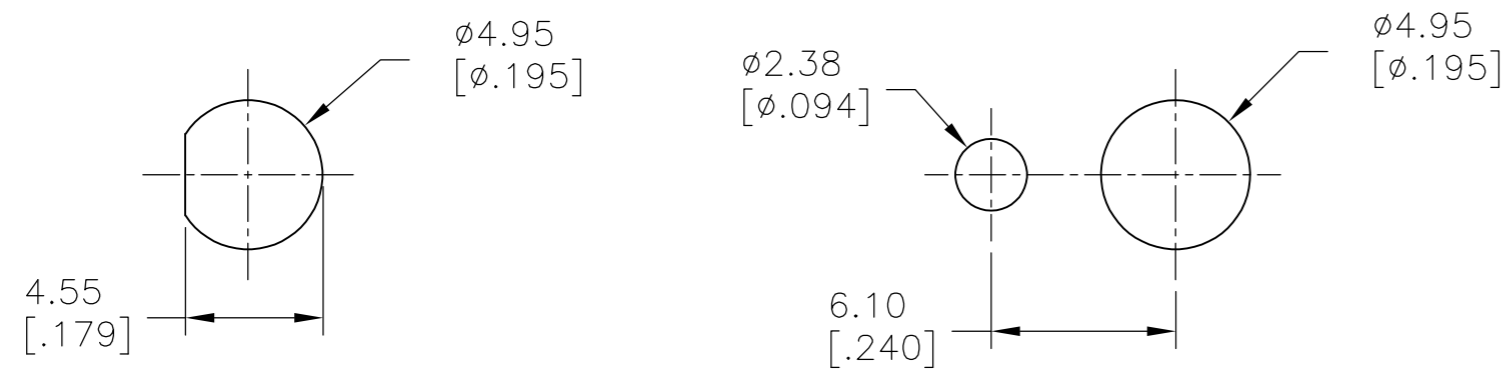
LOC		DIST		REVISIONS			
P	LTR	DESCRIPTION		DATE	DWN	APVD	
-	-	A1	REVISED PER ECO-15-014342	07OCT2015	NK	RH	



1 HARDWARE SUPPLIED WITH THREADED-BUSHING
 PARTS ONLY: TE P/N 2213733-1 (NUT) X2
 P/N 2213733-2 (LOCKING WASHER) X1

MODEL NO.	POS.1	POS.2	POS.3
TMS	ON	NONE	ON
TERM. COMM.	2-3	OPEN	2-1
SCHEMATIC			

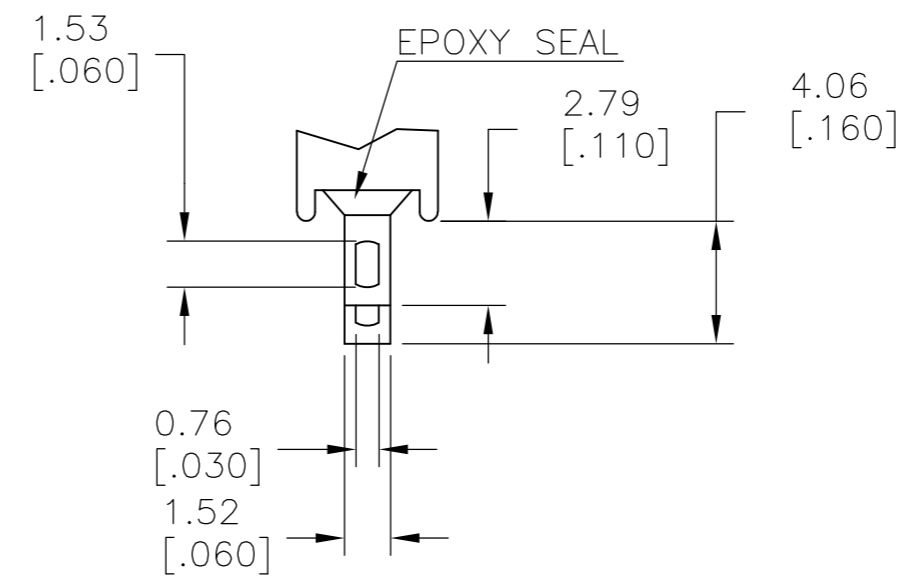
SWITCH FUNCTION



WITHOUT LOCKING RING

WITH STANDARD LOCKING RING

PANEL MOUNTING



SOLDER LUG

LAYOUT FOR PN 2267080-2

SPECIFICATIONS

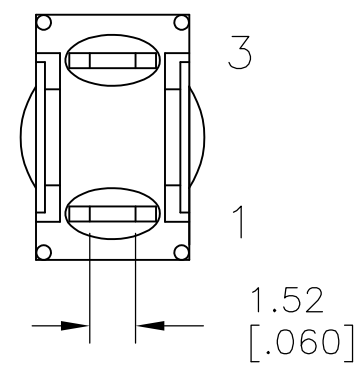
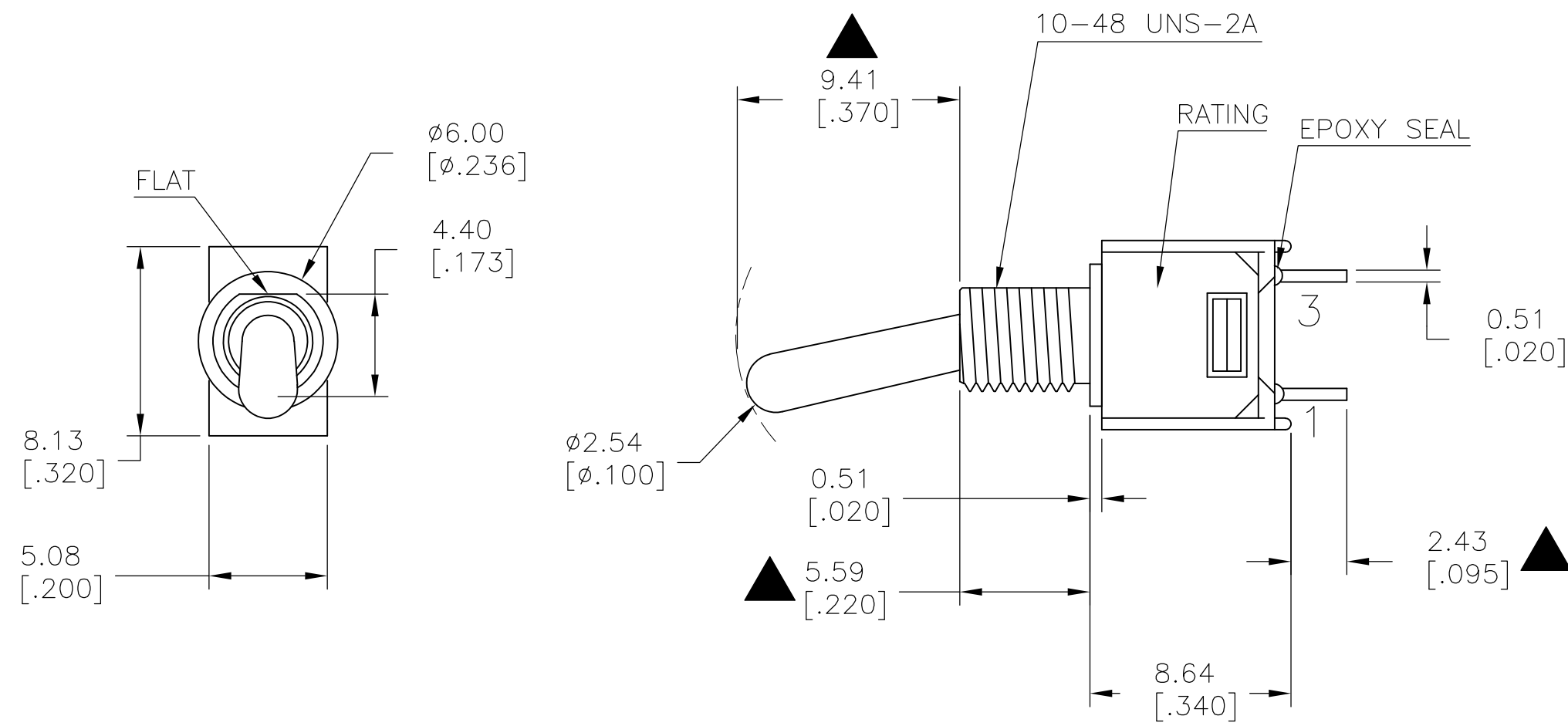
MECHANICAL LIFE: 30,000 MAKE-AND-BREAK CYCLES.
 CONTACT RESISTANCE: 20 mΩ MAX. INITIAL @ 2-4VDC
 100mA FOR BOTH SILVER AND GOLD PLATED CONTACTS.
 CONTACT RATING: SILVER PLATED: 3A @ 120 VAC OR 28 VDC, 1A @ 250 VAC
 INSULATION RESISTANCE: 1,000MΩ MIN.
 DIELECTRIC STRENGTH: 1,000 Vrms MIN.@SEA LEVEL.
 OPERATING TEMPERATURE: -30°C TO 85°C.

SILVER	ON-ON	SOLDER LUG	VERTICAL	1	2	TMS1T1B1M1QE	2267080-2
SILVER	OFF-ON	SOLDER LUG	VERTICAL	1	2	TMS6T1B1M1QE	2267080-1
CONTACT MATERIAL	FUNCTION	TERMINATION	MOUNT ANGLE	POLES	THROWS	DESCRIPTIVE PN	TE PN

THIS DRAWING IS A CONTROLLED DOCUMENT.		DWN NAGALAKSHMI K 10JUL2014	TE Connectivity	
DIMENSIONS: mm [INCHES]		CHK HILL, RYAN 10JUL2014	NAME	
TOLERANCES UNLESS OTHERWISE SPECIFIED:		APVD HILL, RYAN 10JUL2014	SUBMINIATURE TOGGLE SWITCH	
0 PLC ± -		PRODUCT SPEC	SIZE	
1 PLC ± 0.38[.015]		APPLICATION SPEC	CAGE CODE	
2 PLC ± 0.25[.010]			DRAWING NO	
3 PLC ± -			RESTRICTED TO	
4 PLC ± -			A2 00779 C=2267080	
ANGLES ± 5°		WEIGHT	SCALE 3:1 SHEET 1 of 2 REV A1	
MATERIAL		FINISH	CUSTOMER DRAWING	

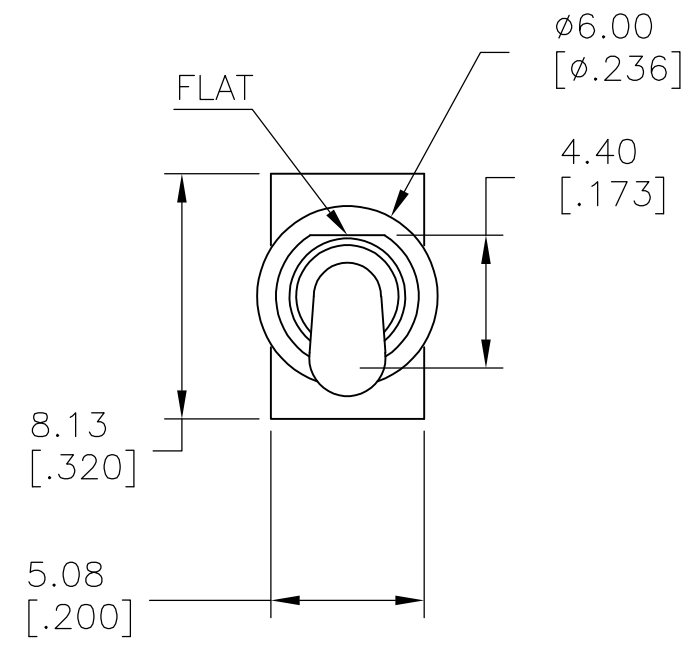
THIS DRAWING IS UNPUBLISHED. RELEASED FOR PUBLICATION
 © COPYRIGHT - By - ALL RIGHTS RESERVED.

LOC		DIST		REVISIONS			
P	LTR	DESCRIPTION	DATE	DWN	APVD		
-	-	SEE SHEET 1	-	-	-		

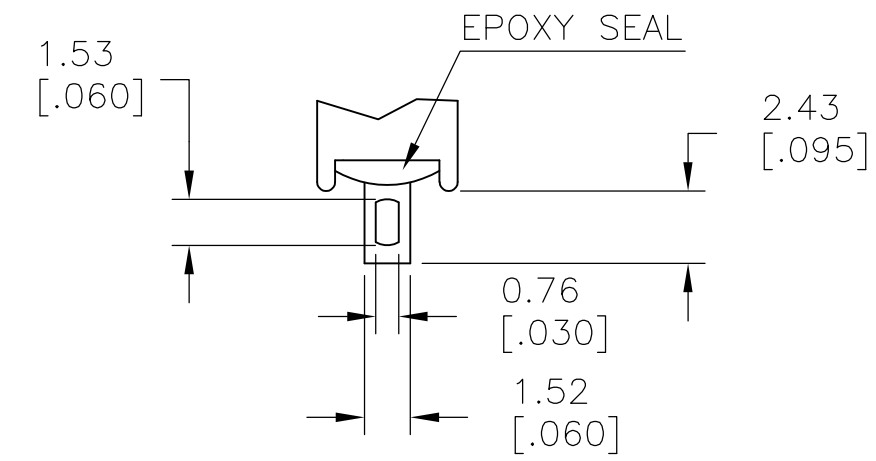
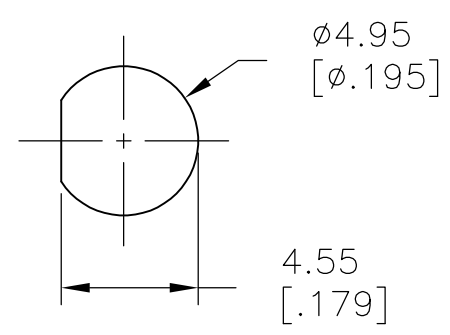


MODEL NO.	POS.1	POS.2	POS.3
TMS	OFF	NONE	ON
TERM. COMM.	OPEN	N/A	3-1
SCHEMATIC			

SWITCH FUNCTION



PANEL MOUNTING



SOLDER LUG

LAYOUT FOR PN 2267080-1

THIS DRAWING IS A CONTROLLED DOCUMENT.		DWN NAGALAKSHMI K 10JUL2014	TE Connectivity	
DIMENSIONS: mm [INCHES]		CHK HILL, RYAN 10JUL2014		
TOLERANCES UNLESS OTHERWISE SPECIFIED:		APVD HILL, RYAN 10JUL2014	NAME	
0 PLC ± -		PRODUCT SPEC	SUBMINIATURE TOGGLE SWITCH	
1 PLC ± 0.38[.015]		APPLICATION SPEC	SIZE	RESTRICTED TO
2 PLC ± 0.25[.010]			A2	
3 PLC ± -		WEIGHT	CAGE CODE	DRAWING NO
4 PLC ± -		-	00779	C=2267080
ANGLES ± 5°		CUSTOMER DRAWING	SCALE	SHEET
FINISH			3:1	2 of 2
MATERIAL			REV	A1

Mouser Electronics

Authorized Distributor

Click to View Pricing, Inventory, Delivery & Lifecycle Information:

[TE Connectivity:](#)

[TMS6T1B1M1QE](#)