

Power Filter Inductors

For TI TAS5612/5614
Class-D Amplifiers



Low distortion chokes used in Texas Instrument's TPA3251D2 PurePath Ultra-HD, TAS5612/14PHD2EVM, TAS5612PHD and TAS5614PHD evaluation modules.

Request free evaluation samples by contacting Coilcraft or visiting www.coilcraft.com.

Core material Powdered iron

Environmental RoHS compliant, halogen free

Terminations RoHS compliant tin-silver (96.5/3.5) over copper

Weight MA5172-AE: 18.7 g; MA5173-AE: 17.6 g; PA6331-AE: 21.2 g

Ambient temperature -40°C to +125°C with (40°C rise) Irms current.

Maximum part temperature +165°C (ambient + temp rise).

Storage temperature Component: -40°C to +165°C.

Tray packaging: -40°C to +80°C

Moisture Sensitivity Level (MSL) 1 (unlimited floor life at <30°C / 85% relative humidity)

Failures in Time (FIT) / Mean Time Between Failures (MTBF)

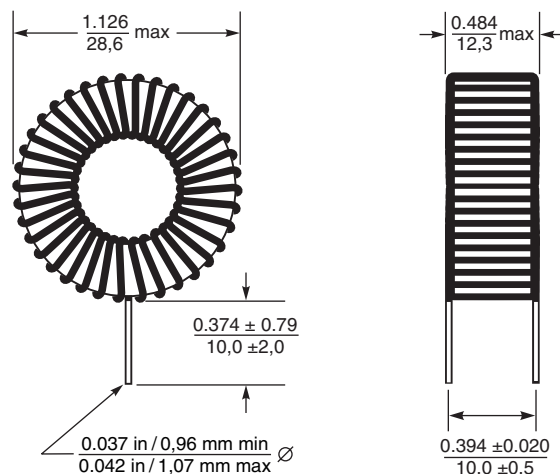
38 per billion hours / 26,315,789 hours, calculated per Telcordia SR-332

Packaging 25 per tray

PCB washing Tested to MIL-STD-202 Method 215 plus an additional aqueous wash. See [Doc787 PCB Washing.pdf](#).

Part number	Inductance $\pm 1 \mu\text{H}^1$ (μH)	DCR max (mOhms)	SRF min (MHz)	Isat ² (A)	Irms (A) ³	
					20°C rise	40°C rise
PA6331-AE	15	31.0	12.4	20	9.8	14.2
MA5172-AE	10	26.0	25.5	45	6.1	8.2
MA5173-AE	7	21.5	32.8	54	6.5	9.0

1. Inductance measured at 10 kHz, 0.1 Vrms, 0 Adc using an Agilent/HP 4132 impedance analyzer or equivalent.
2. DC current at 25°C that causes an inductance drop of 10% (typ) from its value without current.
3. Current that causes the specified temperature rise from 25°C ambient. This information is for reference only and does not represent absolute maximum ratings.
4. Electrical specifications at 25°C.



Dimensions are in $\frac{\text{inches}}{\text{mm}}$



www.coilcraft.com

US +1-847-639-6400 sales@coilcraft.com

UK +44-1236-730595 sales@coilcraft-europe.com

Taiwan +886-2-2264 3646 sales@coilcraft.com.tw

China +86-21-6218 8074 sales@coilcraft.com.cn

Singapore + 65-6484 8412 sales@coilcraft.com.sg

Document 943-1 Revised 08/08/18

© Coilcraft Inc. 2020

This product may not be used in medical or high risk applications without prior Coilcraft approval. Specification subject to change without notice. Please check web site for latest information.

Mouser Electronics

Authorized Distributor

Click to View Pricing, Inventory, Delivery & Lifecycle Information:

[Coilcraft:](#)

[PA6331-AE](#) [MA5172-AE](#) [MA5173-AE](#)