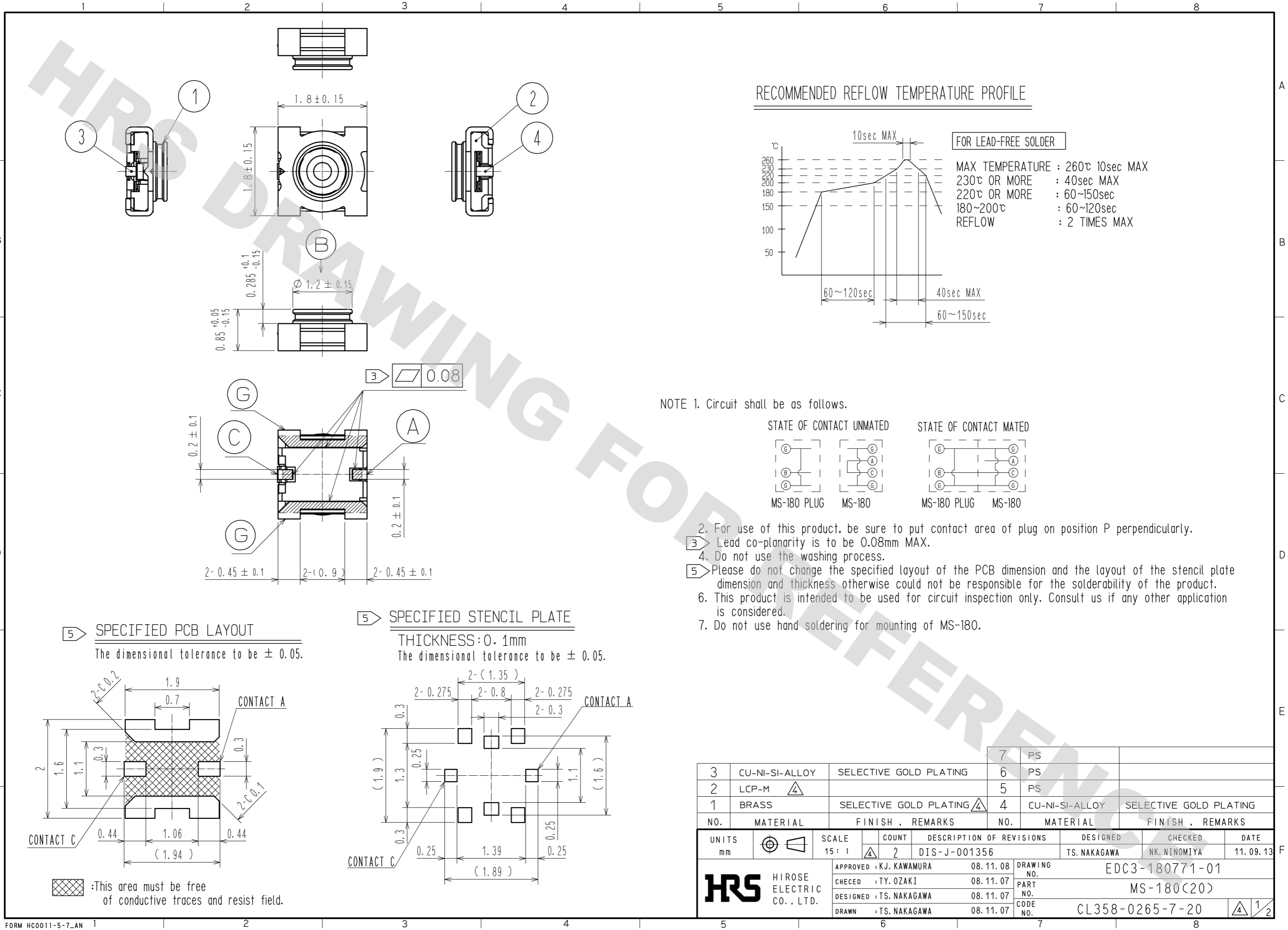
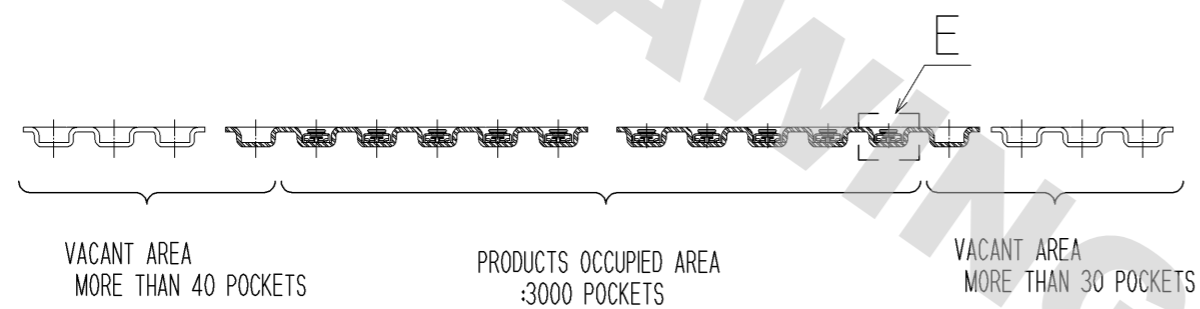
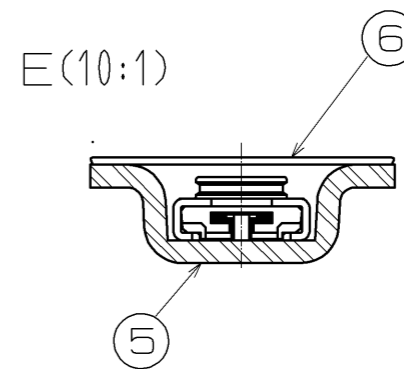
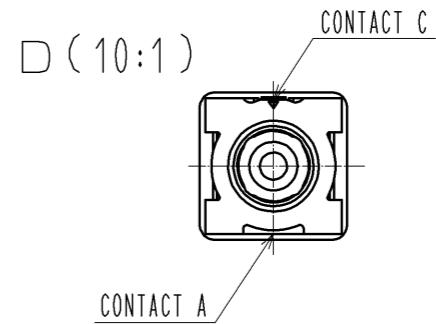
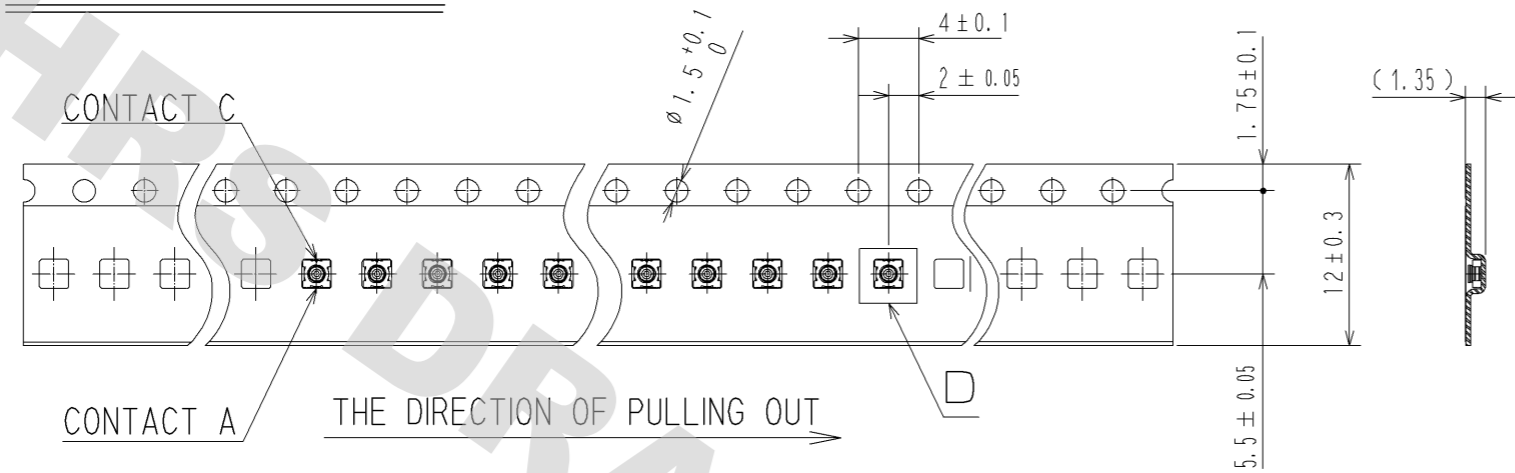


DRAWING FOR REFERENCE: This is subject to change without notice
08/11/2012



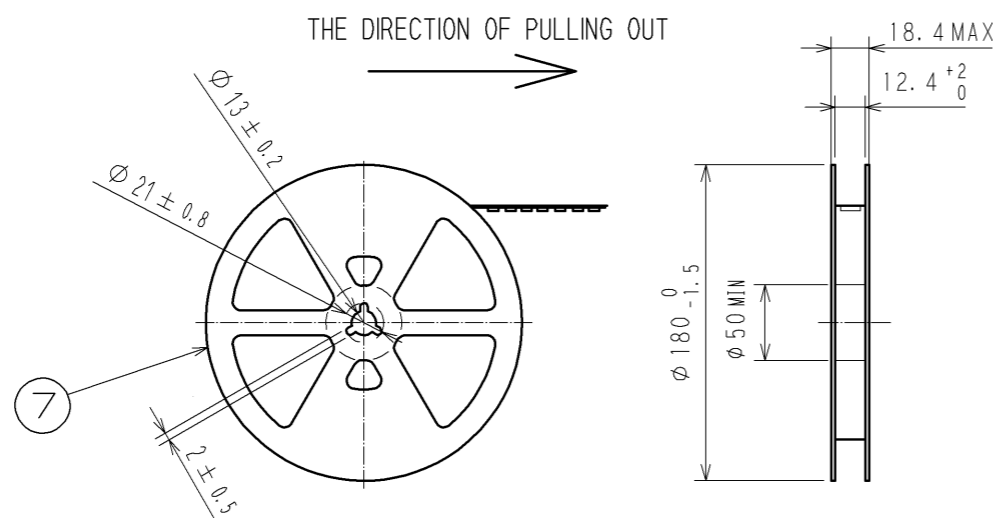
3	CU-NI-SI-ALLOY	SELECTIVE GOLD PLATING	7	PS	
2	LCP-M		6	PS	
1	BRASS	SELECTIVE GOLD PLATING	5	PS	
NO.	MATERIAL	FINISH . REMARKS	NO.	MATERIAL	FINISH . REMARKS
UNITS	mm	SCALE	15 : 1	COUNT	2
DESCRIPTION OF REVISIONS		DESIGNED	TS. NAKAGAWA	CHECKED	NK. NINOMIYA
DATE		11.09.13	DRAWING NO. EDC3-180771-01		
APPROVED : KJ. KAWAMURA		08.11.08	PART NO. MS-180(20)		
CHECED : TY. OZAKI		08.11.07	CODE NO. CL358-0265-7-20		
DESIGNED : TS. NAKAGAWA		08.11.07	1/2		
DRAWN : TS. NAKAGAWA		08.11.07			

PACKAGING SPECIFICATION (2:1)

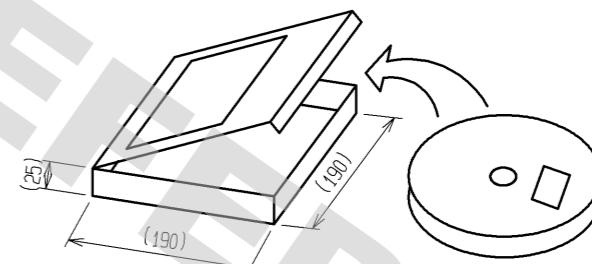


REEL DIMENSIONS(FREE)

3000 PIECES PER REEL



OUTER PACKAGING CASE(FREE)



HRS	DRAWING NO.	EDC3-180771-01
	PART NO.	MS-180(20)
	CODE NO.	CL358-0265-7-20
		4/2

DRAWING FOR REFERENCE: This is subject to change without notice
08/11/2012

Mouser Electronics

Authorized Distributor

Click to View Pricing, Inventory, Delivery & Lifecycle Information:

[Hirose Electric:](#)

[MS-180\(20\)](#)