

FIG 1  
 SURFACE MOUNT NON-PASS THRU ENTRY  
 (-104 POSITION SHOWN)  
 ALL DIMENSION ARE SYMMETRICAL ABOUT THE CENTERLINE

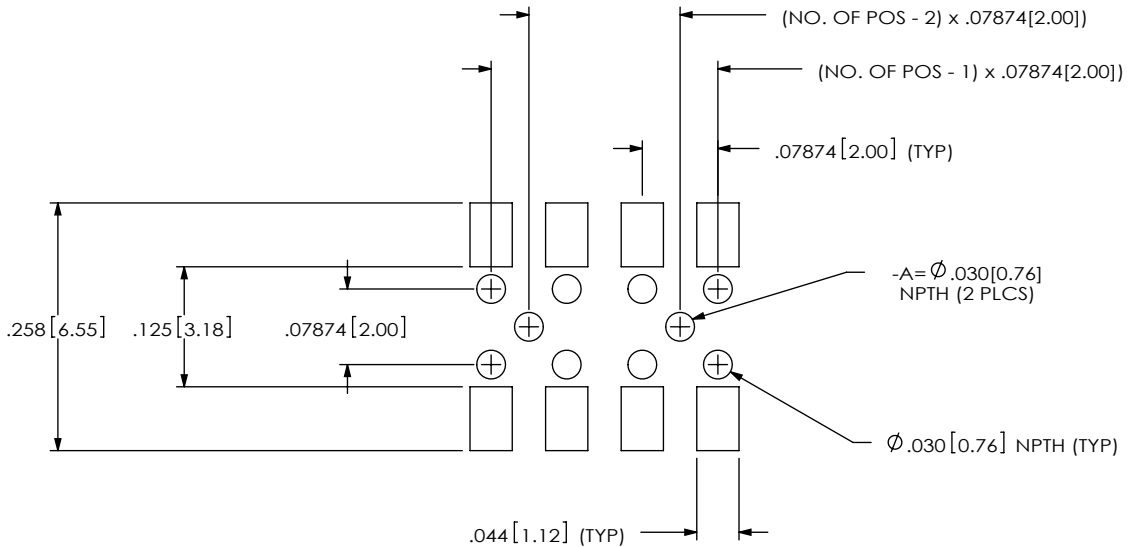


FIG 2  
 SURFACE MOUNT PASS THRU ENTRY  
 (-104 POSITION SHOWN)  
 ALL DIMENSION ARE SYMMETRICAL ABOUT THE CENTERLINE

**PROPRIETARY NOTE**  
 THIS DOCUMENT CONTAINS INFORMATION CONFIDENTIAL AND PROPRIETARY TO SAMTEC, INC. AND SHALL NOT BE REPRODUCED OR TRANSFERRED TO OTHER DOCUMENTS OR DISCLOSED TO OTHERS OR USED FOR ANY PURPOSE OTHER THAN THAT WHICH IT WAS OBTAINED WITHOUT THE EXPRESSED WRITTEN CONSENT OF SAMTEC, INC.



520 PARK EAST BLVD, NEW ALBANY, IN 47150  
 PHONE: 812-944-6733 FAX: 812-948-5047  
 e-Mail info@SAMTEC.com code 55322

NOTE:  
STENCIL TO BE .006[0.15] THICK.

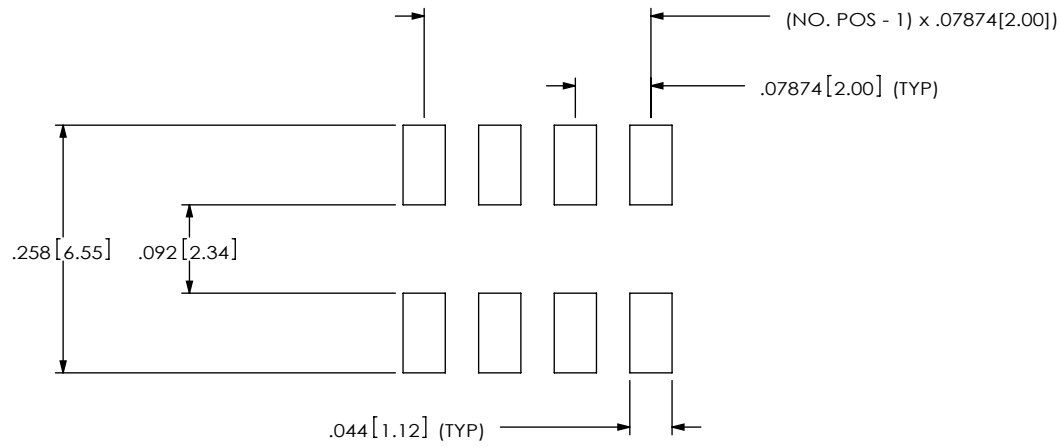


FIG 3  
SURFACE MOUNT NON-PASS THRU ENTRY  
(-104 POSITION SHOWN)  
ALL DIMENSION ARE SYMMETRICAL ABOUT THE CENTERLINE

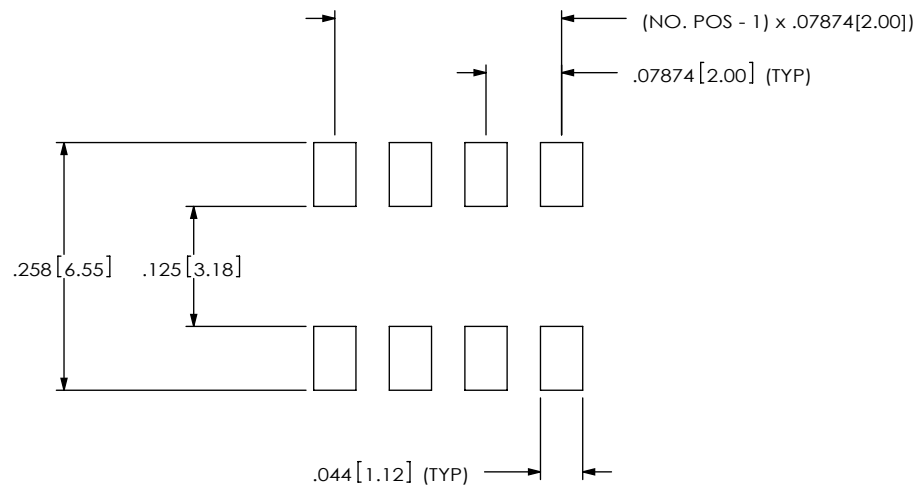


FIG 4  
SURFACE MOUNT PASS THRU ENTRY  
(-104 POSITION SHOWN)  
ALL DIMENSION ARE SYMMETRICAL ABOUT THE CENTERLINE

**PROPRIETARY NOTE**  
THIS DOCUMENT CONTAINS INFORMATION  
CONFIDENTIAL AND PROPRIETARY TO  
SAMTEC, INC. AND SHALL NOT BE REPRODUCED  
OR TRANSFERRED TO OTHER DOCUMENTS OR  
DISCLOSED TO OTHERS OR USED FOR ANY  
PURPOSE OTHER THAN THAT WHICH IT WAS  
OBTAINED WITHOUT THE EXPRESSED WRITTEN  
CONSENT OF SAMTEC, INC.



520 PARK EAST BLVD, NEW ALBANY, IN 47150  
PHONE: 812-944-6733 FAX: 812-948-5047  
e-Mail info@SAMTEC.com code 55322