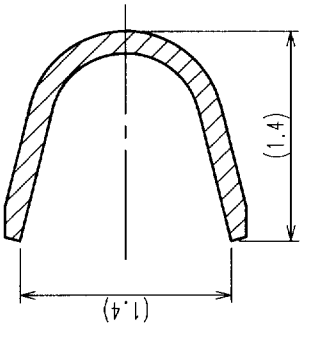
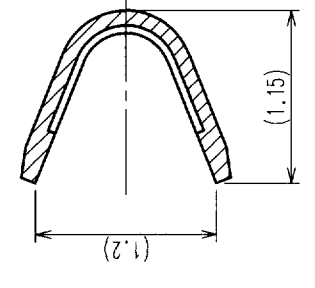
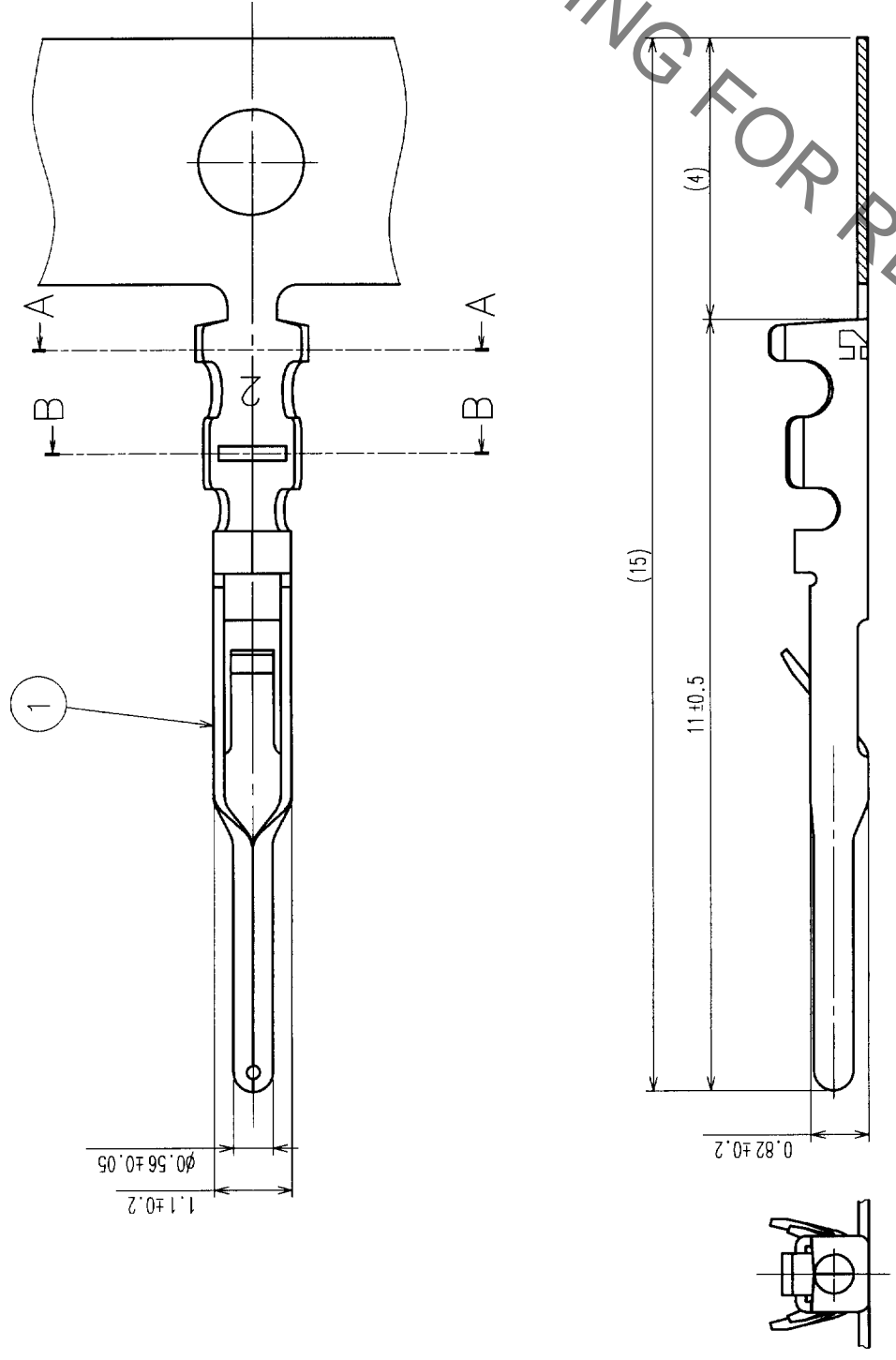


Jan. 1. 2022 Copyright 2022 HIROSE ELECTRIC CO., LTD. All Rights Reserved.
 In case of consideration for using Automotive equipment / device which demand high reliability, kindly contact our sales window correspondents.

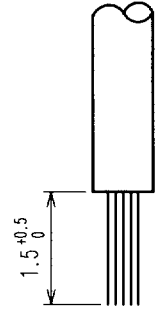
COUNT	DESCRIPTION OF REVISIONS	BY	CHKD	DATE	COUNT	DESCRIPTION OF REVISIONS	BY	CHKD	DATE
△					△				
△					△				
△					△				

B-B(20:1)

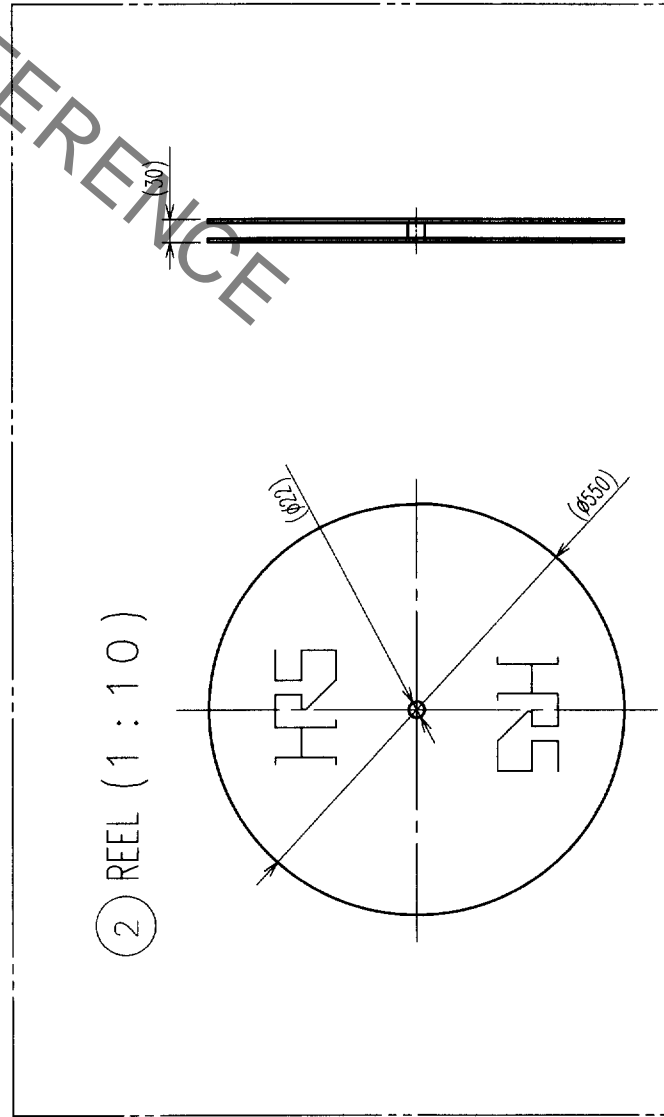
A-A(20:1)



3 > FIG.1 RECOMMENDED CABLE PREPARATION DIMENSIONS



- NOTES
- 1 THIS PRODUCT IS APPLY TO THE WIRE 26-30 AWG(WIRE JACKET DIAMETER φ1 MAX).
 - 2 PER REEL: 10000 CONTACTS
 - 3 > RECOMMENDED CABLE PREPARATION DIMENSIONS ARE SHOWN IN FIG.1.



NO.	PHOSPHOR BRONZE MATERIAL	SELECTIVE GOLD PLATING FINISH, REMARKS	CARTON NO.	(TERMINAL WINDING REEL)
1			2	

CODE NO. (OLD)	DRAWN	DESIGNED	CHECKED	APPROVED	RELEASED
	H.Zemba	H.Zemba	E.Kunii	M. Gyabuda	
	01-01-05	01-01-05	01-01-05	01-01-10	

DRAWING NO.	PART NO.
EDC3-112452	HR30-PC-211

SCALE	UNITS	CODE NO.
10 : 1	mm	CL130-0016-0

TO	
R	



Mouser Electronics

Authorized Distributor

Click to View Pricing, Inventory, Delivery & Lifecycle Information:

[Hirose Electric:](#)

[HR30-PC-211](#)