

## Bluetooth® Low Energy Module

### Features

- Qualified for Bluetooth® SIG v5.0 Core Specification, QDID: 110115
- Certified to FCC, ISED, CE, KCC, NCC and SRRC
- On-Board Bluetooth Low Energy (BLE) Stack
- ASCII Command Interface API Over UART
- Scripting Engine for Hostless Operation
- Compact Form Factor – The RN4870/71 family comes in four different sizes, from 6 mm x 8 mm to 12 mm x 22 mm:
  - RN4870: 12 mm x 22 mm
  - RN4871: 9 mm x 11.5 mm
  - RN4870U: 12 mm x 15 mm
  - RN4871U: 6 mm x 8 mm
- Beacon Private Service for Beacon Services
- UART Transparent Service for Serial Data Applications
- Remote Configuration Over-the-Air

### Operational

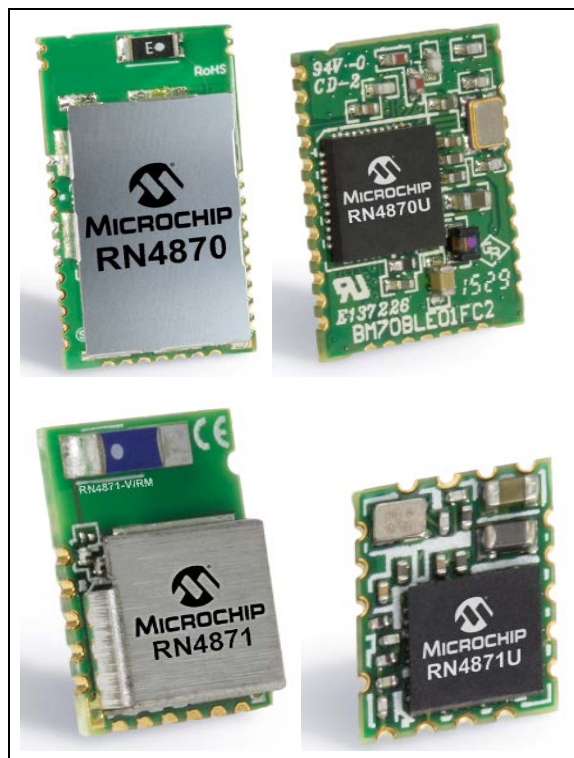
- Operating Voltage: 1.9V to 3.6V (3.3V typical)
- Temperature Range:
  - -20°C to +70°C (Normal)
  - -40°C to +85°C (Industrial)
- Supports UART
- Up to Three Pulse-Width Modulation (PWM) Outputs (only for RN4870)

### RF/Analog Features

- ISM Band 2.402 to 2.480 GHz Operation
- Channels: 0-39
- RX Sensitivity: -90 dBm
- TX Power: 0 dBm
- RSSI Monitor

### MAC/Baseband/Higher Layer Features

- Secure AES128 Encryption
- GAP, GATT, SM, L2CAP and Integrated Public Profiles
- Customer Can Create up to Five Public and Four Private Services
- Software Configurable Role as Peripheral or Central and Client or Server



### Antenna Options

- Chip Antenna Range based on Open Air Measurements and Phone Module Connection:
  - RN4870: Up to 50m
  - RN4871: Up to 10m
- External Antenna Connection via RF Pad (RN4870U/RN4871U)

### Applications

- Health/Medical Devices
- Sports Activity/Fitness Meters
- Beacon Applications
- Internet of Things (IoT) Sensor Tag
- Remote Control
- Wearable Smart Devices and Accessories
- Smart Energy/Smart Home
- Industrial Control

## Table of Contents

1.0 Device Overview .....	3
2.0 Specifications .....	11
3.0 Interface Pins .....	13
4.0 Physical Dimensions and Attributes.....	15
5.0 Application Reference Circuits .....	25
6.0 ASCII Command API .....	29
7.0 Supported Services.....	31
8.0 Antenna Characteristics .....	33
9.0 Timing Characteristics.....	35
10.0 Ordering Information .....	37
11.0 Regulatory Approval.....	39
Appendix A: Revision History.....	46
The Microchip Website .....	48
Customer Change Notification Service .....	48
Customer Support .....	48

### TO OUR VALUED CUSTOMERS

It is our intention to provide our valued customers with the best documentation possible to ensure successful use of your Microchip products. To this end, we will continue to improve our publications to better suit your needs. Our publications will be refined and enhanced as new volumes and updates are introduced.

If you have any questions or comments regarding this publication, please contact the Marketing Communications Department via E-mail at [docerrors@microchip.com](mailto:docerrors@microchip.com). We welcome your feedback.

#### Most Current Data Sheet

To obtain the most up-to-date version of this data sheet, please register at our Worldwide Website at:

<http://www.microchip.com>

You can determine the version of a data sheet by examining its literature number found on the bottom outside corner of any page. The last character of the literature number is the version number, (e.g., DS30000000A is version A of document DS30000000).

#### Errata

An errata sheet, describing minor operational differences from the data sheet and recommended workarounds, may exist for current devices. As device/documentation issues become known to us, we will publish an errata sheet. The errata will specify the revision of silicon and revision of document to which it applies.

To determine if an errata sheet exists for a particular device, please check with one of the following:

- Microchip's Worldwide Website; <http://www.microchip.com>
- Your local Microchip sales office (see last page)

When contacting a sales office, please specify which device, revision of silicon and data sheet (include literature number) you are using.

#### Customer Notification System

Register on our website at [www.microchip.com](http://www.microchip.com) to receive the most current information on all of our products.

## 1.0 DEVICE OVERVIEW

### 1.1 Overview

The RN4870/71 BLE module integrates Bluetooth 5.0 baseband controller, on-board Bluetooth stack, digital and analog I/Os and RF power amplifier into one solution.

Table 1-1 shows the various options for packaging and features available in the RN4870/71 family. Table 1-2 provides the description of the pin functions for all the modules in the RN4870/71 family. Figure 1-1 through Figure 1-4 show the pinouts for the different modules.

**TABLE 1-1: RN4870/71 FAMILY**

Part Number <sup>(1)</sup>	On-Board Antenna	Shielding	Number of Pins	Dimensions	Operating Temperature Range
RN4870-V/RMXXX	Yes	Yes	33	12 mm x 22 mm	-20°C to +70°C
RN4870U-V/RMXXX	No	No	30	12 mm x 15 mm	-20°C to +70°C
RN4871-V/RMXXX	Yes	Yes	16	9 mm x 11.5 mm	-20°C to +70°C
RN4871U-V/RMXXX	No	No	17	6 mm x 8 mm	-20°C to +70°C
RN4870-I/RMXXX	Yes	Yes	33	12 mm x 22 mm	-40°C to +85°C
RN4871-I/RMXXX	Yes	Yes	16	9 mm x 11.5 mm	-40°C to +85°C

**Note 1:** The last three digits in P/N indicate the firmware version. At the time of publication, the latest firmware version is 1.28. Ensure to check the product webpage for the latest part number and firmware version.

**TABLE 1-2: PIN DESCRIPTION**

RN4870U	RN4870	RN4871U	RN4871	Name	Type	Description
—	1	—	—	GND	Power	Ground reference.
—	2	—	—	GND	Power	Ground reference.
1	3	12	13	GND	Power	Ground reference.
2	4	11	14	VBAT	Power	Positive supply input. Range: 1.9V ~ 3.6V.
—	—	10	—	BK_IN	Power	Buck power supply input, Can be connected to the VBAT pin, Connect to 10 µF low-ESR ceramic capacitor, Voltage range: 1.9V to 3.6V.
3	5	—	—	P2_2	D I/O	GPIO, PWM1 (only for RN4870), Default: Input; pulled high.
4	6	—	—	VDD_IO	Power	I/O positive supply. Do not connect. Ensure VDD_IO and MCU I/O voltage are compatible.
5	7	—	—	VDD_IO	Power	I/O positive supply. Do not connect. Ensure VDD_IO and MCU I/O voltage are compatible.
6	8	—	—	ULPC_O	Power	1.2V ULPC LDO output, Used for diagnostic purposes, <i>Do not connect</i> to any pin or device, For measurement, connect a bypass 1 µF capacitor to ground.
7	9	—	—	P2_3	D I/O	GPIO, PWM2 (only for RN4870), Default: Input; pulled high.
8	10	—	—	BK_O	Power	1.55V Buck power supply output for diagnostic purpose. <i>Do not connect.</i>

**Legend:** Pin Type Abbreviations: A = Analog D = Digital I/O = Input/Output I/p = Input O/p = Output

# RN4870/71

**TABLE 1-2: PIN DESCRIPTION (CONTINUED)**

RN4870U	RN4870	RN4871U	RN4871	Name	Type	Description
—	—	13	6	P1_6	D	Configurable pin. Refer to <a href="#">Section 1.2 “Module Configuration”</a> for details. When connected to host MCU, set the pin connected to pin P1_6 in either high-impedance or drive pin low during firmware start-up (approximately 22 msec).
—	—	14	5	P1_7	D	Configurable pin. Refer to <a href="#">Section 1.2 “Module Configuration”</a> for details.
9	11	15	15	P2_7	D O/p	UART_TX_IND output pin. Provides indication if RN4870 is transmitting to host MCU over UART. Pulled low before UART TX begins and pulled high after UART TX is over.
10	12	—	—	P1_1	D I/O A I/p	GPIO; default: Input; pulled high, AD9, Configured as the BLEDK_STATUS1_IND pin by default.
11	13	2	3	P1_2	D I/O A I/p	GPIO; default: Input; pulled high, AD10; I <sup>2</sup> C SCL pin.
12	14	3	4	P1_3	D I/O	GPIO; default: Input; pulled high, AD11; I <sup>2</sup> C SDA pin.
13	15	8	11	P0_0	D I/O	GPIO; default: Input; pulled high, AD0, Configured as the UART_CTS pin by default.
14	16	—	—	P1_0	D I/O	GPIO; default: Input; pulled high, AD8, Configured as the BLEDK_STATUS2_IND pin by default.
15	17	6	9	P3_6	D I/O	GPIO; default: Input; pulled high (only for RN4870), Configured as the UART_RTS pin by default.
16	18	16	16	P2_0	D I/p	System configuration input; 1: Application mode 0: Test mode/Flash update/EEPROM configuration Default: Input; pulled high.
17	19	—	—	P2_4	D I/O	GPIO; default: Input; pulled high.
18	20	—	—	NC	—	No connection.
19	21	7	10	RST_N	D I/p	Module Reset; active-low; Internally pulled high.
20	22	5	7	UART_RX	D I/p	UART data input.
21	23	4	8	UART_TX	D O/p	UART data output.
22	24	—	—	P3_1	D I/O	GPIO; default: Input; pulled high, Configured as RSSI_IND pin by default; SPI NCS Bus.
23	25	—	—	P3_2	D I/p	GPIO; default: Input; pulled high, Configured as the LINK_DROP pin by default; SPI MISO pin.
24	26	—	—	P3_3	D I/p	GPIO; default: Input; pulled high, Configured as the UART RX indication pin by default; SPI MOSI pin.
25	27	—	—	P3_4	D I/p	GPIO; default: Input; pulled high, Configured as the PAIRING_KEY pin by default; SPI SCLK pin.

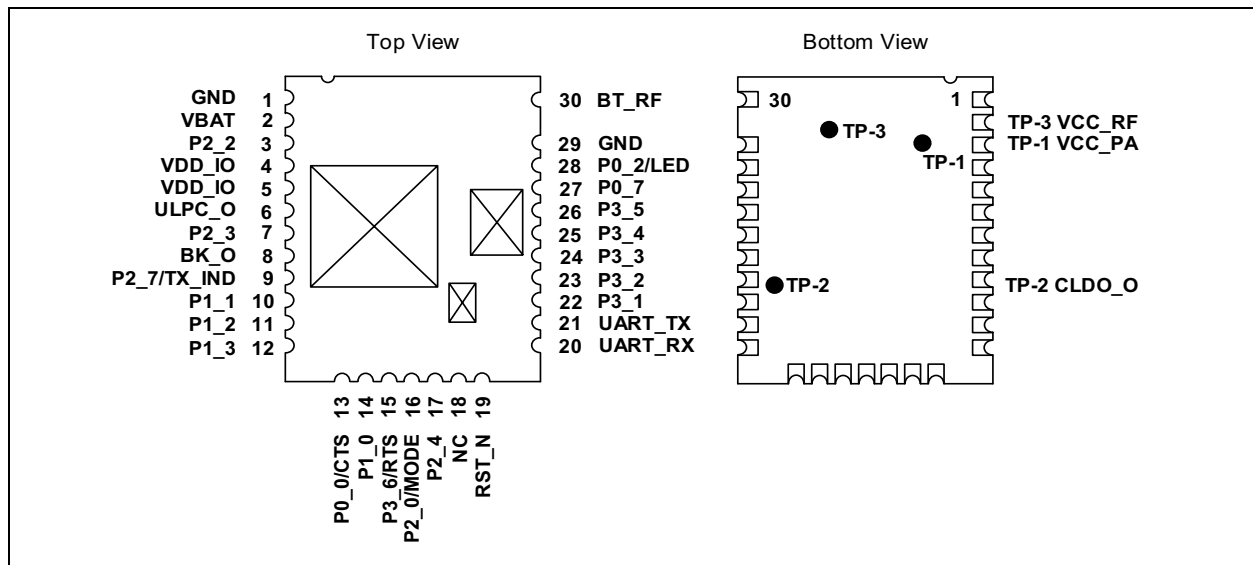
**Legend:** Pin Type Abbreviations: A = Analog D = Digital I/O = Input/Output I/p = Input O/p = Output

**TABLE 1-2: PIN DESCRIPTION (CONTINUED)**

RN4870U	RN4870	RN4871U	RN4871	Name	Type	Description
26	28	—	—	P3_5	D I/O A I/p	GPIO; default: Input; pulled high, LED1; provides indication whether the module is on/off.
27	29	—	—	P0_7	D I/O	GPIO; default: Input; pulled high, Configured to the LOW_BATTERY_INDICATOR pin by default.
28	30	9	12	P0_2	D I/O	AD2, LED0: Provides indication whether the module is in On/Off mode.
29	31	17	2	GND	Power	Ground reference.
—	32	—	—	GND	Power	Ground reference.
30	—	1	—	BT_RF	A I/O	External antenna connection (50 Ohms). Only for RN4870U and RN4871U. No connection for RN4871.
—	33	—	—	GND	Power	Ground reference.

**Legend:** Pin Type Abbreviations: A = Analog D = Digital I/O = Input/Output I/p = Input O/p = Output

**FIGURE 1-1: PIN DIAGRAM – RN4870U**



# RN4870/71

FIGURE 1-2: PIN DIAGRAM – RN4870

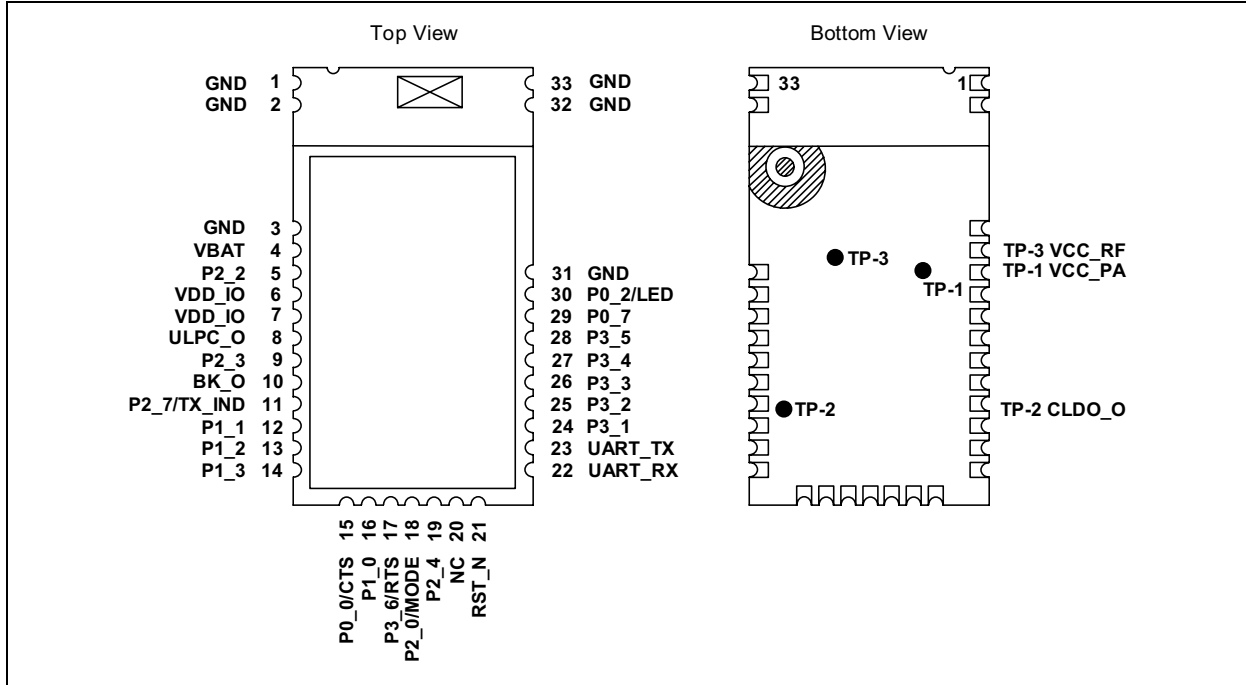


FIGURE 1-3: PIN DIAGRAM – RN4871U

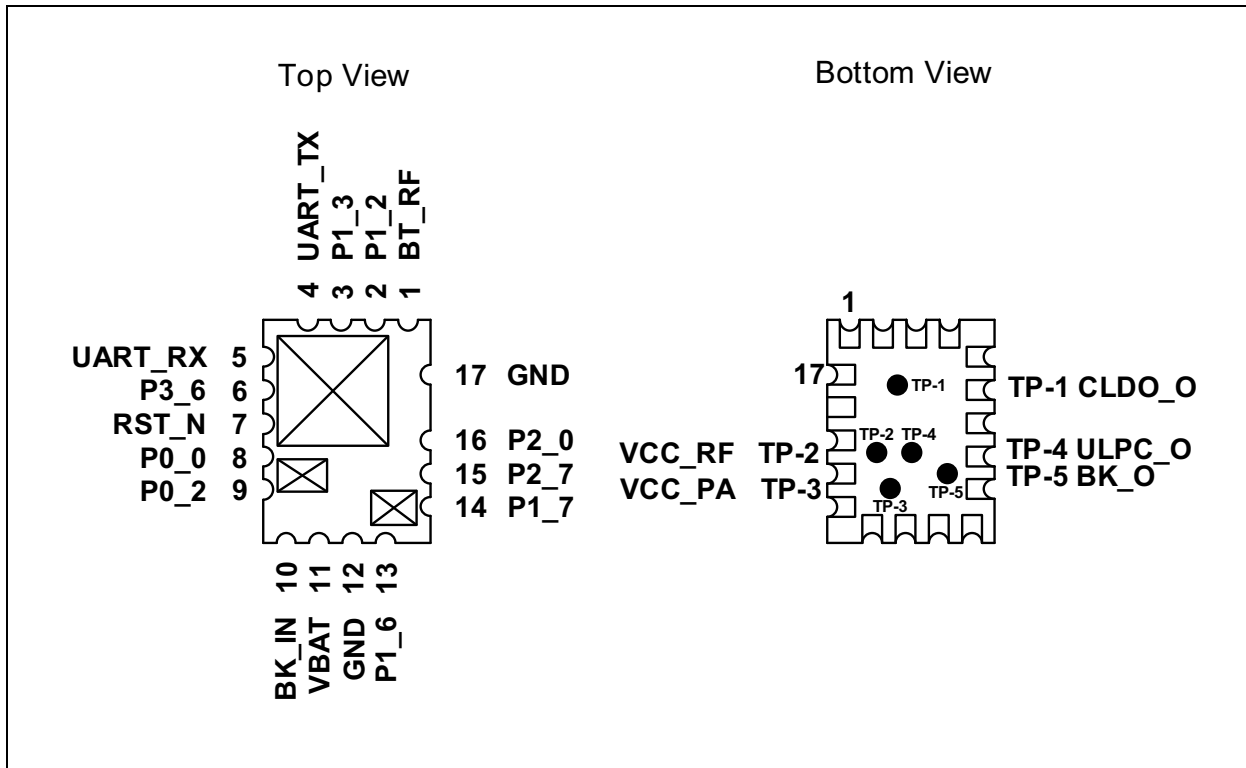
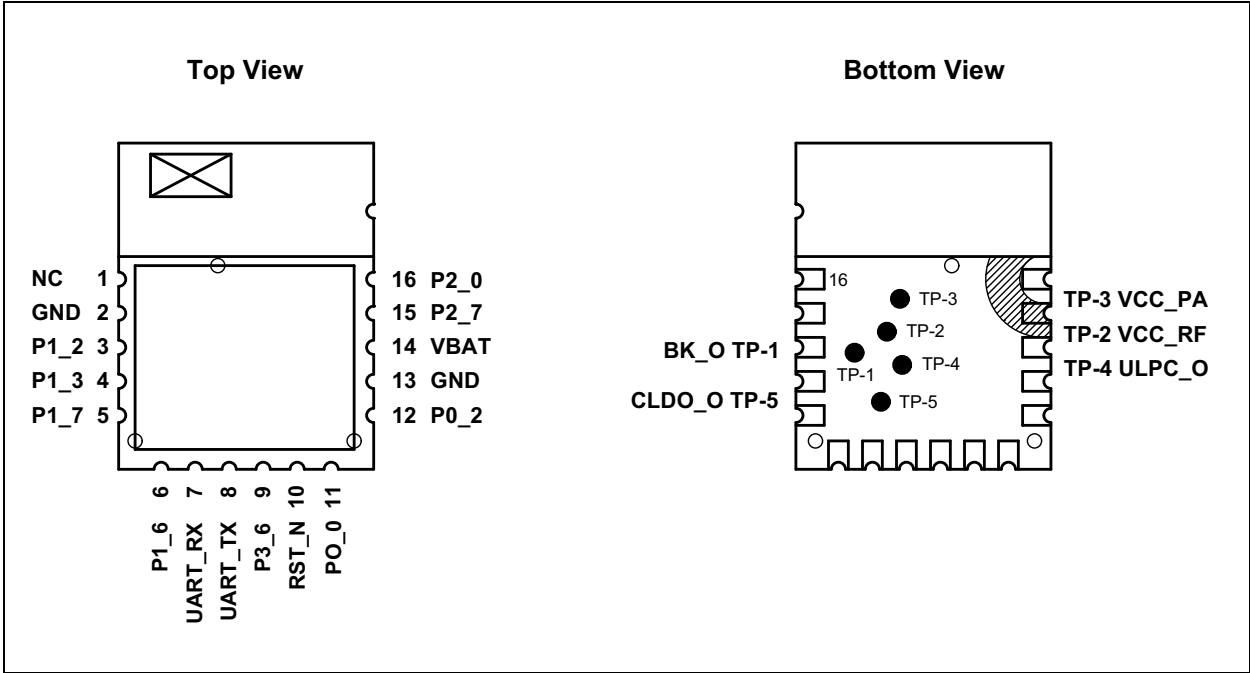


FIGURE 1-4: PIN DIAGRAM – RN4871



# RN4870/71

## 1.2 Module Configuration

The GPIO pins of the RN4870 and RN4871 modules can be configured for different functions using the ASCII command interface. [Table 1-3](#) shows the various pins in the RN4870/71 module that are available for configuration and their default configuration settings. [Table 1-4](#) provides details on each available function.

[Table 1-5](#) shows the status of the module as indicated by the Status 1 and Status 2 indication pins. [Table 1-6](#) shows the details of test pads that are present on the bottom side of the module, used for diagnostic purposes during testing. [Figure 1-5](#) shows all the key elements of the module.

**TABLE 1-3: CONFIGURABLE PINS AND DEFAULT FUNCTIONS IN THE RN4870 AND RN4871**

Pin Name	Available in		Default Function
	RN4870	RN4871	
P0_7	x	—	Low Battery Indication
P1_0	x	—	Status 2
P1_1	x	—	Status 1
P2_2	x	—	None
P2_4	x	—	None
P3_1	x	—	RSSI Indication
P3_2	x	—	Link Drop
P3_3	x	—	UART RX Indication
P3_4	x	—	Pairing Key
P3_5	x	—	None
P1_2	x	x	None
P1_3	x	x	None
P1_6	—	x	UART RX Indication
P1_7	—	x	None

**TABLE 1-4: CONFIGURABLE FUNCTIONS AND DESCRIPTIONS**

Function Name	Description
Low Battery Indication	Pin output goes low when the VDD is below a specified level. To set the threshold level, change the EEPROM settings.
Status 1	Use this indication pin along with the Status 2 pin to indicate the current status of the module. Refer to <a href="#">Table 1-5</a> for details of the status indication.
Status 2	Use this indication pin along with the Status 1 pin to indicate the current status of the module. Refer to <a href="#">Table 1-5</a> for details of the status indication.
RSSI Indication	Use this indication pin to indicate the quality of the link based on the RSSI level. If the RSSI level is lower than the specified threshold value, then the RSSI indication pin goes low. Set the threshold for the RSSI link quality in EEPROM.
Link Drop	When the RN4870/71 is connected to a remote device, the host MCU can use the Link Drop pin to force the module to disconnect the link and enter Shutdown state. The pin needs to be pulled low for at least 10 ms.
UART RX Indication	Use this pin to enable communication with the UART when the module is in Low-Power mode. When <i>not</i> in Low-Power mode, the module runs on a 16 MHz clock. If Low-Power mode is enabled on the module by using the command, <code>SO, 1</code> , the module runs on a 32 kHz clock, thus reducing power consumption. However, in Low-Power mode, the host MCU <i>cannot</i> communicate with the module via the UART since the UART is <i>not</i> operational. If the user intends to provide data or commands via UART in the Low-Power mode, then the UART RX Indication pin must be pulled low and the user needs to wait for at least five milliseconds before sending the data. Pulling the UART RX Indication pin low allows the module to operate the 16 MHz clock and to enable UART.



**TABLE 1-4: CONFIGURABLE FUNCTIONS AND DESCRIPTIONS (CONTINUED)**

Function Name	Description
Pairing Key	When the RN4870/71 is connected to a remote device, the host MCU can use the Pairing Key pin to force the module to disconnect the link and go back to Standby state. The pin must be pulled down for at least 160 ms.
RF Active Indication	Use this indication pin to indicate that the module is currently performing an active transmission and receiving BLE data.

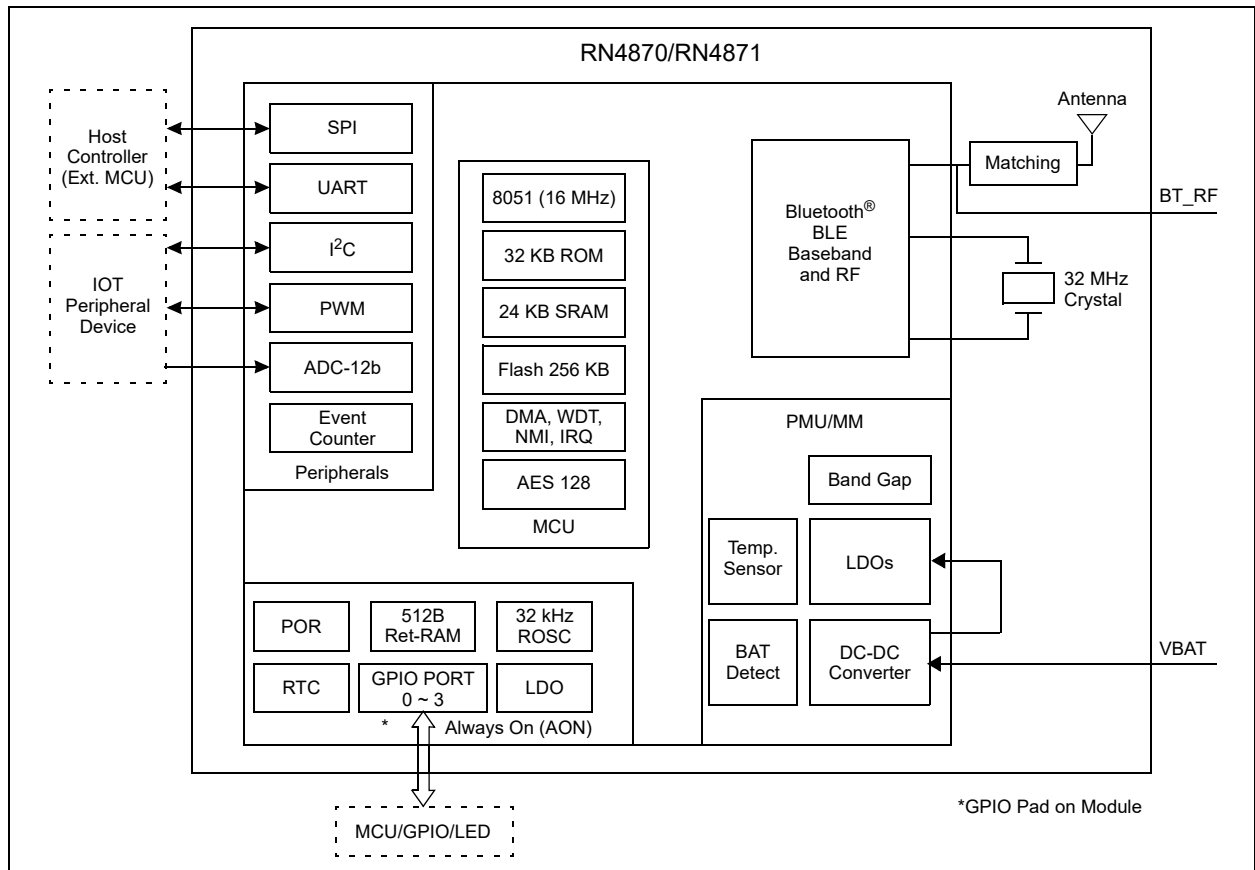
**TABLE 1-5: STATUS INDICATION PINS**

Status 1	Status 2	State
High	High	Power-on
High	Low	Standby state
Low	Low	Connection established
Low	High	Data session open (Transparent UART)

**TABLE 1-6: TEST POINTS ON THE BOTTOM SIDE**

RN4870U	RN4870	RN4871U	RN4871	Symbol	Description
TP-1	TP-1	TP-3	TP-3	VCC_PA	1.55V RF PA LDO
TP-2	TP-2	TP-1	TP-5	CLDO_O	1.2V CLDO Output
TP-3	TP-3	TP-2	TP-2	VCC_RF	1.2V RF LDO Output
—	—	TP-4	TP-4	ULPC_O	1.2V ULPC LDO Output
—	—	TP-5	TP-1	BK_O	1.55V Buck Reg Output

**FIGURE 1-5: BLOCK DIAGRAM OF THE RN4870/71**



# RN4870/71

---

NOTES:

## 2.0 SPECIFICATIONS

Table 2-1 provides the general specifications for the module. Table 2-2, Table 2-3 and Table 2-4 provide the electrical characteristics and the current consumption of the module.

**TABLE 2-1: GENERAL SPECIFICATIONS**

Specification	Description
Standard Compliance	Bluetooth® 5.0
Frequency Band	2.402 to 2.480 GHz
Modulation Method	GFSK
Maximum Data Rate (Transparent UART)	10 kbps (iOS®9)
Antenna	Ceramic
Interface	UART, AIO, PIO
Operating Range	1.9V to 3.6V
Sensitivity	-90 dBm
RF TX Power	0 dBm
Operating Temperature Range for RN4870-I and RN4871-I Modules	-40°C to +85°C
Operating Temperature Range for RN4870-V and RN4871-V Modules	-20°C to +70°C
Storage Temperature Range	-40°C to +125°C
Operating Relative Humidity Range	10% to 90%
Storage Relative Humidity Range	10% to 90%
Moisture Sensitivity Level	1

**TABLE 2-2: ELECTRICAL CHARACTERISTICS**

Parameter	Min.	Typ.	Max.	Units
Supply Voltage (VDD)	1.9	—	3.6	V
<b>I/O Voltage Levels</b>				
V <sub>IL</sub> Input Logic Levels Low	V <sub>SS</sub>	—	0.3 V <sub>DD</sub>	V
V <sub>IH</sub> Input Logic Levels High	0.7 V <sub>DD</sub>	—	V <sub>DD</sub>	V
V <sub>OL</sub> Output Logic Levels Low	V <sub>SS</sub>	—	0.2 V <sub>DD</sub>	V
V <sub>OH</sub> Output Logic Levels High	0.8 V <sub>DD</sub>	—	V <sub>DD</sub>	V
<b>Reset</b>				
Reset Low Duration	63	—	—	ns
<b>Input and Tri-State Current with</b>				
Pull-up Resistance	34	48	74	kΩ
Pull-Down Resistance	29	47	86	kΩ

# RN4870/71

TABLE 2-3: CURRENT CONSUMPTION<sup>(1)</sup>

Parameter	Min.	Typ.	Max.	Units
<b>Supply Current</b>				
TX Mode Peak Current at V <sub>DD</sub> = 3V, TX = 0 dBm, Buck Mode	—	10 at +25°C	13 at +75°C/+85°C	mA
RX Mode Peak Current at V <sub>DD</sub> = 3V, Buck Mode	—	10 at +25°C	13 at +75°C/+85°C	mA
Low-Power Mode Current <sup>(2)</sup>	—	60 at +25°C	—	μA
Shutdown Low-Power Mode	1	—	2.9	μA

**Note 1:** The current measurements are characterized across a sample of the RN4870/71 module at room temperature (+25°C), unless otherwise noted.

**2:** For more details on Low-Power mode, refer to the “RN4870/71 Bluetooth® Low Energy Module User’s Guide” (DS50002466).

TABLE 2-4: CURRENT CONSUMPTION DURING APPLICATION MODE

Test Mode	Interval (ms)	Average Current Consumption
Advertising <sup>(1,2,3)</sup>	20	1.061 mA
	50	505 μA
	100	298 μA
	500	113 μA
	1000	89 μA
Connected <sup>(1,2,4)</sup>	18.75	2.23 mA
	50	2.13 mA
	100	2.10 mA
	500	83 μA
	1000	80 μA

**Note 1:** These measurements are done at an operating temperature of +25°C at 3.3V and are characterized across a sample of the RN4870/71 module.

**2:** Measurements taken with Version 1.18 firmware loaded onto the module.

**3:** The advertising packet data payload is approximately 15 bytes in length.

**4:** The amount of data being transmitted between two peer devices can affect the average current measured. The average current measurements are done with only the necessary Bluetooth® packets being exchanged to keep the connection active at the stated interval.

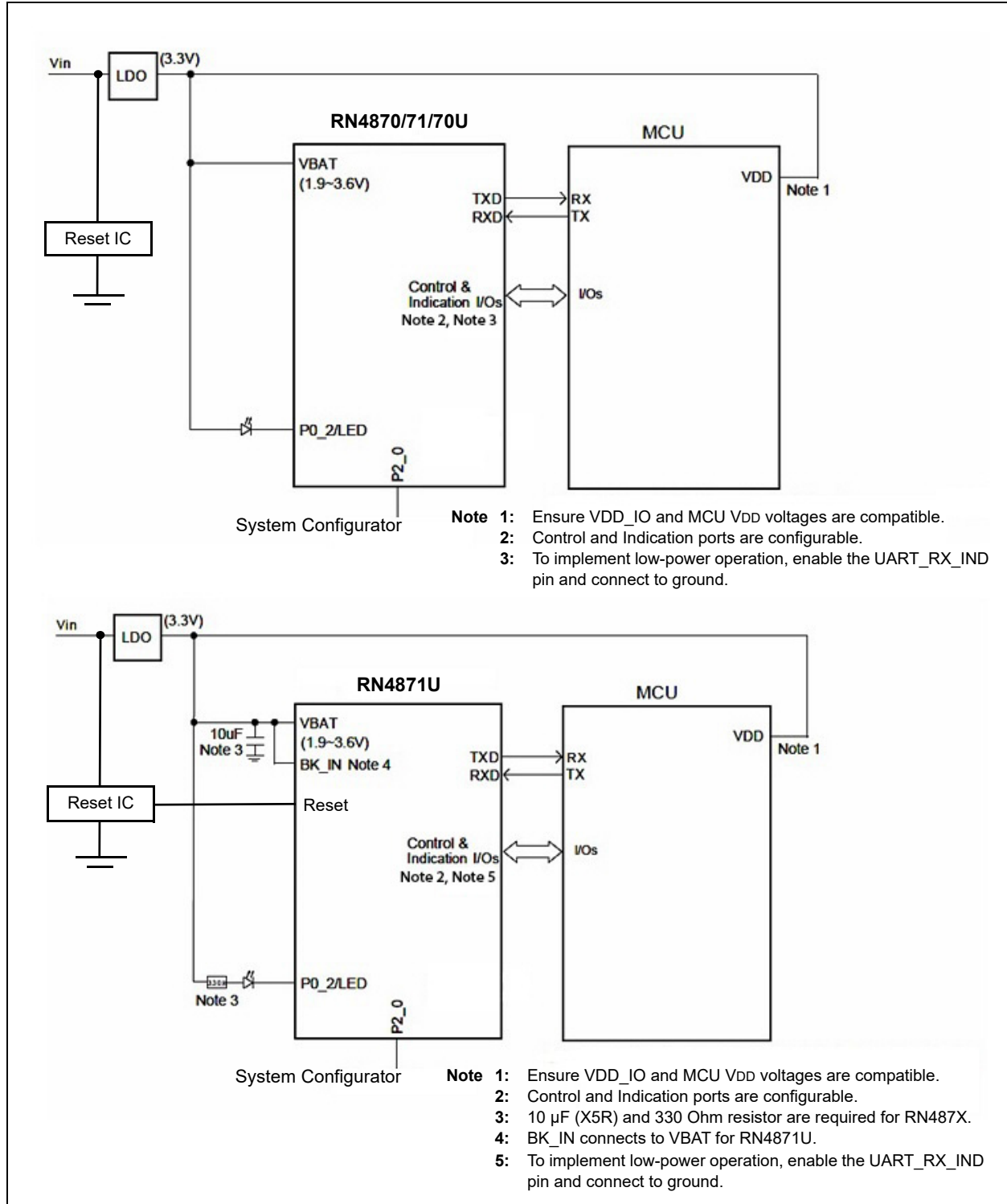
## 3.0 INTERFACE PINS

Figure 3-1 shows the power scheme using a 3.3V low-dropout regulator to the RN487X and a host MCU. This scheme ensures that the same voltage is used for both the module and the MCU.

Figure 3-1 also shows the basic UART connections to the host MCU.

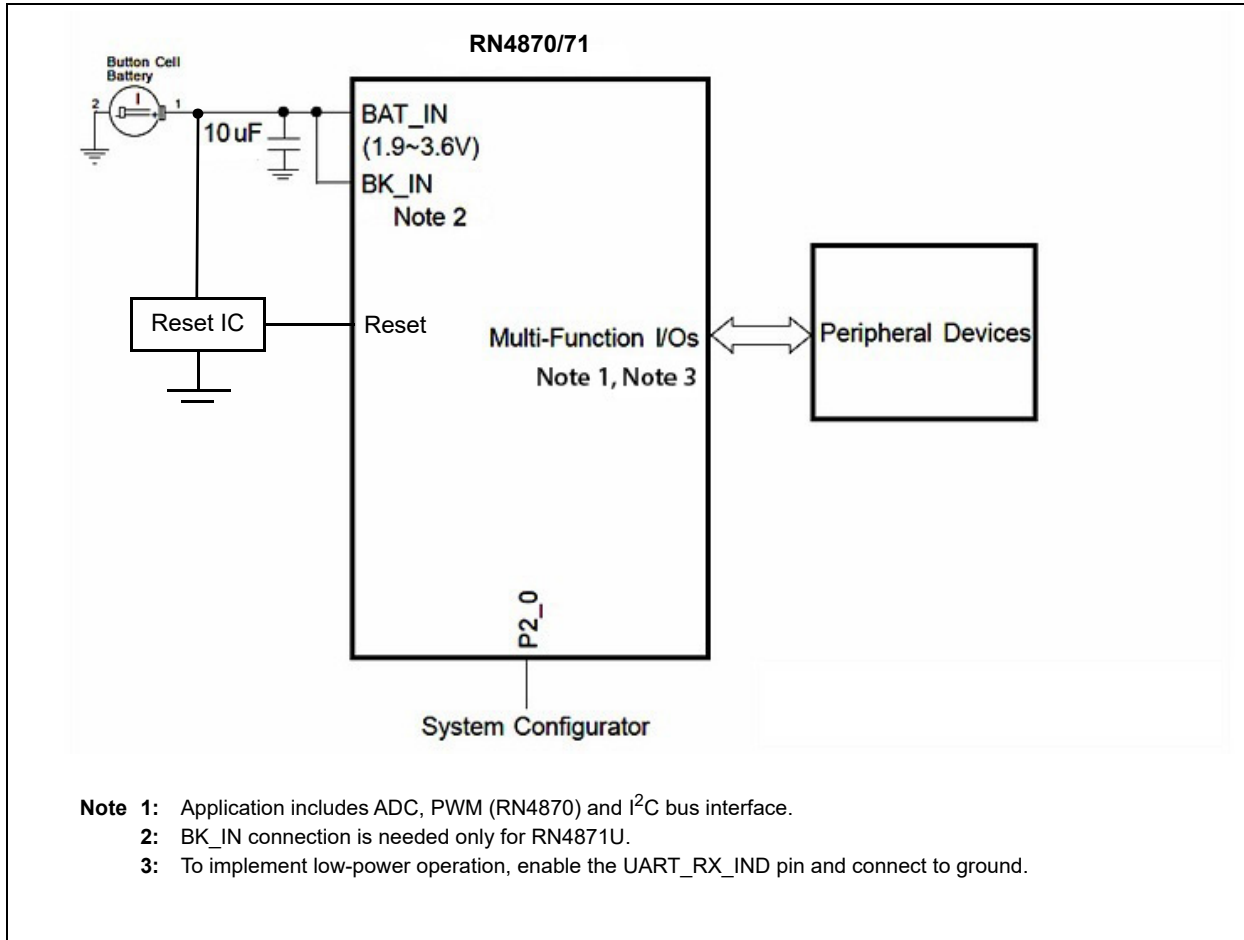
Figure 3-2 shows the recommended connections for running the RN4870/71 on a coin cell battery.

**FIGURE 3-1: POWER SCHEME**



# RN4870/71

FIGURE 3-2: RN4870/71 COIN CELL POWER SCHEME



The Configuration pins on the RN4870 can also be configured through a Windows<sup>®</sup> based User Interface (UI) configuration tool, BLEDK3.

## 4.0 PHYSICAL DIMENSIONS AND ATTRIBUTES

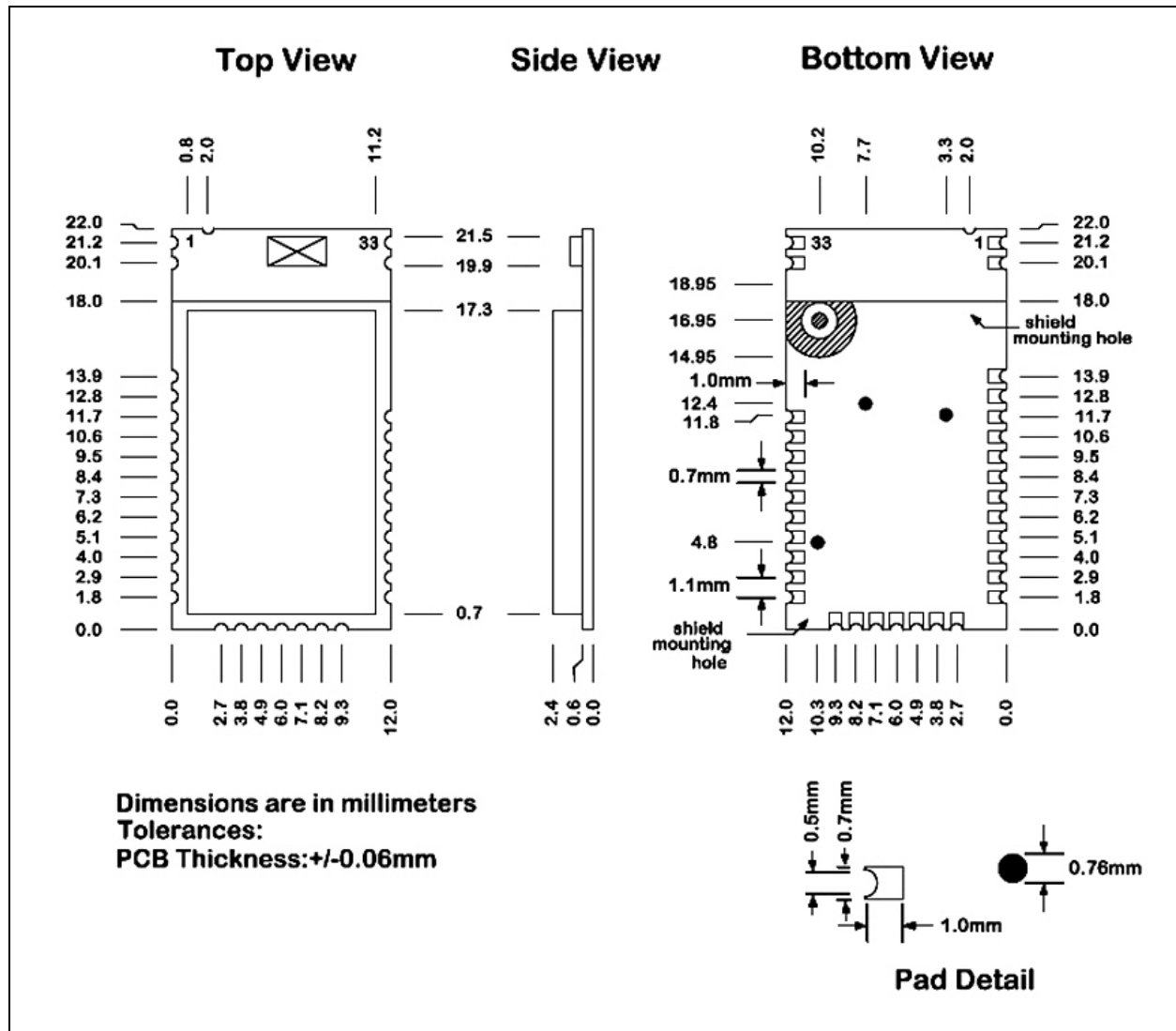
### 4.1 RN4870 Module

Figure 4-1 shows the physical dimensions of the RN4870 module. Figure 4-2 illustrates the recommended PCB layout and Figure 4-3 shows the recommended mounting details.

Ensure that there is *no* top copper layer near the test pin area, indicated by the shaded *keep out areas*, as shown in Figure 4-2. When laying out the host PCB, the

areas under the antenna must *not* contain any top, inner layer or bottom copper, as shown in Figure 4-3. A low-impedance ground plane ensures the best radio performance (best range, lowest noise). Figure 4-3 also shows a minimum ground plane area to the left and right side of the module for best antenna performance. The ground plane can be extended beyond the minimum recommended as required for host PCB EMC noise reduction. For best range performance, keep all external metal at least 30 mm away from the ceramic chip antenna.

FIGURE 4-1: RN4870 MODULE DIMENSIONS



# RN4870/71

FIGURE 4-2: RN4870 RECOMMENDED PCB FOOTPRINT

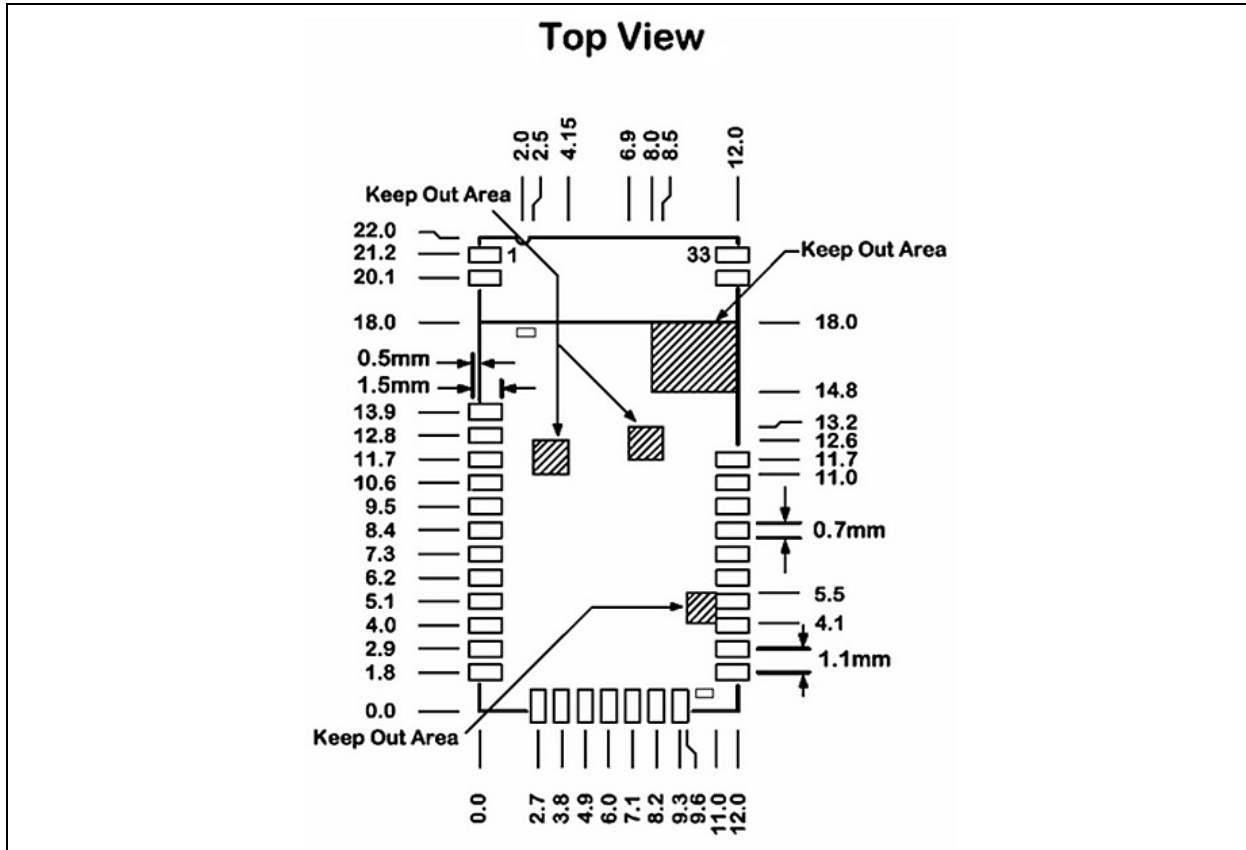
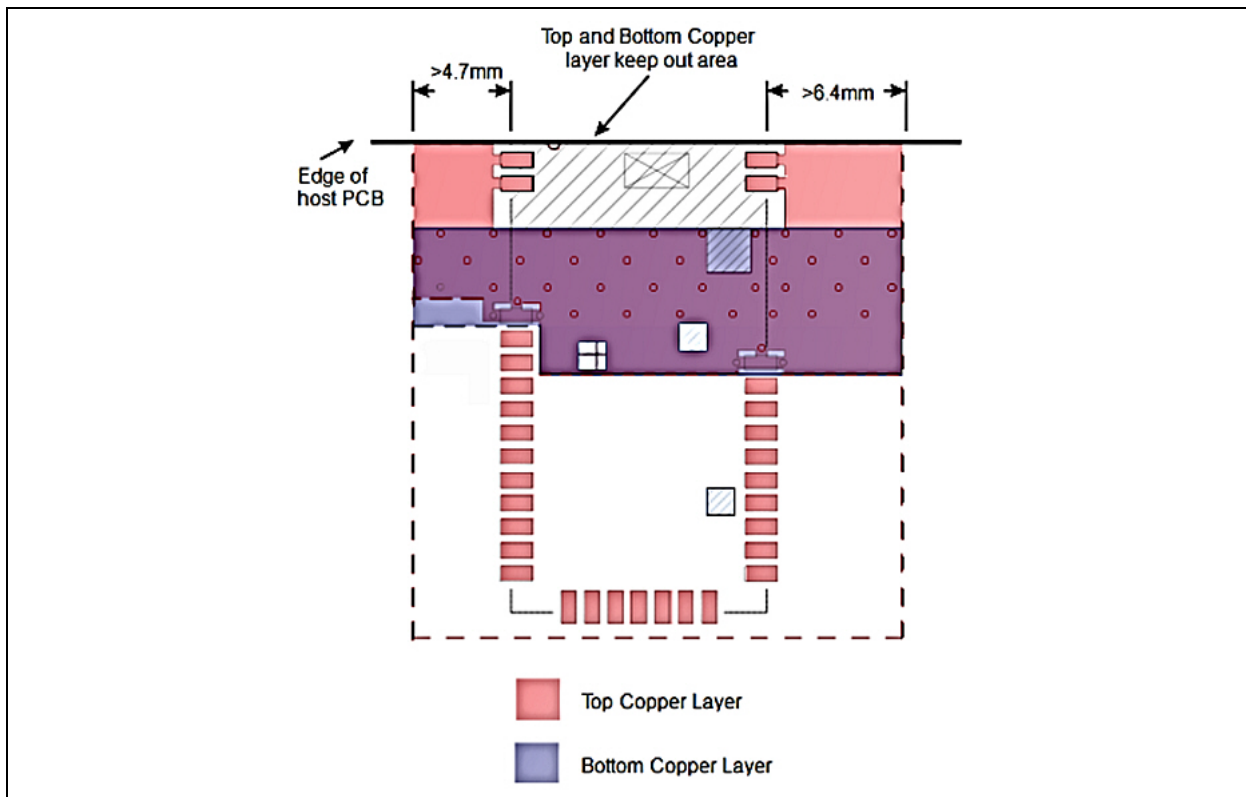


FIGURE 4-3: RECOMMENDED MOUNTING DETAILS





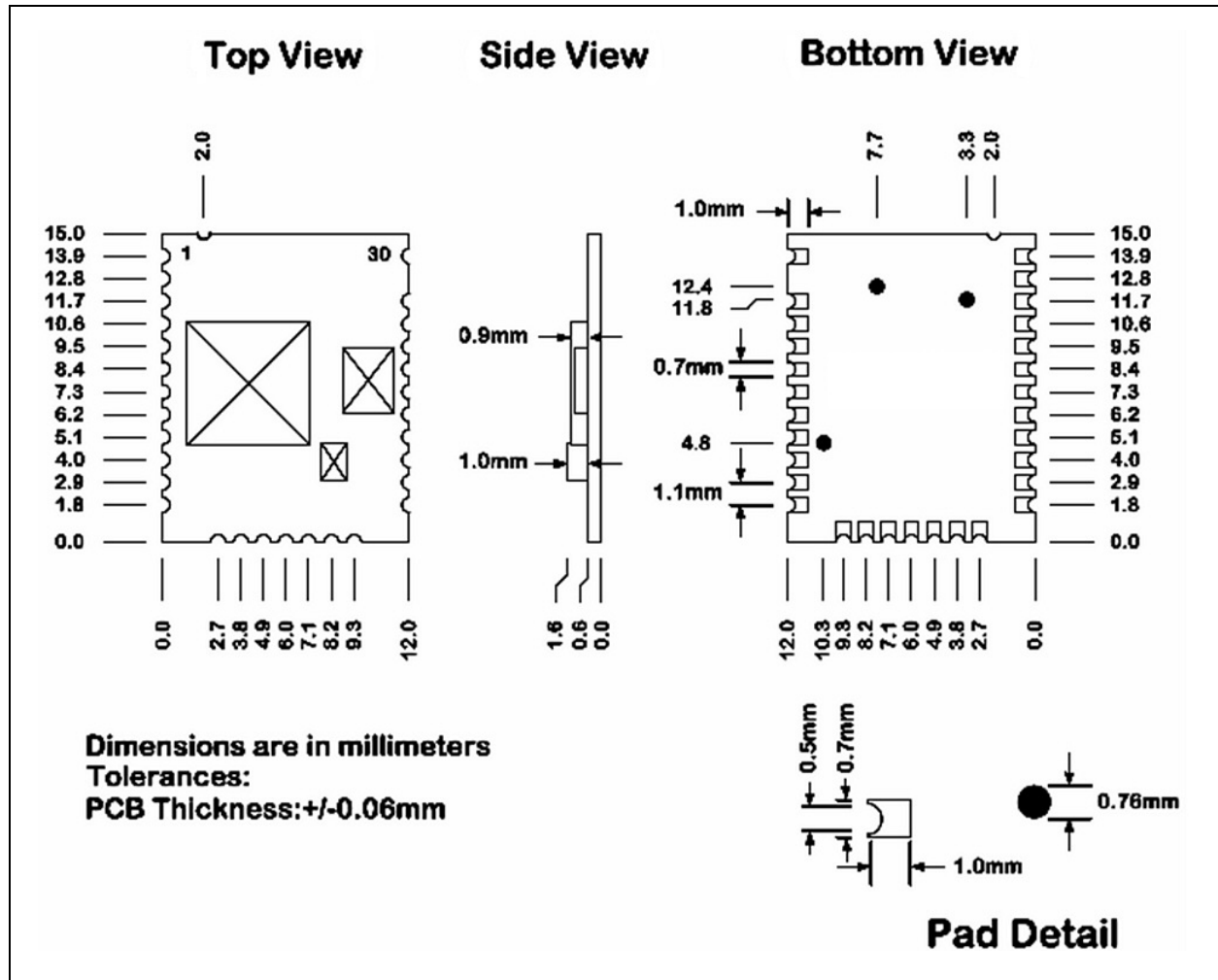
## 4.2 RN4870U Module

Figure 4-4 shows the physical dimensions of the RN4870U module. Figure 4-5 illustrates the recommended PCB layout and Figure 4-6 shows the recommended mounting details.

A low-impedance ground plane ensures the best radio performance (best range, lowest noise). Pin 30 (BT\_RF) is a 50 Ohm connection that can be connected to an

external antenna, such as a PCB trace antenna, a component (chip) antenna or through a host PCB 50 Ohm microstrip trace. This trace can be extended to include passive parts for antenna attenuation padding, impedance matching or to provide test posts. It is recommended that the microstrip trace be as short as possible for minimum loss and best impedance matching. If the microstrip trace is longer, a 50 Ohm impedance is recommended.

FIGURE 4-4: RN4870U MODULE DIMENSIONS



# RN4870/71

FIGURE 4-5: RN4870U RECOMMENDED PCB FOOTPRINT

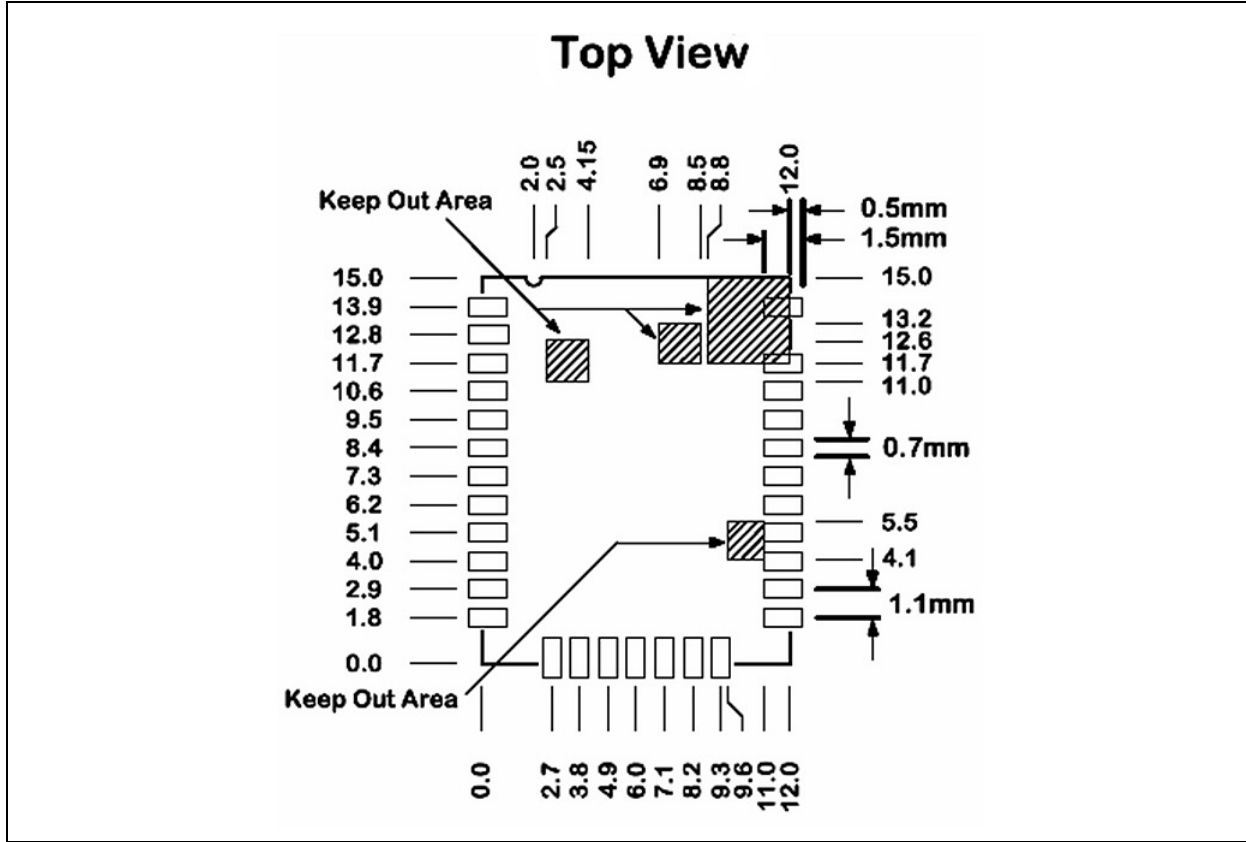
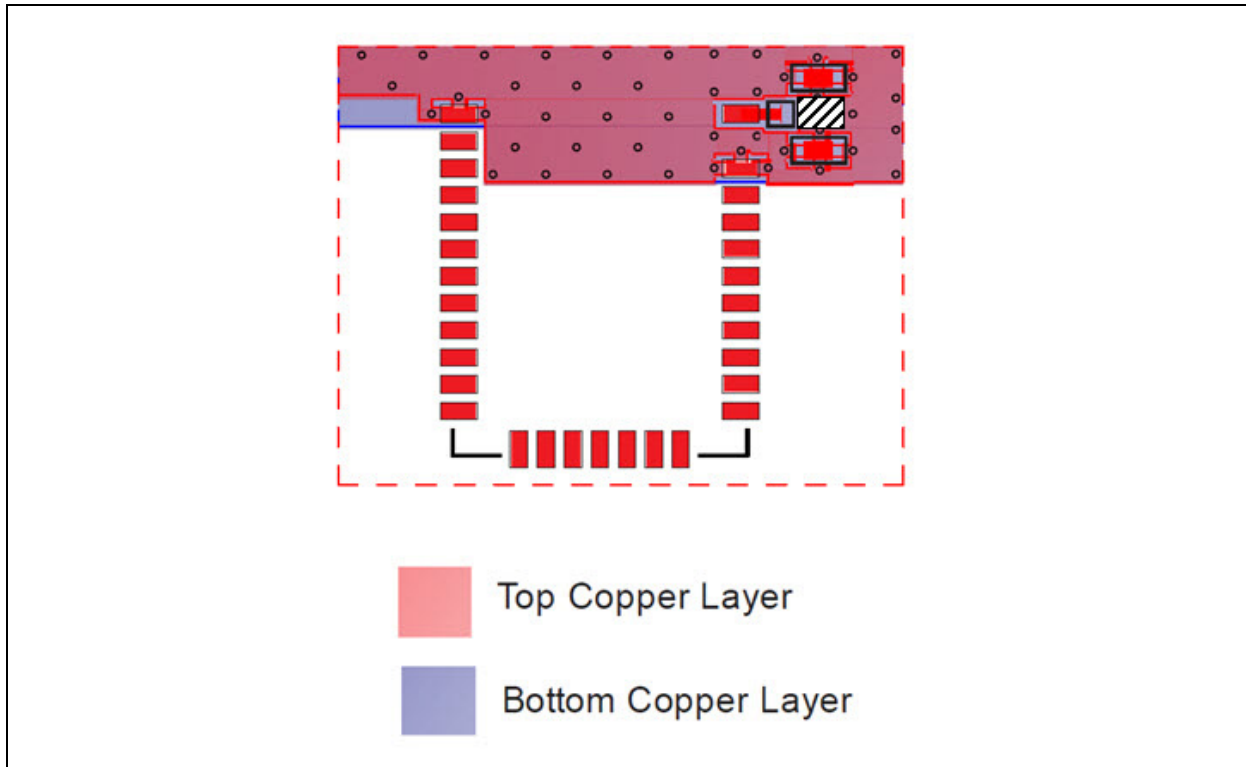


FIGURE 4-6: RN4870U RECOMMENDED PCB MOUNTING



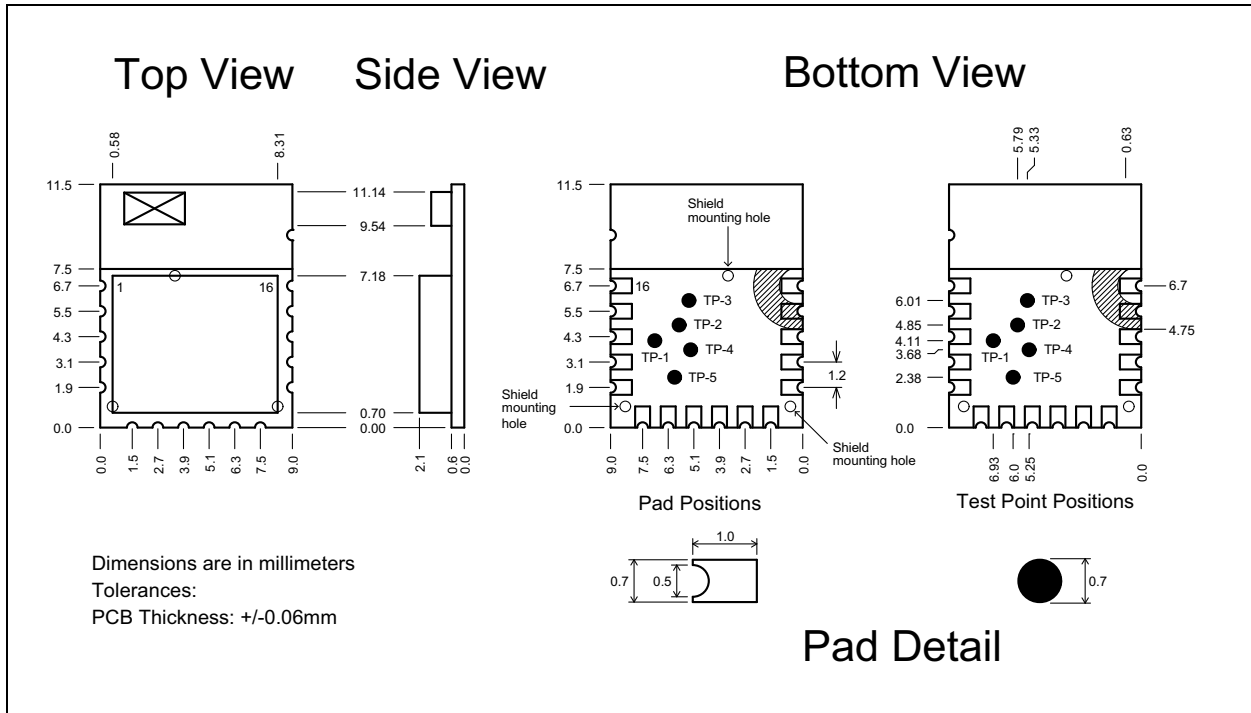
## 4.3 RN4871 Module

Figure 4-7 shows the physical dimensions of the RN4871 module. Figure 4-8 illustrates the recommended PCB layout and Figure 4-9 shows the recommended mounting details.

Ensure that there is *no* top copper layer near the test pin area, indicated by the shaded *keep out areas*, as shown in Figure 4-8. When laying out the host PCB, the areas under the antenna must *not* contain any top,

inner layer or bottom copper, as shown in Figure 4-9. A low-impedance ground plane ensures the best radio performance (best range, lowest noise). Figure 4-9 also shows a space area around the antenna section for best antenna performance. The ground plane can be extended beyond the minimum recommended as required for host PCB EMC noise reduction. For best range performance, keep all external metal at least 30 mm away from the ceramic chip antenna.

**FIGURE 4-7: RN4871 MODULE DIMENSIONS**



# RN4870/71

FIGURE 4-8: RN4871 RECOMMENDED PCB FOOTPRINT

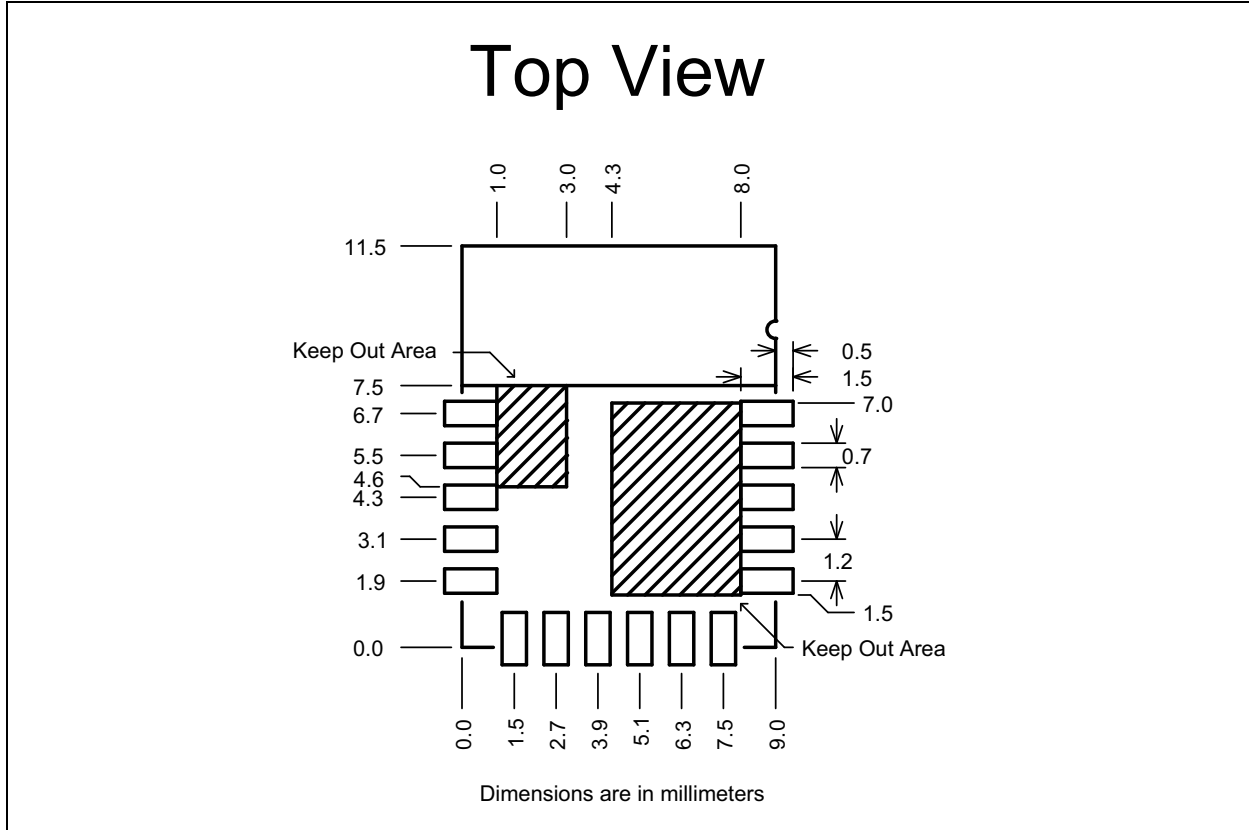
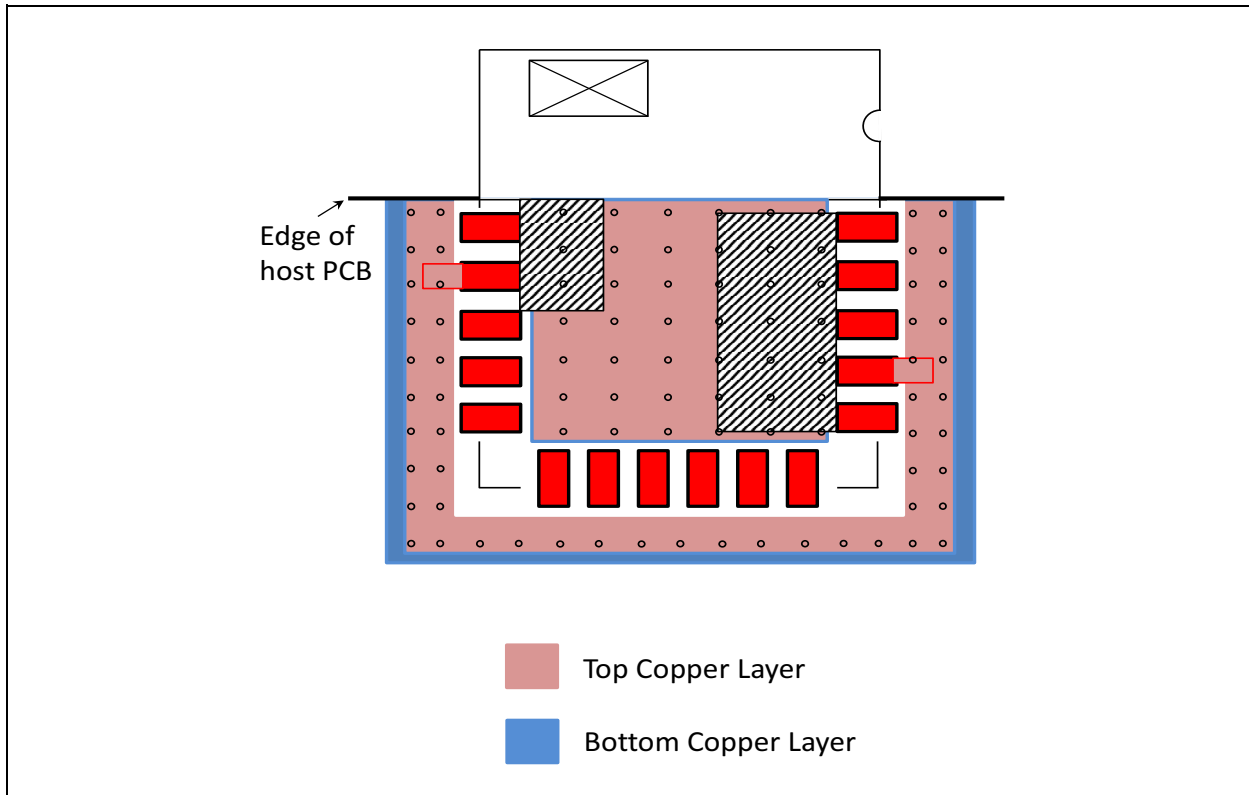


FIGURE 4-9: RN4871 RECOMMENDED PCB MOUNTING SUGGESTION

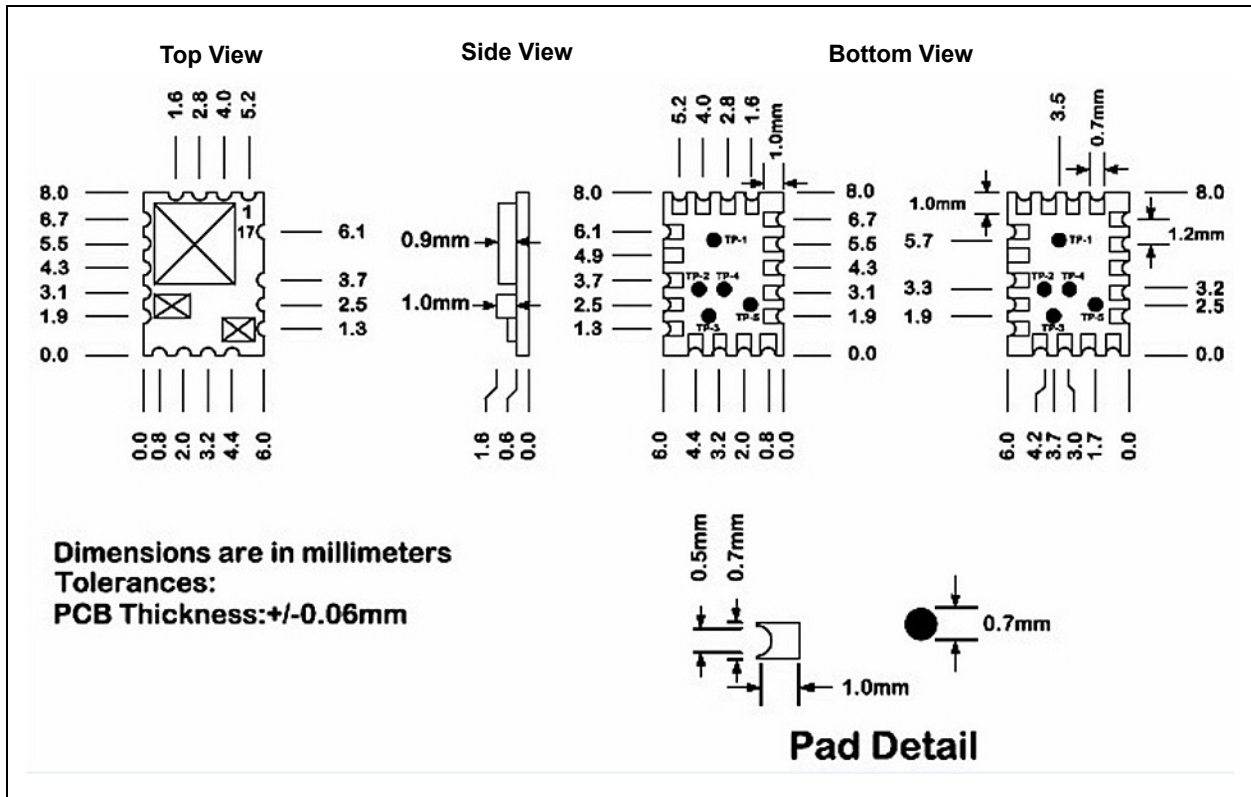


## 4.4 RN4871U Module

Figure 4-10 shows the physical dimensions of the RN4871U module. Figure 4-11 illustrates the recommended PCB layout. It is highly recommended to lay out the host PCB as suggested in Figure 4-12. Figure 4-13 shows the recommended placement for the module on the host PCB board. For optimal transmission and reception sensitivity, place the module at the edge of the board.

A low-impedance ground plane ensures the best radio performance (best range, lowest noise). Pin 1 (BT\_RF) is a 50 Ohm connection that can be connected to an external antenna, such as a PCB trace antenna, a component (chip) antenna or through a host PCB 50 Ohm microstrip trace. This trace can be extended to include passive parts for antenna attenuation padding, impedance matching or to provide test posts. It is recommended that the microstrip trace to be as short as possible for minimum loss and best impedance matching. If the microstrip trace is longer, a 50 Ohm impedance is recommended.

**FIGURE 4-10: RN4871U MODULE DIMENSIONS**



# RN4870/71

FIGURE 4-11: RN4871U RECOMMENDED PCB FOOTPRINT

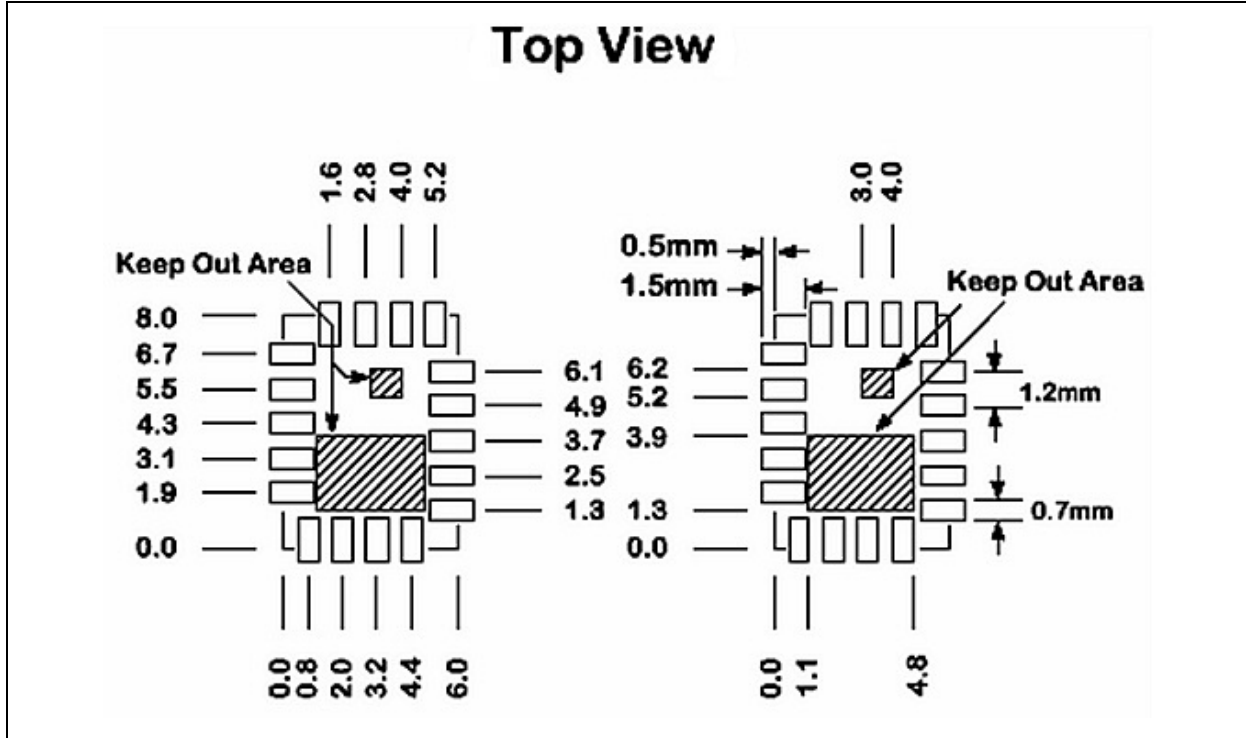
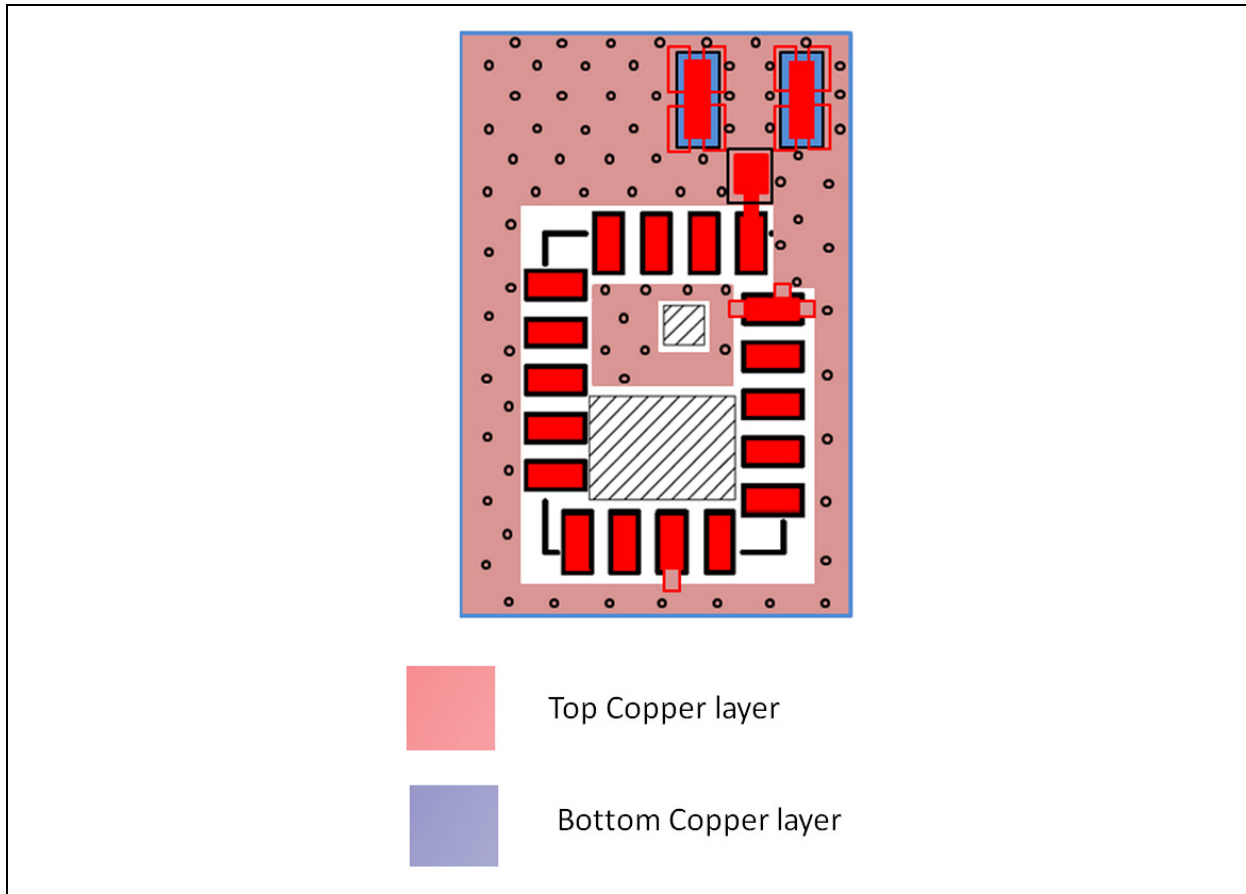
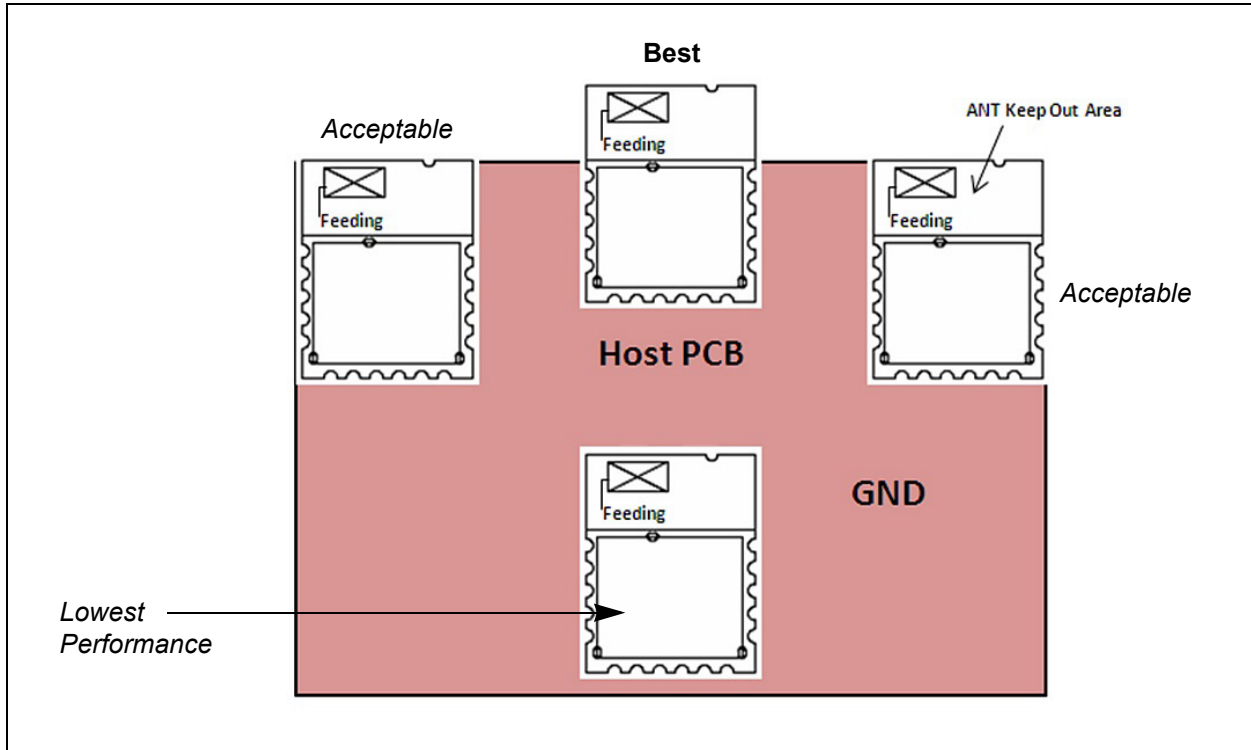


FIGURE 4-12: RN4871U RECOMMENDED PCB MOUNTING



**FIGURE 4-13: RECOMMENDATIONS FOR PLACEMENT OF THE MODULE ON HOST PCB BOARD**



## 4.5 Soldering Recommendations

The RN4870/71 Bluetooth module is assembled using standard lead-free reflow profile, IPC/JEDEC J-STD-020.

The module can be soldered to the host PCB using standard leaded and lead-free solder reflow profiles.

To avoid damaging the module, the following recommendations are given:

- Microchip Technology Application Note, AN233 “Solder Reflow Recommendation” (DS00233) provides solder reflow recommendations
- Do *not* exceed Peak Temperature ( $T_P$ ) of 250°C
- Refer to the solder paste data sheet for specific reflow profile recommendations
- Use no-clean flux solder paste
- Do *not* wash as moisture can be trapped under the shield
- Use only one flow; if the PCB requires multiple flows, apply the module on the final flow

# RN4870/71

---

NOTES:



## 5.0 APPLICATION REFERENCE CIRCUITS

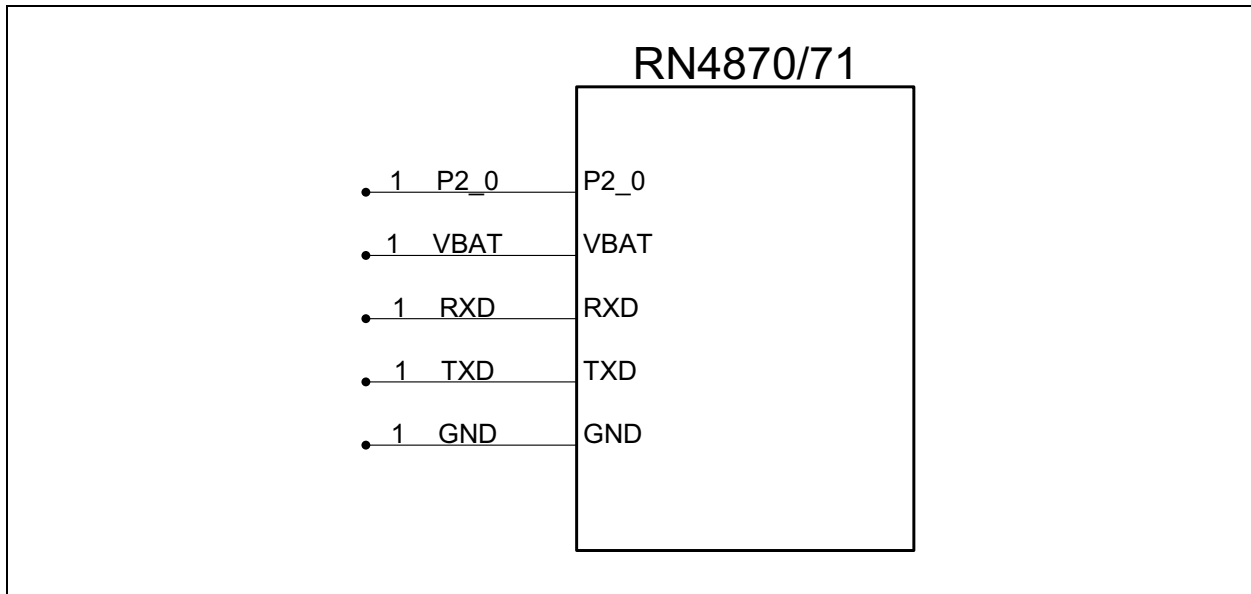
### 5.1 External Configuration and Programming

The RN4870/71 module can be configured and firmware programmed using an external configuration and programming tool. [Figure 5-1](#) shows the mandatory connections required between the module and the external programming header. It is recommended to include these pin connections on the host PCB for development. For accessing the various configuration and indication pins, use [Table 1-2](#), [Table 1-3](#), [Table 1-4](#) and [Table 1-5](#).

### 5.2 Reference Circuit

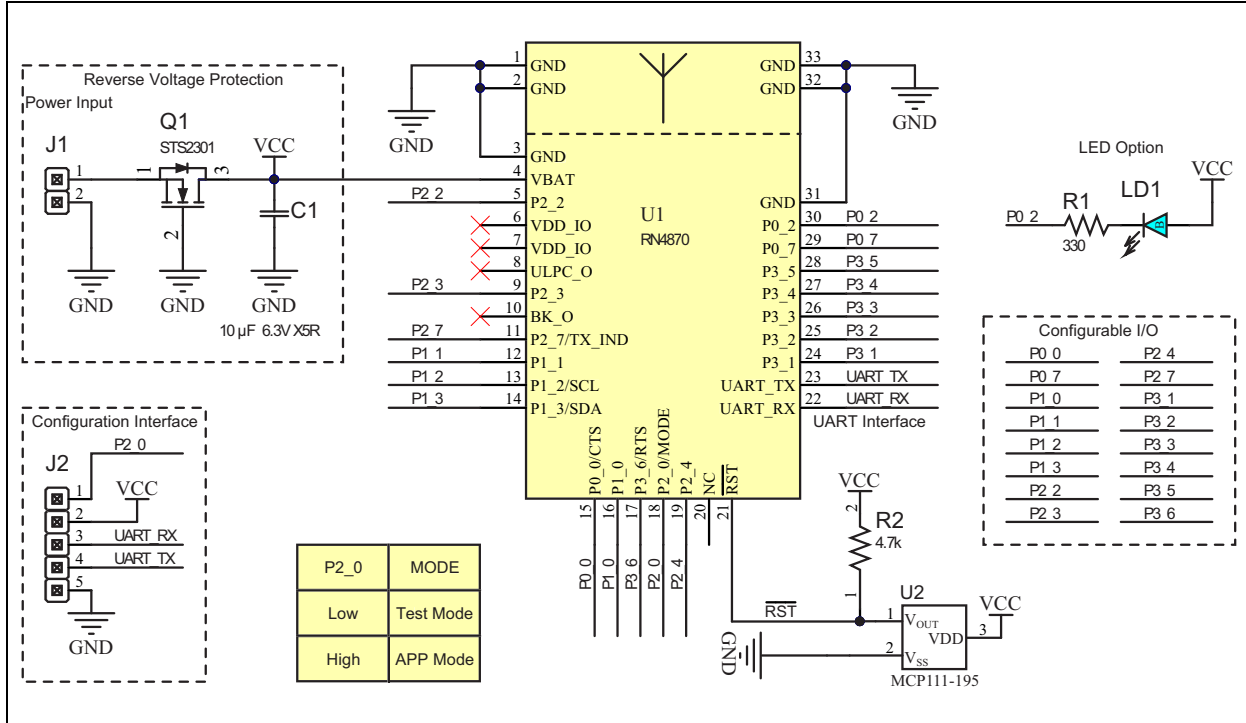
[Figure 5-2](#) through [Figure 5-5](#) show the reference circuits for various modules under the RN4870/71 family. In the circuits, the power input range is 1.9V ~ 3.6V. A battery reverse protection circuit is recommended when a battery power input is used. Note that the VDD\_IO is the same as the power input. In case of an LED connection, the power input must be greater than 3.0V. For the RN4870U, an RF antenna matching circuit must also be included, as shown in [Figure 5-3](#).

**FIGURE 5-1: EXTERNAL PROGRAMMING HEADER CONFIGURATIONS**

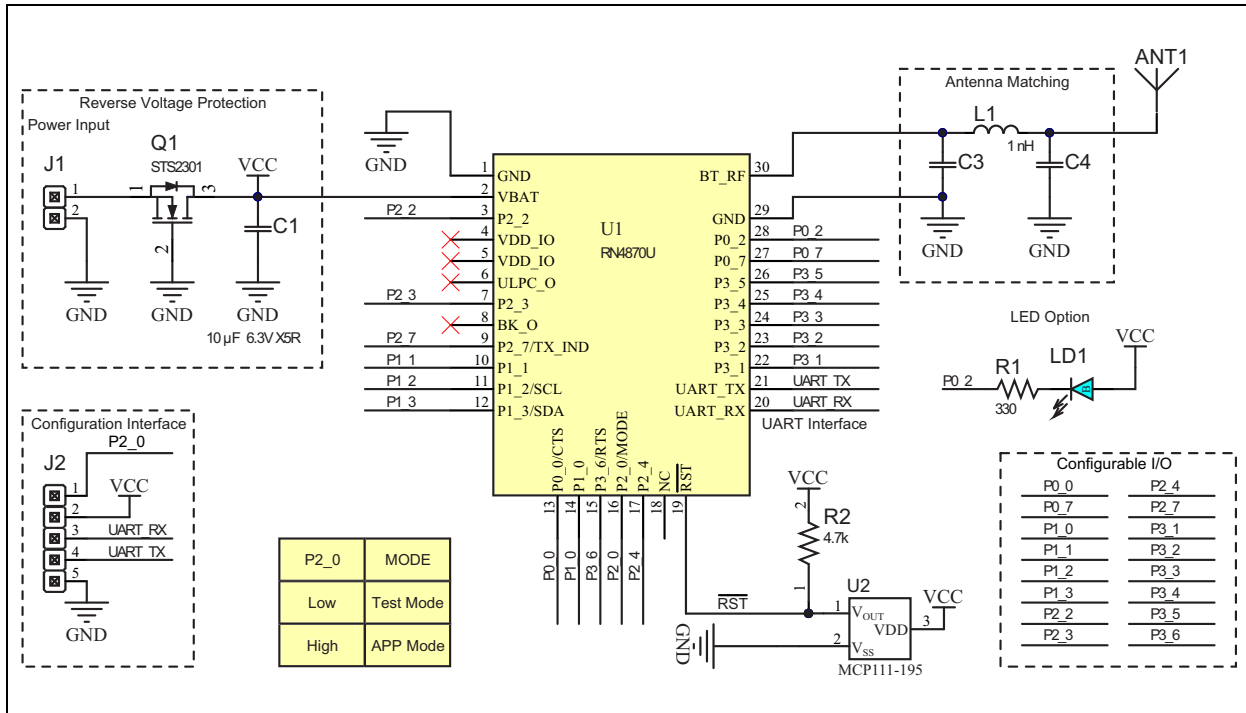


# RN4870/71

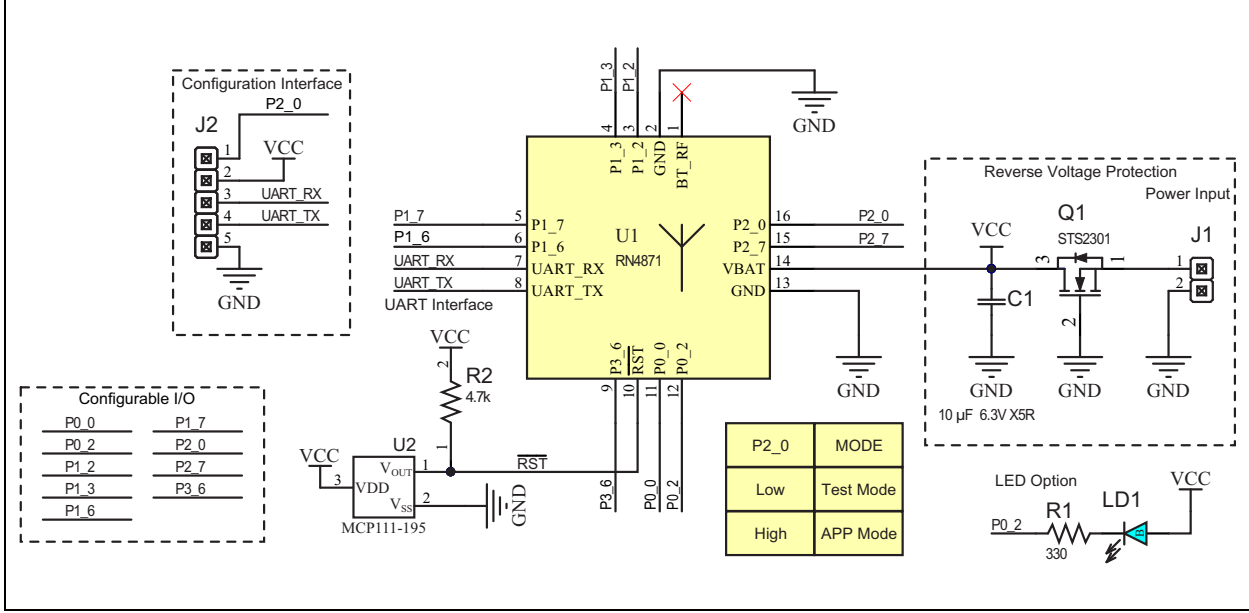
**FIGURE 5-2: RN4870 REFERENCE CIRCUIT**



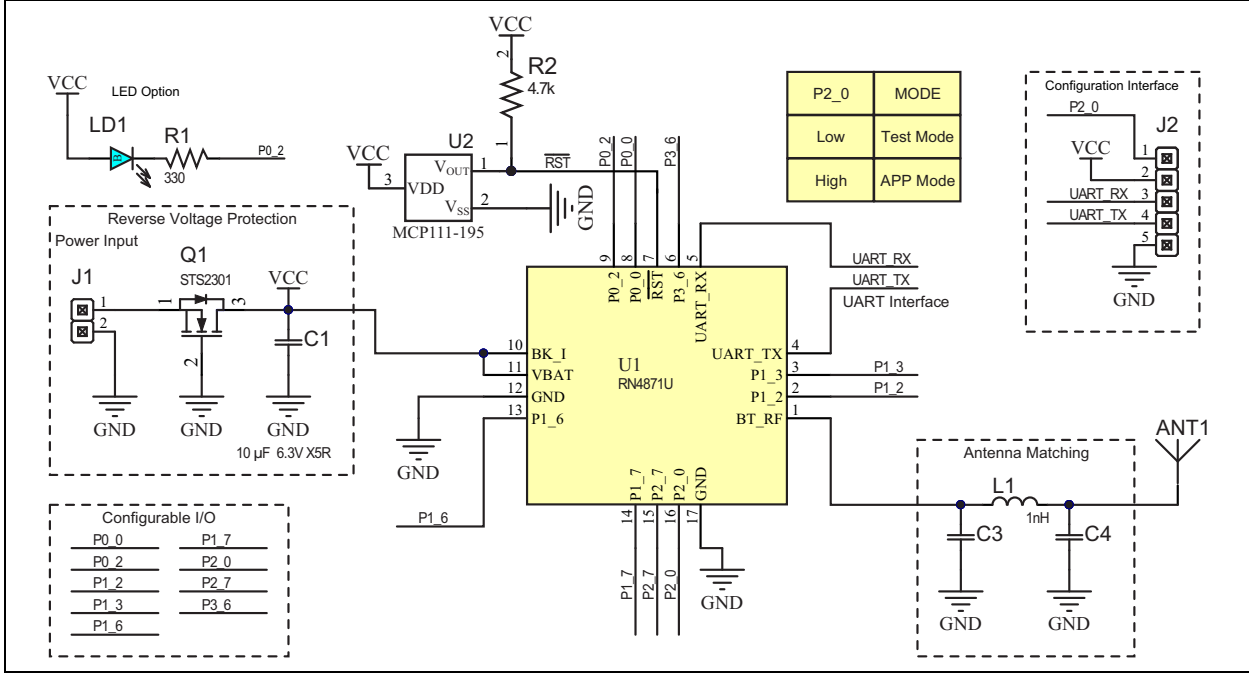
**FIGURE 5-3: RN4870U REFERENCE CIRCUIT**



**FIGURE 5-4: RN4871 REFERENCE CIRCUIT**



**FIGURE 5-5: RN4871U REFERENCE CIRCUIT**



# RN4870/71

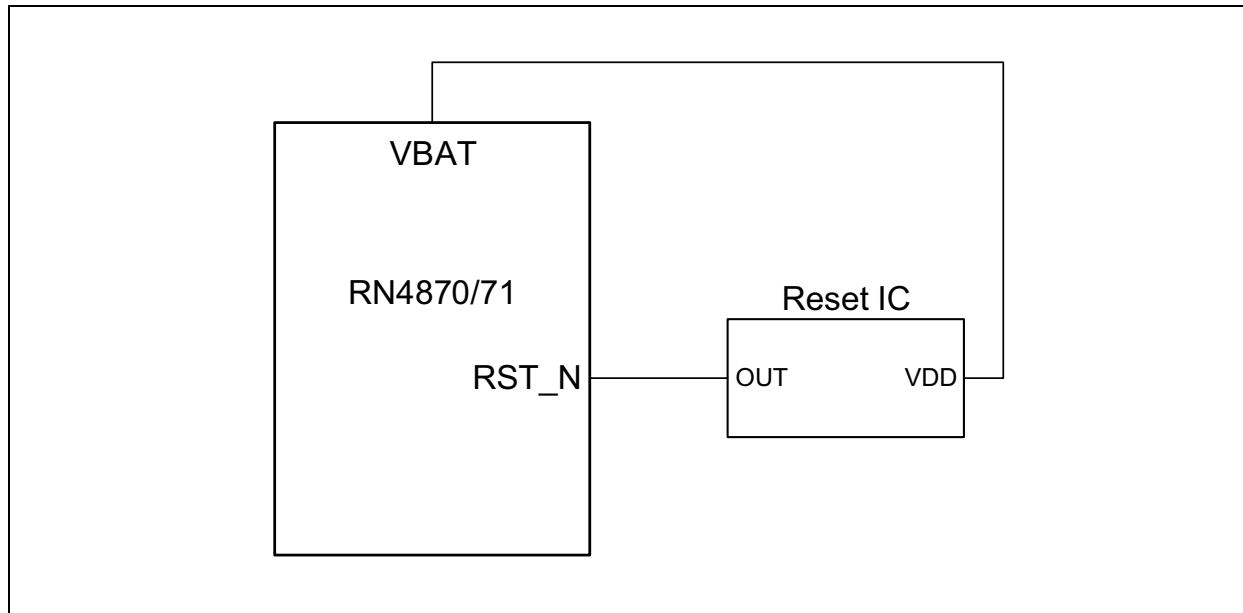
---

## 5.3 Power Drop Protection

To prevent any problems that may arise when the power supply goes below 1.9V, a power supply drop protection circuit is recommended. Essentially, this circuit consists

of a Reset IC, which acts as an *Open-Drain* with a Delay  $\leq 10$  ms, and is triggered at a 1.8V power supply. [Figure 5-6](#) shows a recommended power drop protection circuit.

**FIGURE 5-6: POWER DROP PROTECTION CIRCUIT**



## 6.0 ASCII COMMAND API

The RN4870/71 command Application Programming Interfaces (APIs) are documented in the “RN4870/71 Bluetooth® Low Energy Module User’s Guide” (DS50002466).

The following are the available command options and their categories:

- Connection
  - Establish connection
  - Disconnect
  - Bond/unbond current connection
  - Start/stop scan for other devices
  - Add/delete peer devices to white list
  - Read RSSI values
  - Stop connection process
- I/O
  - Read/write I<sup>2</sup>C
  - Change settings in the EEPROM
  - Configure pin functions
  - Configure GPIO mask
  - Set/get GPIO states
  - Read and write analog data
  - PWM control (only for RN4870)
- System
  - Reboot
  - Factory default
  - Enter and Exit Command mode
  - Enter Low-Power mode
- Scripting
  - Enter Script mode
  - Declare event handler
  - Execute current script
  - List current script
  - Clear script
  - Define user function
- GATT Services
  - Create/delete public services/characteristics
  - Read/write characteristic values
  - Set notification for characteristics
- GAP Role
  - Central, Peripheral, Observer and Broadcaster
- Advertising
  - Start/stop
  - Set custom advertisement content
  - Set scan response content
  - Set beacon content
- Private Service
  - Create/delete private services/characteristics
  - Read/write characteristic values
  - Set notification for characteristics
- Transparent UART
  - Enable/disable
  - Peripheral side configuration
  - Central side configuration
- Remote configuration of the module
- Read individual device information or profile settings

# RN4870/71

---

NOTES:

## 7.0 SUPPORTED SERVICES

The RN4870 supports two built-in GATT services:

- Device information public service
- UART transparent private service, which handles data streaming function

In addition to the above predefined private services, the RN4870 provides the ability to create private services. If the services are supported on both end points of a Bluetooth Low Energy connection, such as Central and Peripheral devices, data can be exchanged. For example, two RN4870 modules can define a custom (private) service with their own unique characteristics. Data can be exchanged easily via Command API.

Private services are *not* registered with the Bluetooth SIG, and therefore, *not* inter-operable with other Bluetooth Low Energy devices unless the device implements the private service. An example of a built-in private service is the Transparent UART. For an example on how to create a custom service using the RN4870, refer to “*RN4870/71 Bluetooth® Low Energy Module User’s Guide*” (DS50002466).

RN4870 allows custom-defined services for up to five public and four private services. Each custom-defined service allows up to eight custom-defined characteristics. All service definitions are saved in on-board Nonvolatile Memory (NVM), where the user must set up the module only once.

# RN4870/71

---

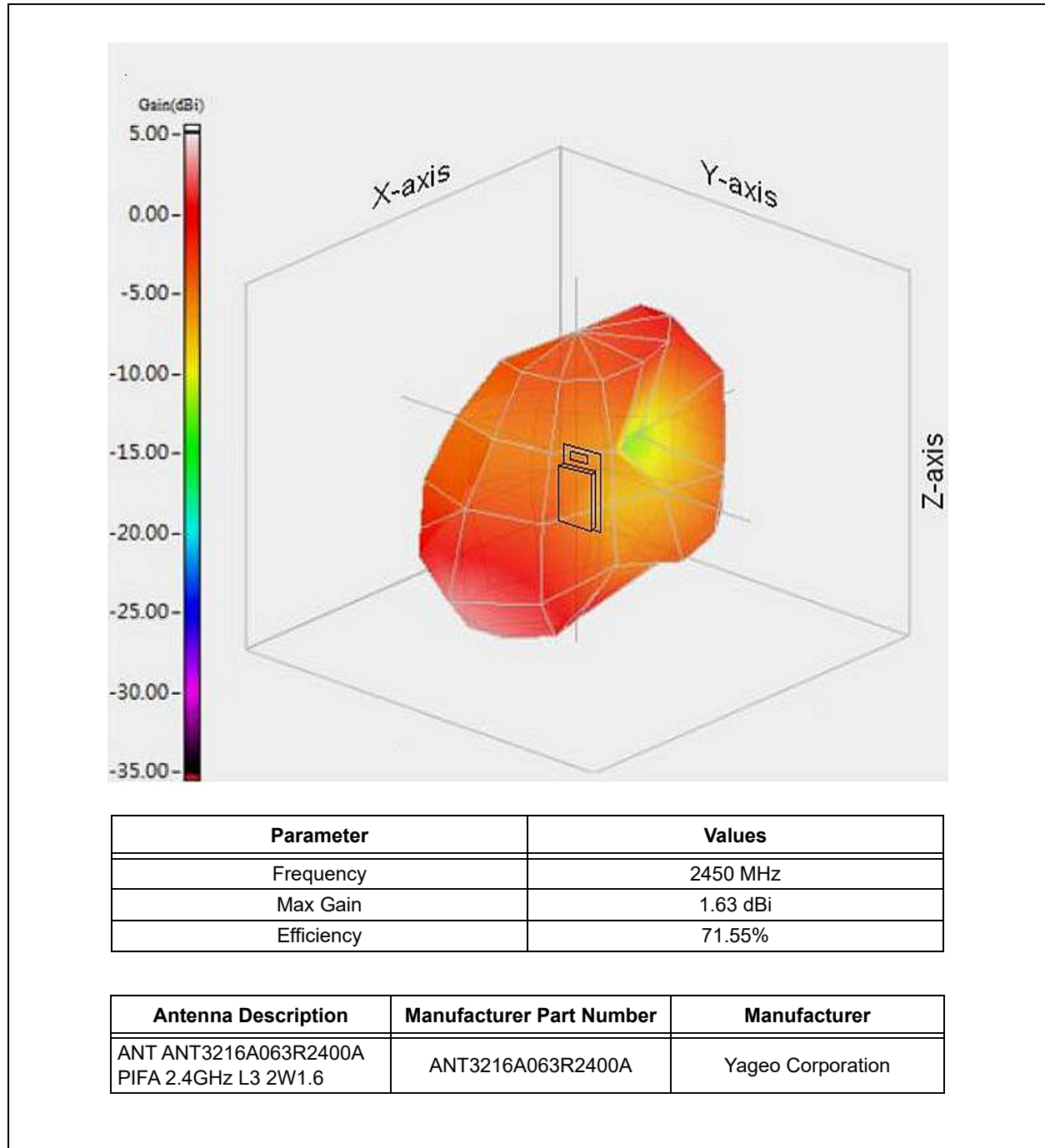
NOTES:



## 8.0 ANTENNA CHARACTERISTICS

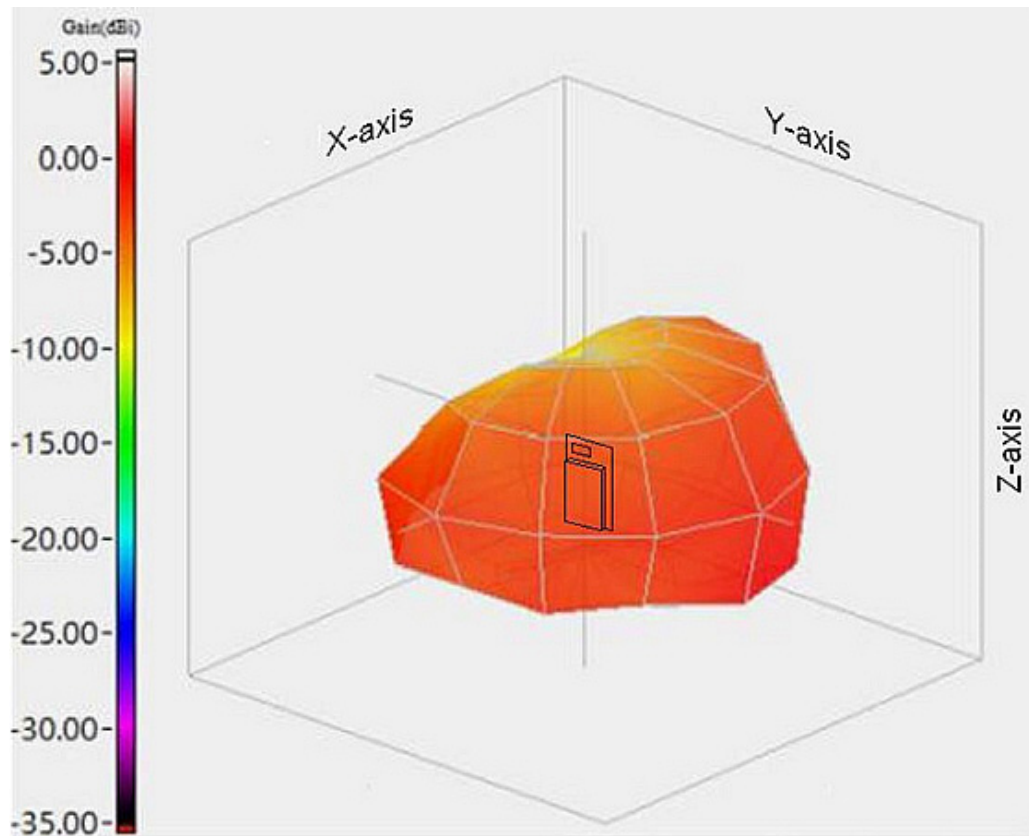
The RN4870 and RN4871 modules contain an integral ceramic chip antenna. [Figure 8-1](#) and [Figure 8-2](#) show the antenna performance on the modules.

**FIGURE 8-1: RN4870 ANTENNA PERFORMANCE**



# RN4870/71

FIGURE 8-2: RN4871 ANTENNA PERFORMANCE



Parameter	Values
Frequency	2442 MHz
Max Gain	0.1 dBi
Efficiency	42.7%

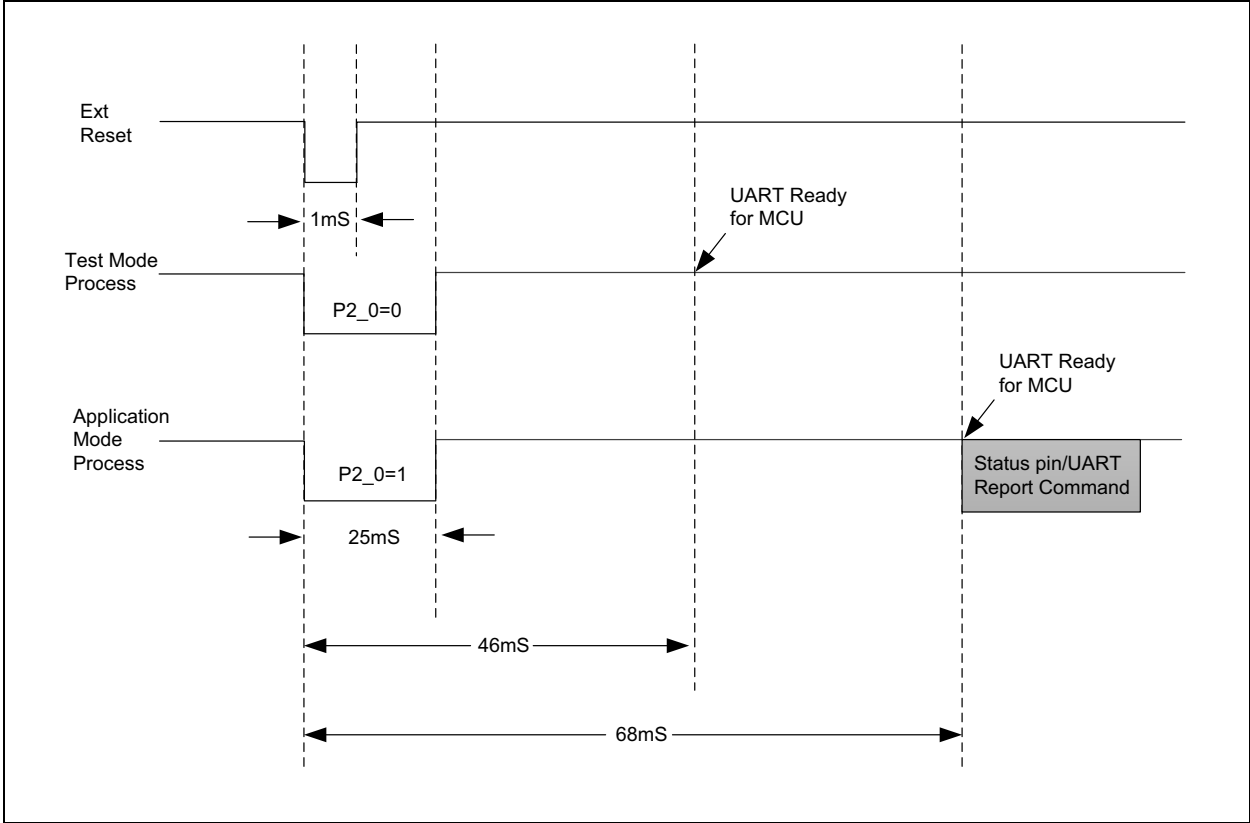
Antenna Description	Manufacturer Part Number	Manufacturer
ANT AANT3216LL00R2400A PIFA 2.4GHz L3 2W1.6	ANT3216LL00R2400A	Yageo Corporation

## 9.0 TIMING CHARACTERISTICS

Figure 9-1 shows the timing diagram for the RN4870/71 module when it is reset in the Test mode and Application mode. Figure 9-2 shows the timing diagram for the module when it is powered on. In Application mode,

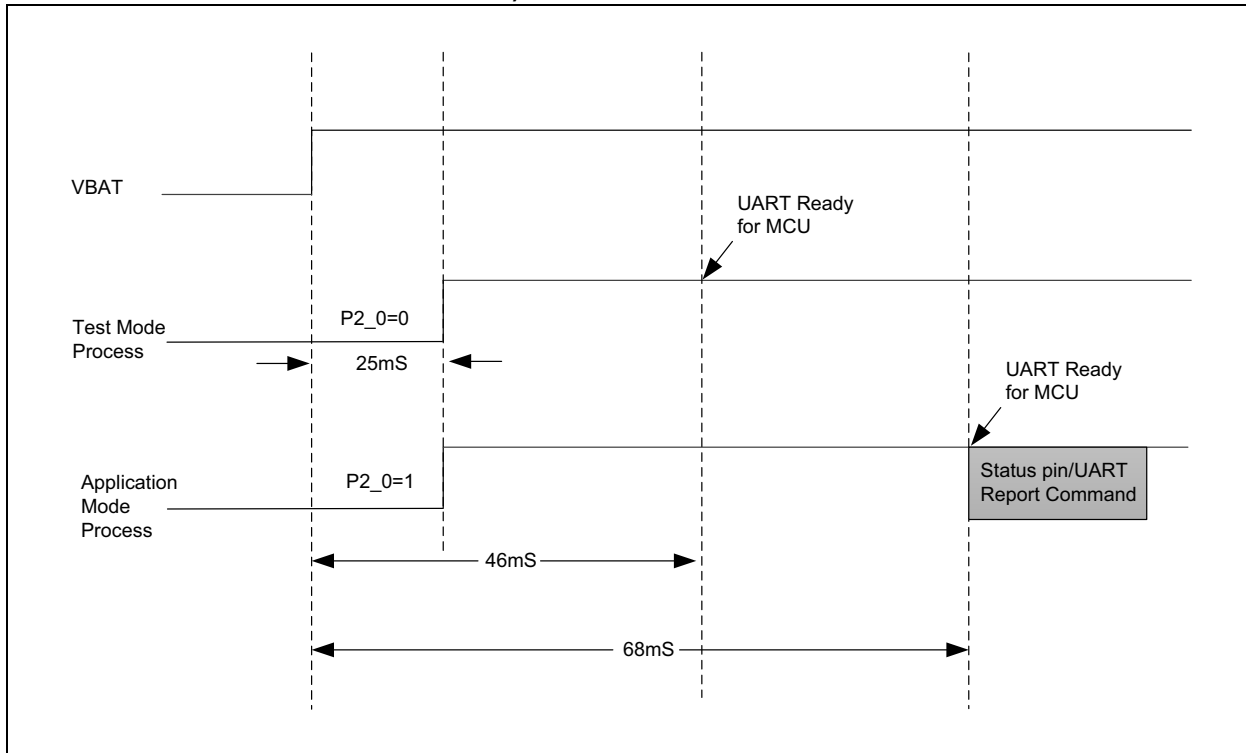
when RN4870/71 is ready to talk to the MCU after Reset, the module provides a UART response indicating that the Reset is complete. For more details, refer to the “RN4870/71 Bluetooth® Low Energy Module User’s Guide” (DS50002466).

**FIGURE 9-1: TIMING DIAGRAM OF RN4870/71 UART READY AFTER RESET (IN TEST AND APPLICATION MODE)**



# RN4870/71

**FIGURE 9-2: TIMING DIAGRAM OF RN4870/71 UART WHEN POWERED ON (IN TEST AND APPLICATION MODE)**



The table below shows the error rate for various UART baud rates for the RN4870/71 module. The system clock is running at 16 MHz.

**TABLE 9-1: ERROR RATE FOR VARIOUS BAUD RATES ON THE RN4870/71**

Set Baud Rate	Measured Baud Rate	Error
921600	941176	-2.12%
460800	457143	0.79%
307200	307692	-0.16%
230400	231884	-0.64%
115200	115942	-0.64%
57600	57971	-0.64%
38400	38095	0.79%
19200	19048	0.79%
9600	9524	0.79%

## 10.0 ORDERING INFORMATION

The table below provides ordering information for the RN4870/71 module.

**TABLE 10-1: ORDERING INFORMATION**

Part Number <sup>(1)</sup>	Antenna	Shielding	Number of Pins	Operating Temperature Range
RN4870-V/RMXXX	On-Board	Yes	33	-20°C to +70°C
RN4870U-V/RMXXX	External	No	30	-20°C to +70°C
RN4871-V/RMXXX	On-Board	Yes	16	-20°C to +70°C
RN4871U-V/RMXXX	External	No	17	-20°C to +70°C
RN4870-I/RMXXX	On-Board	Yes	33	-40°C to +85°C
RN4871-I/RMXXX	On-Board	Yes	16	-40°C to +85°C

**Note 1:** The last three digits in the P/N indicate the firmware version. At the time of publication, the latest firmware version is 1.30. Ensure to check product webpage for the latest part number and firmware version.

**Note:** Go to <http://www.microchip.com> for current pricing and a list of distributors carrying Microchip products.

# RN4870/71

---

NOTES:

## 11.0 REGULATORY APPROVAL

The RN4870 module has received the regulatory approval for the following countries:

- BT SIG/QDID: 110115
- United States/FCC ID: A8TBM70ABCDEF GH
- Canada/ISED
  - IC: 12246A-BM70BLES1F2
  - HVIN: BM70BLES1F2
- Europe/CE
- Japan/MIC: 202-SMD069
- Korea/KCC: MSIP-CRM-mcp-BM70BLES1FC2
- Taiwan/NCC No: CCAN15LP0501T3
- China/SRRC: CMIIT ID: 2016DJ5729

The RN4871 module has received the regulatory approval for the following countries:

- BT SIG/QDID: 110115
- United States/FCC ID: A8TBM71S2
- Canada/ISED
  - IC: 12246A-BM71S2
  - HVIN: BM71BLES1FC2
- Europe/CE
- Japan/MIC: 005-101150
- Korea/KCC: MSIP-CRM-mcp-BM71BLES1FC2
- Taiwan/NCC No: CCAN16LP0011T7
- China/SRRC: CMIIT ID: 2016DJ5890
- Brazil/ANATEL: 02699-19-08759

### 11.1 United States

The RN4870/71 module has received Federal Communications Commission (FCC) CFR47 Telecommunications, Part 15 Subpart C “Intentional Radiators” single modular approval in accordance with Part 15.212 Modular Transmitter approval. Single modular transmitter approval is defined as a complete RF transmission sub-assembly, designed to be incorporated into another device, that must demonstrate compliance with FCC rules and policies independent of any host. A transmitter with a modular grant can be installed in different end-use products (referred to as a host, host product or host device) by the grantee or other equipment manufacturer, then the host product may not require additional testing, or equipment authorization for the transmitter function provided by that specific module or limited module device.

A host product itself is required to comply with all other applicable FCC equipment authorization regulations, requirements and equipment functions that are not associated with the transmitter module portion. For example, compliance must be demonstrated: to regulations for other transmitter components within a host product; to requirements for unintentional radiators (Part 15 Subpart B), such as digital devices, computer peripherals, radio receivers, etc.; and to additional authorization requirements for the non-transmitter functions on the transmitter module (i.e., Verification or

Declaration of Conformity) as appropriate (e.g., Bluetooth and Wi-Fi® transmitter modules may also contain digital logic functions).

#### 11.1.1 LABELING AND USER INFORMATION REQUIREMENTS

The RN4870 module has been labeled with its own FCC ID number, and if the FCC ID is not visible when the module is installed inside another device, then the outside of the finished product into which the module is installed must also display a label referring to the enclosed module. This exterior label can use wording as follows:

For the RN4870 module:

Contains Transmitter Module  
FCC ID: A8TBM70ABCDEF GH  
*or*  
Contains FCC ID: A8TBM70ABCDEF GH

This device complies with Part 15 of the FCC Rules. Operation is subject to the following two conditions: (1) this device may not cause harmful interference, and (2) this device must accept any interference received, including interference that may cause undesired operation.

Due to the limited size of the RN4871, the FCC Identifier (FCC ID) is not displayed on the module. Therefore, the FCC ID must be placed on the outside of the finished product into which the module is installed and must also display a label referring to the enclosed module. This exterior label can use wording as follows:

For the RN4871 module:

Contains Transmitter Module  
FCC ID: A8TBM71S2  
*or*  
Contains FCC ID: A8TBM71S2

This device complies with Part 15 of the FCC Rules. Operation is subject to the following two conditions: (1) this device may not cause harmful interference, and (2) this device must accept any interference received, including interference that may cause undesired operation.

# RN4870/71

A user's manual for the product should include the following statement:

This equipment has been tested and found to comply with the limits for a Class B digital device, pursuant to Part 15 of the FCC Rules. These limits are designed to provide reasonable protection against harmful interference in a residential installation. This equipment generates, uses and can radiate radio frequency energy, and if not installed and used in accordance with the instructions, may cause harmful interference to radio communications. However, there is no guarantee that interference will not occur in a particular installation. If this equipment does cause harmful interference to radio or television reception, which can be determined by turning the equipment off and on, the user is encouraged to try to correct the interference by one or more of the following measures:

- Reorient or relocate the receiving antenna.
- Increase the separation between the equipment and receiver.
- Connect the equipment into an outlet on a circuit different from that to which the receiver is connected.
- Consult the dealer or an experienced radio/TV technician for help.

Additional information on labeling and user information requirements for Part 15 devices can be found in KDB Publication 784748, available at the FCC Office of Engineering and Technology (OET) Laboratory Division Knowledge Database (KDB): <http://apps.fcc.gov/oetcf/kdb/index.cfm>.

## 11.1.2 RF EXPOSURE

All transmitters regulated by FCC must comply with RF exposure requirements. KDB Publication 447498 General RF Exposure Guidance provides guidance in determining whether proposed or existing transmitting facilities, operations or devices comply with limits for human exposure to Radio Frequency (RF) fields adopted by the Federal Communications Commission (FCC).

Output power listed is conducted. This grant is valid only when the module is sold to OEM integrators and must be installed by the OEM or OEM integrators. This transmitter is restricted for use with the specific antenna(s) tested in this application for Certification and must not be co-located or operating in conjunction with any other antenna or transmitters within a host device, except in accordance with FCC multitransmitter product procedures. This module is approved for installation into mobile or/and portable host platforms.

## 11.1.3 APPROVED ANTENNAS

To maintain modular approval in the United States, only the antenna types that have been tested shall be used. It is permissible to use different antenna, provided it is the same antenna type, antenna gain (equal to or less than) with similar in-band and out-of band characteristics (refer to specification sheet for cutoff frequencies).

For RN4870, the approval is received using the antenna listed in [Figure 8-1](#).

For RN4871, the approval is received using the antenna listed in [Figure 8-2](#).

## 11.1.4 HELPFUL WEBSITES

Federal Communications Commission (FCC): <http://www.fcc.gov>

FCC Office of Engineering and Technology (OET) Laboratory Division Knowledge Database (KDB): <http://apps.fcc.gov/oetcf/kdb/index.cfm>

## 11.2 Canada

The RN4870/71 module has been certified for use in Canada under Innovation, Science and Economic Development Canada (ISED, formerly Industry Canada) Radio Standards Procedure (RSP) RSP-100, Radio Standards Specification (RSS) RSS-247 and RSS-Gen. Modular approval permits the installation of a module in a host device without the need to recertify the device.

### 11.2.1 LABELING AND USER INFORMATION REQUIREMENTS

Labeling requirements for the host product (from RSP-100, Issue 12, Section 5): The host product shall be properly labeled to identify the module within the host device.

On the RN4871, due to the limited module size, the IC identifier is displayed in the data sheet only and it cannot be displayed on the module label.

The Innovation, Science and Economic Development Canada certification label of a module shall be clearly visible at all times when installed in the host device; otherwise, the host device must be labeled to display the Innovation, Science and Economic Development Canada certification number of the module, preceded by the word, "Contains", or similar wording expressing the same meaning, as follows:

For the RN4870 module:

Contains IC: 12246A-BM70BLES1F2

For the RN4871 module:

Contains IC: 12246A-BM71S2



User Manual Notice for License-Exempt Radio Apparatus (from Section 8.4, RSS-Gen, Issue 5, March 2019): User manuals for license-exempt radio apparatus shall contain the following or equivalent notice in a conspicuous location in the user manual or alternatively, on the device or both:

**This device contains license-exempt transmitter(s)/receiver(s) that comply with Innovation, Science and Economic Development Canada's license-exempt RSS(s). Operation is subject to the following two conditions:**

1. This device may not cause interference.
2. This device must accept any interference, including interference that may cause undesired operation of the device.

**L'émetteur/récepteur exempt de licence contenu dans le présent appareil est conforme aux CNR d'Innovation, Sciences et Développement économique Canada applicables aux appareils radio exempts de licence. L'exploitation est autorisée aux deux conditions suivantes:**

1. L'appareil ne doit pas produire de brouillage.
2. L'appareil doit accepter tout brouillage radioélectrique subi, même si le brouillage est susceptible d'en compromettre le fonctionnement.

Transmitter Antenna (from Section 6.8 RSS-GEN, Issue 5, March 2019): User manuals for transmitters shall display the following notice in a conspicuous location:

**This radio transmitter [IC: 12246A-BM70BLES1F2 and IC: 12246A-BM71S2] has been approved by Innovation, Science and Economic Development Canada to operate with the antenna types listed below, with the maximum permissible gain indicated. Antenna types not included in this list that have a gain greater than the maximum gain indicated for any type listed are strictly prohibited for use with this device.**

**Le présent émetteur radio**

**[IC: 12246A-BM70BLES1F2 and IC: 12246A-BM71S2] a été approuvé par Innovation, Sciences et Développement économique Canada pour fonctionner avec les types d'antenne énumérés cidessous et ayant un gain admissible maximal. Les types d'antenne non inclus dans cette liste, et dont le gain est supérieur au gain maximal indiqué pour tout type figurant sur la liste, sont strictement interdits pour l'exploitation de l'émetteur.**

Immediately following the above notice, the manufacturer shall provide a list of all antenna types approved for use with the transmitter, indicating the maximum permissible antenna gain (in dBi) and required impedance for each.

## 11.2.2 RF EXPOSURE

All transmitters regulated by the Innovation, Science and Economic Development Canada (ISED) must comply with RF exposure requirements listed in RSS-102 - Radio Frequency (RF) Exposure Compliance of Radio Communication Apparatus (all frequency bands).

This transmitter is restricted for use with a specific antenna tested in this application for certification, and must not be co-located or operating in conjunction with any other antenna or transmitters within a host device, except in accordance with Innovation, Science and Economic Development Canada multitransmitter guidelines.

The installation of the transmitter must ensure compliance is demonstrated according to the ISED SAR procedures.

## 11.2.3 APPROVED ANTENNAS

For RN4870, the approval is received using the antenna listed in [Figure 8-1](#).

For RN4871, the approval is received using the antenna listed in [Figure 8-2](#).

## 11.2.4 HELPFUL WEBSITES

Innovation, Science and Economic Development Canada (ISED): <http://www.ic.gc.ca/>.

## 11.3 Europe

The RN4870/4871 module is Radio Equipment Directive (RED) assessed, CE marked, and has been manufactured and tested with the intention of being integrated into a final product.

The RN4870/71 module has been tested to RED 2014/53/EU Essential Requirements mentioned in the following European Compliance table.

**TABLE 11-1: EUROPEAN COMPLIANCE**

Certification	Standards	Article
Safety	EN 62368	3.1(a)
Health	EN 62311	
Electromagnetic Compatibility (EMC)	EN 301 489-1	3.1(b)
	EN 301 489-17	
Radio	EN300 328	3.2

The ETSI provides guidance on modular devices in “*Guide to the application of harmonised standards covering Article 3.1(b) and Article 3.2 of the Directive 2014/53/EU RED to multi-radio and combined radio and non-radio equipment*” document available at: [http://www.etsi.org/deliver/etsi\\_eg/203300\\_203399/203367/01.01.01\\_60/eg\\_203367v010101p.pdf](http://www.etsi.org/deliver/etsi_eg/203300_203399/203367/01.01.01_60/eg_203367v010101p.pdf).

**Note:** To maintain conformance to the standards listed in the preceding European Compliance table, the module shall be installed in accordance with the installation instructions in this data sheet and shall not be modified. When integrating a radio module into a completed product, the integrator becomes the manufacturer of the final product and is therefore responsible for demonstrating compliance of the final product with the essential requirements against the RED.

### 11.3.1 LABELING AND USER INFORMATION REQUIREMENTS

The label on the final product which contains the RN4870/71 module must follow CE marking requirements.

### 11.3.2 CONFORMITY ASSESSMENT

From ETSI Guidance Note EG 203367, Section 6.1, non-radio products are combined with a radio product:

- If the manufacturer of the combined equipment installs the radio product in a host non-radio product in equivalent assessment conditions (i.e., host equivalent to the one used for the assessment of the radio product) and according to the installation instructions for the radio product, then no additional assessment of the combined equipment against Article 3.2 of the RED is required.

### 11.3.3 APPROVED ANTENNAS

For RN4870, the approval is received using the antenna listed in [Figure 8-1](#).

For RN4871, the approval is received using the antenna listed in [Figure 8-2](#).

#### 11.3.3.1 Simplified EU Declaration of Conformity

Hereby, Microchip Technology Inc. declares that the radio equipment type RN4870/71 is in compliance with Directive 2014/53/EU.

The full text of the EU declaration of conformity for this product is available at:  
<https://www.microchip.com/wwwproducts/en/RN4870>  
<https://www.microchip.com/wwwproducts/en/RN4871>  
(available under *Documents > Certifications*).

### 11.3.4 HELPFUL WEBSITES

A document that can be used as a starting point in understanding the use of Short Range Devices (SRD) in Europe is the European Radio Communications Committee (ERC) Recommendation 70-03 E, which can be downloaded from the European Radio Communications Committee (ECC) at: <http://www.ecodocdb.dk/>.

Additional helpful websites are:

- Radio Equipment Directive (2014/53/EU): [https://ec.europa.eu/growth/single-market/european-standards/harmonised-standards/red\\_en](https://ec.europa.eu/growth/single-market/european-standards/harmonised-standards/red_en)
- European Conference of Postal and Telecommunications Administrations (CEPT): <http://www.cept.org>
- European Telecommunications Standards Institute (ETSI): <http://www.etsi.org>
- The Radio Equipment Directive Compliance Association (REDCA): <http://www.redca.eu/>

## 11.4 Japan

The RN4870/71 module has received type certification, and is labeled with its own technical conformity mark and certification number, as required, to conform to the technical standards regulated by the Ministry of Internal Affairs and Communications (MIC) of Japan pursuant to the Radio Act of Japan.

Integration of this module into a final product does not require additional radio certification, provided installation instructions are followed and no modifications of the module are allowed. Additional testing may be required:

- If the host product is subject to electrical appliance safety (for example, powered from an AC mains), the host product may require Product Safety Electrical Appliance and Material (PSE) testing. The integrator should contact their conformance laboratory to determine if this testing is required.
- There is a voluntary Electromagnetic Compatibility (EMC) test for the host product administered by VCCI: [http://www.vcci.jp/vcci\\_e/index.html](http://www.vcci.jp/vcci_e/index.html).

### 11.4.1 LABELING AND USER INFORMATION REQUIREMENTS

The label on the final product which contains the RN4870/71 module must follow Japan marking requirements. The integrator of the module should refer to the labeling requirements for Japan available at the Ministry of Internal Affairs and Communications (MIC) website.

The RN4870 module is labeled with its own technical conformity mark and certification number. The final product in which this module is being used must have a label referring to the type of certified module inside:

Contains transmitter module with certificate number:



Due to the limited size of the RN4871, the technical conformity mark and certification number are not displayed on the module. Therefore, the final product in which this module is being used must have a label referring to the type of certified module inside:

Contains transmitter module with certificate number:



## 11.4.2 HELPFUL WEBSITES

Ministry of Internal Affairs and Communications (MIC):  
<http://www.tele.soumu.go.jp/e/index.htm>

Association of Radio Industries and Businesses (ARIB):  
<http://www.arib.or.jp/english/>

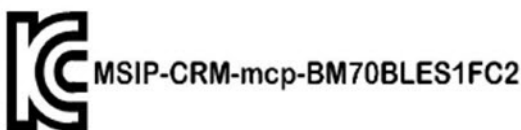
## 11.5 Korea

The RN4870/71 module has received certification of conformity in accordance with the Radio Waves Act. Integration of this module into a final product does not require additional radio certification, provided installation instructions are followed and no modifications of the module are allowed.

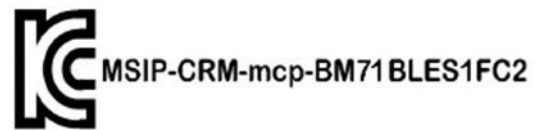
### 11.5.1 LABELING AND USER INFORMATION REQUIREMENTS

The label on the final product, which contains the RN4870/71 module, must follow KC marking requirements. The integrator of the module should refer to the labeling requirements for Korea available on the Korea Communications Commission (KCC) website.

The RN4870 module is labeled with its own KC mark. The final product requires the KC mark and certificate number of the module:



Due to the limited size of the RN4871, the KC mark is not displayed on the module. Therefore, the final product requires the KC mark and certificate number of the module:



## 11.5.2 HELPFUL WEBSITES

Korea Communications Commission (KCC):  
<http://www.kcc.go.kr>

National Radio Research Agency (RRA):  
<http://rra.go.kr>

## 11.6 Taiwan

The RN4870/71 module has received compliance approval in accordance with the Telecommunications Act. Customers seeking to use the compliance approval in their product should contact Microchip Technology sales or distribution partners to obtain a Letter of Authority.

Integration of this module into a final product does not require additional radio certification, provided installation instructions are followed and no modifications of the module are allowed.

### 11.6.1 LABELING AND USER INFORMATION REQUIREMENTS

The RN4870 module is labeled with its own NCC ID number, and if the NCC ID is not visible when the module is installed inside another device, then the outside of the device must also display a label referring to the enclosed module. This exterior label can use wording such as the following:



Due to the limited size of the RN4871, the NCC ID is not displayed on the module. Therefore, the outside of the device must also display a label referring to the enclosed module. This exterior label can use wording such as the following:



# RN4870/71

The user's manual should contain the below warning (for RF device) in traditional Chinese:

注意！

依據 低功率電波輻射性電機管理辦法

第十二條 經型式認證合格之低功率射頻電機，非經許可，

公司、商號或使用者均不得擅自變更頻率、加大功率或變更原設計之特性及功能。

第十四條 低功率射頻電機之使用不得影響飛航安全及干擾合法通信；

經發現有干擾現象時，應立即停用，並改善至無干擾時方得繼續使用。

前項合法通信，指依電信規定作業之無線電信。

低功率射頻電機須忍受合法通信或工業、科學及醫療用電波輻射性

電機設備之干擾。

## 11.6.2 HELPFUL WEBSITES

National Communications Commission (NCC):

<http://www.ncc.gov.tw>

## 11.7 China

The RN4870/71 module has received certification of conformity in accordance with the China MIIT Notice 2014-01 of State Radio Regulation Committee (SRRC) certification scheme. Integration of this module into a final product does not require additional radio certification, provided installation instructions are followed and no modifications of the module are allowed.

Refer to the SRRC certificate available in:

<https://www.microchip.com/wwwproducts/en/RN4870>

or for expiry date:

<https://www.microchip.com/wwwproducts/en/RN4871>

### 11.7.1 LABELING AND USER INFORMATION REQUIREMENTS

The RN4870 module is labeled with its own CMIIT ID as follows:



The RN4871 module is labeled with its own CMIIT ID as follows:



## 11.8 Brazil

The RN4871 stereo audio modules have received compliance approval in accordance with the Telecommunications Act of the Federal Republic of Brazil National Telecommunications Agency (ANATEL). Customers seeking to use the compliance approval in their product must contact Microchip Technology Inc. sales or distribution partners to obtain a Letter of Authority.

The end product (host) manual must include the following statement:



Este producto contém a placa Modelo RN4871 código de homologação ANATEL 02699-19-08759.

## 11.9 UKCA (UK Conformity Assessed)

The RN4870/71 module is a UK conformity assessed radio module that meets all the essential requirements according to CE RED requirements.

### 11.9.1 LABELING REQUIREMENTS FOR MODULE AND USER'S REQUIREMENTS

The label on the final product that contains the RN4870/71 module must follow the UKCA marking requirements.



The UKCA mark above is printed on the module itself or on the packing label.

Additional details for the label requirement are available at:

<https://www.gov.uk/guidance/using-the-ukca-marking#check-whether-you-need-to-use-the-new-ukca-marking>.

## 11.9.2 UKCA DECLARATION OF CONFORMITY

Hereby, Microchip Technology Inc. declares that the radio equipment type RN4870/71 is in compliance with the Radio Equipment Regulations 2017.

The full text of the UKCA declaration of conformity for this product is available (under *Documents* > *Certifications*) at:

<https://www.microchip.com/en-us/product/RN4870>  
<https://www.microchip.com/en-us/product/RN4871>

## 11.9.3 APPROVED ANTENNAS

For RN4870, the approval is received using the antenna listed in [Figure 8-1](#).

For RN4871, the approval is received using the antenna listed in [Figure 8-2](#).

## 11.9.4 HELPFUL WEBSITES

For more information on the UKCA regulatory approvals, refer to the <https://www.gov.uk/guidance/placing-manufactured-goods-on-the-market-in-great-britain>

## 11.10 Other Regulatory Jurisdictions

Should other regulatory jurisdiction certification be required by the customer, or the customer needs to recertify the module for other reasons, a certification

utility is available. For further regulatory certification utility and documentation, contact your local Microchip Technology sales office.

## 11.11 Other Regulatory Information

- For information about other country jurisdictions not covered here, refer to:  
<http://www.microchip.com/design-centers/wireless-connectivity>
- Should other regulatory jurisdiction certification be required by the customer, or the customer needs to recertify the module for other reasons, contact Microchip for the required utilities and documentation.

## APPENDIX A: REVISION HISTORY

### Revision A (April 2016)

This is the initial release of this document.

### Revision B (October 2017)

- Added the new parts, RN4870-I/RMXXX and RN4871-I/RMXXX, released with increased operating temperature range.
- Updated Features section and removed Description section on page 1.
- Updated [Table 1-1](#), [Table 1-2](#), [Table 1-4](#) and [Table 10-1](#).
- Revised [Table 2-1](#) through [Table 2-4](#).
- Updated [Figure 1-4](#), [Figure 3-1](#), [Figure 3-2](#) and [Figure 4-7](#).
- Added [Section 11.7 “China”](#) to [Section 11.0 “Regulatory Approval”](#).
- Updated [Table 10-1](#) and [“Product Identification System”](#)
- Revision C (December 2017)
- Updated [Table 2-1](#) to correct information for the operating temperature range.

### Revision D (April 2019)

- Updated Bluetooth version from 4.2 to 5.0.
- Updated [Features](#) and [Antenna Options](#).
- Updated [Figure 5-2](#), [Figure 5-3](#), [Figure 5-4](#) and [Figure 5-5](#).
- Updated [Figure 9-1](#) and [Figure 9-2](#) (P2\_0 = 1).
- Updated [Section 7.0 “Supported Services”](#).
- Updated [Section 11.2 “Canada”](#) and [Section 11.3 “Europe”](#).

### Revision E (February 2021)

- Added new description for VDD\_IO pins in [Table 1-2](#).
- Added labeling information of Brazil for RN4871 module.
- Added [Section 11.1.3 “Approved Antennas”](#), [Section 11.2.3 “Approved Antennas”](#) and [Section 11.8 “Brazil”](#).
- Updated [Section 11.2.1 “Labeling and User Information Requirements”](#), [Section 11.3 “Europe”](#) and [Section 11.7 “China”](#).

### Revision F (June 2022)

TABLE F-1: MAJOR SECTION UPDATES

Section	Update Description
<a href="#">11.9 “UKCA (UK Conformity Assessed)”</a>	Added UKCA regulatory approval information

### Revision G (March 2023)

- Updated (included Voltage Monitor/Reset IC on the reference circuit) [Figure 5-2](#), [Figure 5-3](#), [Figure 5-4](#) and [Figure 5-5](#)

### Revision H (December 2023)

- Added Bluetooth SIG/QDID information in [Features](#) and [Section 11.0 “Regulatory Approval”](#)
- Updated [Figure 4-9](#)
- Updated Moisture Sensitivity Level in [Table 2-1](#)

NOTES:



## THE MICROCHIP WEBSITE

Microchip provides online support via our WWW site at [www.microchip.com](http://www.microchip.com). This website is used as a means to make files and information easily available to customers. Accessible by using your favorite Internet browser, the website contains the following information:

- **Product Support** – Data sheets and errata, application notes and sample programs, design resources, user's guides and hardware support documents, latest software releases and archived software
- **General Technical Support** – Frequently Asked Questions (FAQ), technical support requests, online discussion groups, Microchip consultant program member listing
- **Business of Microchip** – Product selector and ordering guides, latest Microchip press releases, listing of seminars and events, listings of Microchip sales offices, distributors and factory representatives

## CUSTOMER CHANGE NOTIFICATION SERVICE

Microchip's customer notification service helps keep customers current on Microchip products. Subscribers will receive e-mail notification whenever there are changes, updates, revisions or errata related to a specified product family or development tool of interest.

To register, access the Microchip website at [www.microchip.com](http://www.microchip.com). Under "Support", click on "Customer Change Notification" and follow the registration instructions.

## CUSTOMER SUPPORT

Users of Microchip products can receive assistance through several channels:

- Distributor or Representative
- Local Sales Office
- Field Application Engineer (FAE)
- Technical Support

Customers should contact their distributor, representative or Field Application Engineer (FAE) for support. Local sales offices are also available to help customers. A listing of sales offices and locations is included in the back of this document.

**Technical support is available through the website at: <http://microchip.com/support>**



NOTES:

# RN4870/71

## PRODUCT IDENTIFICATION SYSTEM

To order or obtain information, for example, on pricing or delivery, refer to the factory or the listed sales office.

<u>PART NO.</u>	<u>V</u>	<u>RM</u>	<u>XXX</u>	
Device	Temperature Range	Package	Firmware Revision Number	
<b>Device:</b>	RN4870: Ceramic Chip Antenna RN4870U: External Antenna RN4871: Ceramic Chip Antenna RN4871U: External Antenna			
<b>Temperature Range:</b>	V = -20°C to +70°C (Various) I = -40°C to +85°C (Industrial)			
<b>Package:</b>	RM = Radio Module			
				<b>Example:</b> RN4870-V/RM118: Various temperature RN4870-I/RM128: Industrial temperature
				<b>Note 1:</b> Tape and Reel identifier only appears in the catalog part number description. This identifier is used for ordering purposes and is <i>not</i> printed on the device package. Check with your Microchip Sales Office for package availability with the Tape and Reel option.

NOTES:



---

---

**Note the following details of the code protection feature on Microchip products:**

- Microchip products meet the specifications contained in their particular Microchip Data Sheet.
- Microchip believes that its family of products is secure when used in the intended manner, within operating specifications, and under normal conditions.
- Microchip values and aggressively protects its intellectual property rights. Attempts to breach the code protection features of Microchip product is strictly prohibited and may violate the Digital Millennium Copyright Act.
- Neither Microchip nor any other semiconductor manufacturer can guarantee the security of its code. Code protection does not mean that we are guaranteeing the product is "unbreakable" Code protection is constantly evolving. Microchip is committed to continuously improving the code protection features of our products.

---

This publication and the information herein may be used only with Microchip products, including to design, test, and integrate Microchip products with your application. Use of this information in any other manner violates these terms. Information regarding device applications is provided only for your convenience and may be superseded by updates. It is your responsibility to ensure that your application meets with your specifications. Contact your local Microchip sales office for additional support or, obtain additional support at <https://www.microchip.com/en-us/support/design-help/client-support-services>.

THIS INFORMATION IS PROVIDED BY MICROCHIP "AS IS". MICROCHIP MAKES NO REPRESENTATIONS OR WARRANTIES OF ANY KIND WHETHER EXPRESS OR IMPLIED, WRITTEN OR ORAL, STATUTORY OR OTHERWISE, RELATED TO THE INFORMATION INCLUDING BUT NOT LIMITED TO ANY IMPLIED WARRANTIES OF NON-INFRINGEMENT, MERCHANTABILITY, AND FITNESS FOR A PARTICULAR PURPOSE, OR WARRANTIES RELATED TO ITS CONDITION, QUALITY, OR PERFORMANCE.

IN NO EVENT WILL MICROCHIP BE LIABLE FOR ANY INDIRECT, SPECIAL, PUNITIVE, INCIDENTAL, OR CONSEQUENTIAL LOSS, DAMAGE, COST, OR EXPENSE OF ANY KIND WHATSOEVER RELATED TO THE INFORMATION OR ITS USE, HOWEVER CAUSED, EVEN IF MICROCHIP HAS BEEN ADVISED OF THE POSSIBILITY OR THE DAMAGES ARE FORESEEABLE. TO THE FULLEST EXTENT ALLOWED BY LAW, MICROCHIP'S TOTAL LIABILITY ON ALL CLAIMS IN ANY WAY RELATED TO THE INFORMATION OR ITS USE WILL NOT EXCEED THE AMOUNT OF FEES, IF ANY, THAT YOU HAVE PAID DIRECTLY TO MICROCHIP FOR THE INFORMATION.

Use of Microchip devices in life support and/or safety applications is entirely at the buyer's risk, and the buyer agrees to defend, indemnify and hold harmless Microchip from any and all damages, claims, suits, or expenses resulting from such use. No licenses are conveyed, implicitly or otherwise, under any Microchip intellectual property rights unless otherwise stated.

For information regarding Microchip's Quality Management Systems, please visit [www.microchip.com/quality](http://www.microchip.com/quality).

**Trademarks**

The Microchip name and logo, the Microchip logo, Adaptec, AVR, AVR logo, AVR Freaks, BesTime, BitCloud, CryptoMemory, CryptoRF, dsPIC, flexPWR, HELDO, IGLoo, JukeBlox, KeeLoq, Klear, LANCheck, LinkMD, maXStylus, maXTouch, MediaLB, megaAVR, Microsemi, Microsemi logo, MOST, MOST logo, MPLAB, OptoLyzer, PIC, picoPower, PICSTART, PIC32 logo, PolarFire, Prochip Designer, QTouch, SAM-BA, SenGenuity, SpyNIC, SST, SST Logo, SuperFlash, Symmetricom, SyncServer, Tachyon, TimeSource, tinyAVR, UNI/O, Vectron, and XMEGA are registered trademarks of Microchip Technology Incorporated in the U.S.A. and other countries.

AgileSwitch, APT, ClockWorks, The Embedded Control Solutions Company, EtherSynch, Flashtec, Hyper Speed Control, HyperLight Load, Libero, motorBench, mTouch, Powermite 3, Precision Edge, ProASIC, ProASIC Plus, ProASIC Plus logo, Quiet-Wire, SmartFusion, SyncWorld, Temux, TimeCesium, TimeHub, TimePictra, TimeProvider, TrueTime, and ZL are registered trademarks of Microchip Technology Incorporated in the U.S.A.

Adjacent Key Suppression, AKS, Analog-for-the-Digital Age, Any Capacitor, AnyIn, AnyOut, Augmented Switching, BlueSky, BodyCom, Clockstudio, CodeGuard, CryptoAuthentication, CryptoAutomotive, CryptoCompanion, CryptoController, dsPICDEM, dsPICDEM.net, Dynamic Average Matching, DAM, ECAN, Espresso T1S, EtherGREEN, GridTime, IdealBridge, In-Circuit Serial Programming, ICSP, INICnet, Intelligent Paralleling, IntelliMOS, Inter-Chip Connectivity, JitterBlocker, Knob-on-Display, KoD, maxCrypto, maxView, memBrain, Mindi, MiWi, MPASM, MPF, MPLAB Certified logo, MPLIB, MPLINK, MultiTRAK, NetDetach, Omniscient Code Generation, PICDEM, PICDEM.net, PICkit, PICtail, PowerSmart, PureSilicon, QMatrix, REAL ICE, Ripple Blocker, RTAX, RTG4, SAM-ICE, Serial Quad I/O, simpleMAP, SimpliPHY, SmartBuffer, SmartHLS, SMART-I.S., storClad, SQI, SuperSwitcher, SuperSwitcher II, Switchtec, SynchroPHY, Total Endurance, Trusted Time, TSHARC, USBCheck, VariSense, VectorBlox, VeriPHY, ViewSpan, WiperLock, XpressConnect, and ZENA are trademarks of Microchip Technology Incorporated in the U.S.A. and other countries.

SQTP is a service mark of Microchip Technology Incorporated in the U.S.A.

The Adaptec logo, Frequency on Demand, Silicon Storage Technology, and Symmcom are registered trademarks of Microchip Technology Inc. in other countries.

GestIC is a registered trademark of Microchip Technology Germany II GmbH & Co. KG, a subsidiary of Microchip Technology Inc., in other countries.

All other trademarks mentioned herein are property of their respective companies.

© 2016-2023, Microchip Technology Incorporated and its subsidiaries.

All Rights Reserved.

ISBN: 978-1-6683-3520-8



# MICROCHIP

## Worldwide Sales and Service

### AMERICAS

**Corporate Office**  
2355 West Chandler Blvd.  
Chandler, AZ 85224-6199  
Tel: 480-792-7200  
Fax: 480-792-7277  
Technical Support:  
<http://www.microchip.com/support>  
Web Address:  
[www.microchip.com](http://www.microchip.com)

#### Atlanta

Duluth, GA  
Tel: 678-957-9614  
Fax: 678-957-1455

#### Austin, TX

Tel: 512-257-3370

#### Boston

Westborough, MA  
Tel: 774-760-0087  
Fax: 774-760-0088

#### Chicago

Itasca, IL  
Tel: 630-285-0071  
Fax: 630-285-0075

#### Dallas

Addison, TX  
Tel: 972-818-7423  
Fax: 972-818-2924

#### Detroit

Novi, MI  
Tel: 248-848-4000

#### Houston, TX

Tel: 281-894-5983

#### Indianapolis

Noblesville, IN  
Tel: 317-773-8323  
Fax: 317-773-5453  
Tel: 317-536-2380

#### Los Angeles

Mission Viejo, CA  
Tel: 949-462-9523  
Fax: 949-462-9608  
Tel: 951-273-7800

#### Raleigh, NC

Tel: 919-844-7510

#### New York, NY

Tel: 631-435-6000

#### San Jose, CA

Tel: 408-735-9110  
Tel: 408-436-4270

#### Canada - Toronto

Tel: 905-695-1980  
Fax: 905-695-2078

### ASIA/PACIFIC

**Australia - Sydney**  
Tel: 61-2-9868-6733

**China - Beijing**  
Tel: 86-10-8569-7000

**China - Chengdu**  
Tel: 86-28-8665-5511

**China - Chongqing**  
Tel: 86-23-8980-9588

**China - Dongguan**  
Tel: 86-769-8702-9880

**China - Guangzhou**  
Tel: 86-20-8755-8029

**China - Hangzhou**  
Tel: 86-571-8792-8115

**China - Hong Kong SAR**  
Tel: 852-2943-5100

**China - Nanjing**  
Tel: 86-25-8473-2460

**China - Qingdao**  
Tel: 86-532-8502-7355

**China - Shanghai**  
Tel: 86-21-3326-8000

**China - Shenyang**  
Tel: 86-24-2334-2829

**China - Shenzhen**  
Tel: 86-755-8864-2200

**China - Suzhou**  
Tel: 86-186-6233-1526

**China - Wuhan**  
Tel: 86-27-5980-5300

**China - Xian**  
Tel: 86-29-8833-7252

**China - Xiamen**  
Tel: 86-592-2388138

**China - Zhuhai**  
Tel: 86-756-3210040

### ASIA/PACIFIC

**India - Bangalore**  
Tel: 91-80-3090-4444

**India - New Delhi**  
Tel: 91-11-4160-8631

**India - Pune**  
Tel: 91-20-4121-0141

**Japan - Osaka**  
Tel: 81-6-6152-7160

**Japan - Tokyo**  
Tel: 81-3-6880-3770

**Korea - Daegu**  
Tel: 82-53-744-4301

**Korea - Seoul**  
Tel: 82-2-554-7200

**Malaysia - Kuala Lumpur**  
Tel: 60-3-7651-7906

**Malaysia - Penang**  
Tel: 60-4-227-8870

**Philippines - Manila**  
Tel: 63-2-634-9065

**Singapore**  
Tel: 65-6334-8870

**Taiwan - Hsin Chu**  
Tel: 886-3-577-8366

**Taiwan - Kaohsiung**  
Tel: 886-7-213-7830

**Taiwan - Taipei**  
Tel: 886-2-2508-8600

**Thailand - Bangkok**  
Tel: 66-2-694-1351

**Vietnam - Ho Chi Minh**  
Tel: 84-28-5448-2100

### EUROPE

**Austria - Wels**  
Tel: 43-7242-2244-39  
Fax: 43-7242-2244-393

**Denmark - Copenhagen**  
Tel: 45-4485-5910  
Fax: 45-4485-2829

**Finland - Espoo**  
Tel: 358-9-4520-820

**France - Paris**  
Tel: 33-1-69-53-63-20  
Fax: 33-1-69-30-90-79

**Germany - Garching**  
Tel: 49-8931-9700

**Germany - Haan**  
Tel: 49-2129-3766400

**Germany - Heilbronn**  
Tel: 49-7131-72400

**Germany - Karlsruhe**  
Tel: 49-721-625370

**Germany - Munich**  
Tel: 49-89-627-144-0  
Fax: 49-89-627-144-44

**Germany - Rosenheim**  
Tel: 49-8031-354-560

**Israel - Ra'anana**  
Tel: 972-9-744-7705

**Italy - Milan**  
Tel: 39-0331-742611  
Fax: 39-0331-466781

**Italy - Padova**  
Tel: 39-049-7625286

**Netherlands - Drunen**  
Tel: 31-416-690399  
Fax: 31-416-690340

**Norway - Trondheim**  
Tel: 47-7288-4388

**Poland - Warsaw**  
Tel: 48-22-3325737

**Romania - Bucharest**  
Tel: 40-21-407-87-50

**Spain - Madrid**  
Tel: 34-91-708-08-90  
Fax: 34-91-708-08-91

**Sweden - Gothenberg**  
Tel: 46-31-704-60-40

**Sweden - Stockholm**  
Tel: 46-8-5090-4654

**UK - Wokingham**  
Tel: 44-118-921-5800  
Fax: 44-118-921-5820