

CGA4J1X7T0J226M125AC

TDK item description : CGA4J1X7T0J226M****



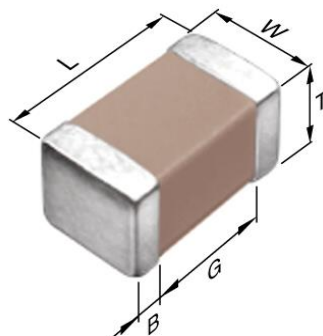
Equivalent C2012X7T0J226M for Automotive

Application & Main Feature

Automotive grade (General type)

Series

CGA4(2012) [EIA 0805]



Dimensions

L 2.00+0.30/-0.15 mm
 W 1.25+0.30/-0.15 mm
 T 1.25+0.30/-0.15 mm
 B 0.20 mm min.
 G 0.50 mm min.

Temperature Characteristic

X7T (-55 to +125 degC, +22/-33%)

Rated Voltage

0J (6.3Vdc)

Capacitance

22 μ F

Capacitance Tolerance

M (\pm 20%)

DF

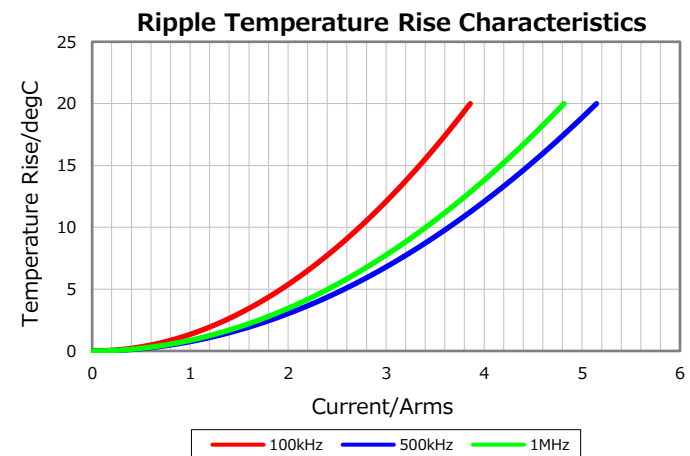
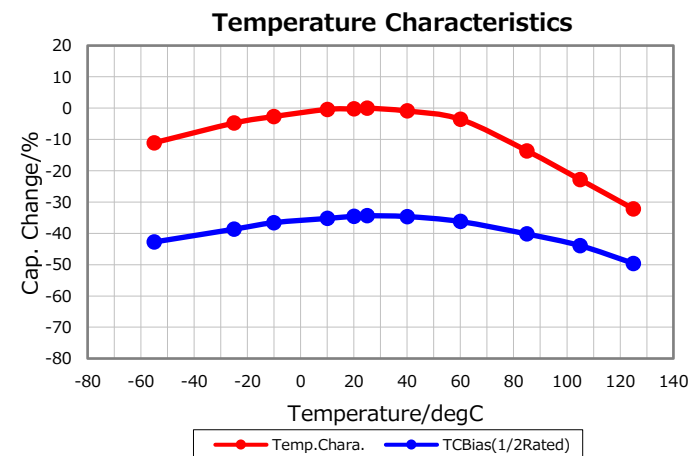
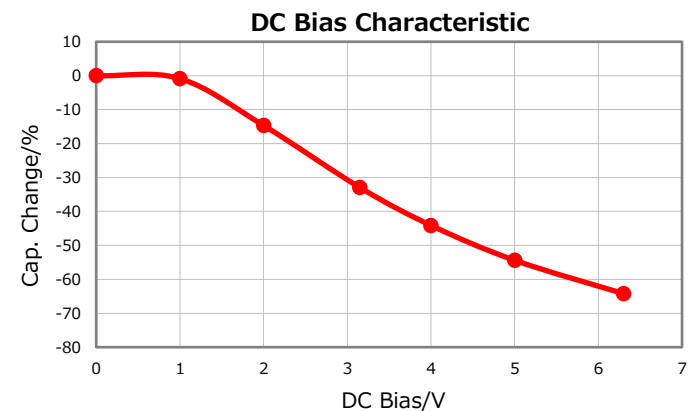
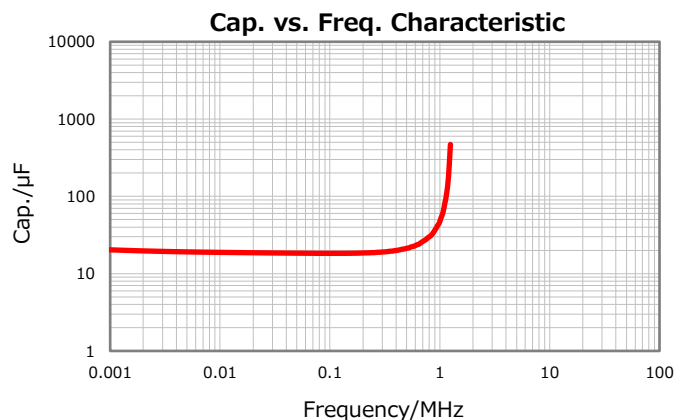
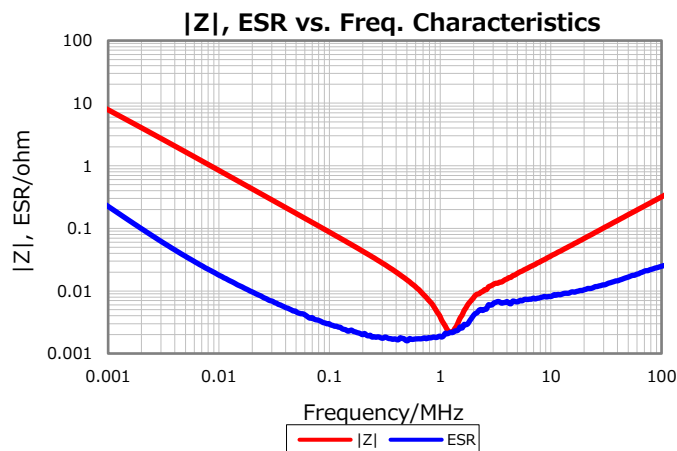
10 % max.

Insulation Resistance

4 Mohm min.

AEC-Q200

Yes



Characterization Sheet (Multilayer Ceramic Chip Capacitors)



All specifications are subject to change without notice.

July 6, 2020