

THIS DRAWING IS UNPUBLISHED.

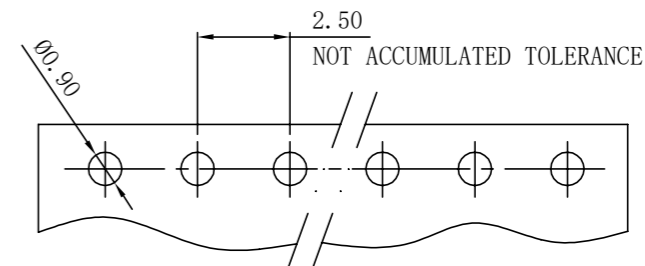
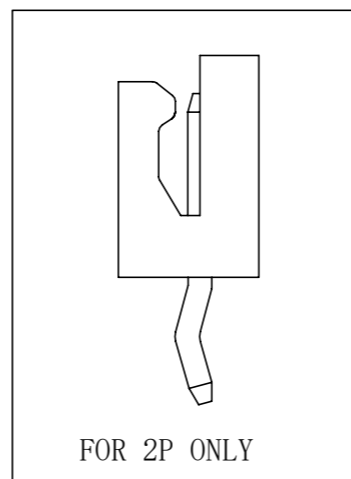
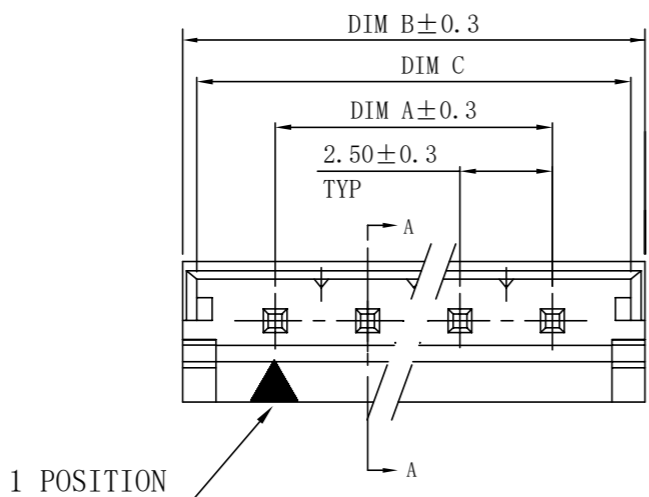
RELEASED FOR PUBLICATION

ALL RIGHTS RESERVED.

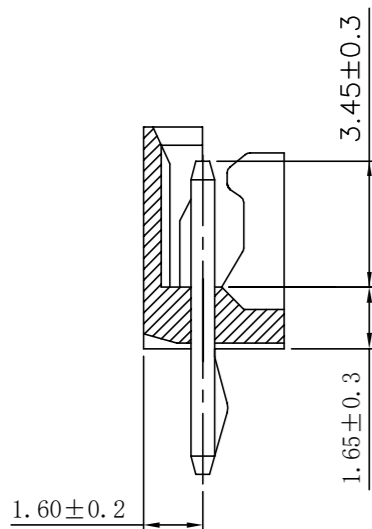
© COPYRIGHT - By -

REVISIONS

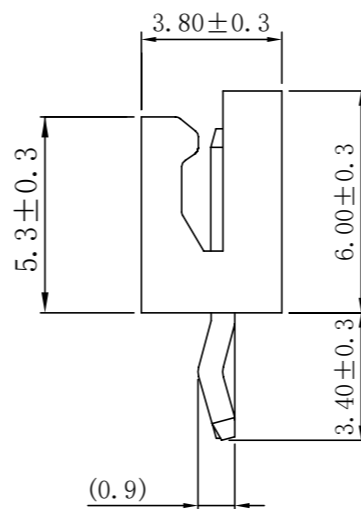
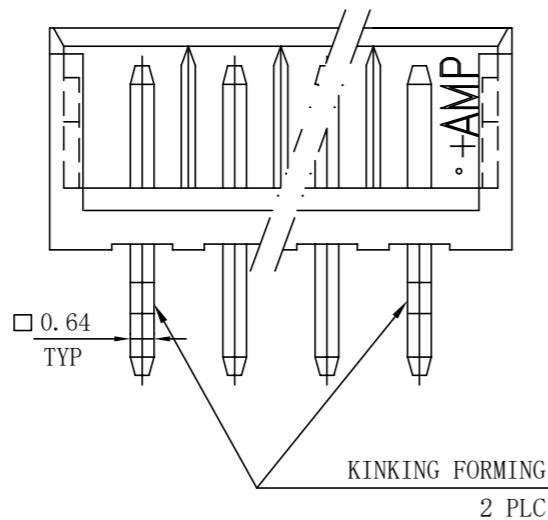
P	LTR	DESCRIPTION	DATE	DWN	APVD
	C8	ECR-20-004633	19MAR2020	T.Q	W.H



RECOMMEND PCB LAYOUT (PCB THK=1.0~1.6)



SECTION A-A



FOR 3P TO 15P

DIM C	DIM B	DIM A	CIRCUITS	HOUSING COLOR	PART NUMBER
14.2	15.0	10.00	4P	OBSOLETE	5-440052-3
14.2	15.0	10.00	4P		5-440052-2
9.2	10.0	5.00	2P		5-440052-1
14.2	15.0	10.00	3P		4-440052-5
39.2	40.0	35.00	15P		1-440052-5
36.7	37.5	32.50	14P		1-440052-4
34.2	35.0	30.00	13P		1-440052-3
31.7	32.5	27.50	12P		1-440052-2
29.2	30.0	25.00	11P		1-440052-1
26.7	27.5	22.50	10P		1-440052-0
24.2	25.0	20.00	9P		440052-9
21.7	22.5	17.50	8P		440052-8
19.2	20.0	15.00	7P		440052-7
16.7	17.5	12.50	6P		440052-6
14.2	15.0	10.00	5P		440052-5
11.7	12.5	7.50	4P		440052-4
9.2	10.0	5.00	3P		440052-3
6.7	7.5	2.50	2P		440052-2
				YELLOW	NATURAL
				NATURAL	NATURAL

NOTE:

- MATERIAL : HOUSING : THERMOPLASTIC UL94V-0, COLOR: SEE TABLE. CONTACT : BRASS.
- FINISH: CONTACT : 80u" MIN. TIN PLATED ON CONTACT AREA.
- WHEN EXTRACTING RECEPTACLE HOUSING FROM HEADER, NOT WIRE BUT RECEPTACLE HOUSING SHOULD BE CRIPED IN OEDER TO AVOID THE WIRE BREAKAGE.
- PART 4-440052-5 IS PART 440052-5 WITH PIN 2 AND 4 REMOVED.

- PART 5-440052-1 IS PART 440052-3 BUT 2ND PIN REMOVED.
- PART 5-440052-2 IS PART 440052-5 BUT 4TH PIN REMOVED.
- 0% MATERIAL REGRIND PARTS
- PART 5-440052-3 IS PART 440052-5 BUT 3RD PIN REMOVED.

THIS DRAWING IS A CONTROLLED DOCUMENT.

DIMENSIONS:	TOLERANCES UNLESS OTHERWISE SPECIFIED:
mm	
	0 PLC ± 0.5
	1 PLC ± 0.3
	2 PLC ± 0.2
	3 PLC ± 0.15
	4 PLC ± -
	ANGLES ± -
MATERIAL	FINISH
-	-

DWN	O. HU	09JUN2003
CHK	A. WU	09JUN2003
APVD	J. CHENG	09JUN2003
PRODUCT SPEC	108-57099	
APPLICATION SPEC	-	
WEIGHT	-	
CUSTOMER DRAWING		



2.5 MM PITCH HPI VERTICAL POST HEADERS

SIZE	CAGE CODE	DRAWING NO	RESTRICTED TO
A3	00779	C=440052	-
SCALE	SHEET	REV	
1:1	1 of 5	C8	

4

3

2

1

THIS DRAWING IS UNPUBLISHED.

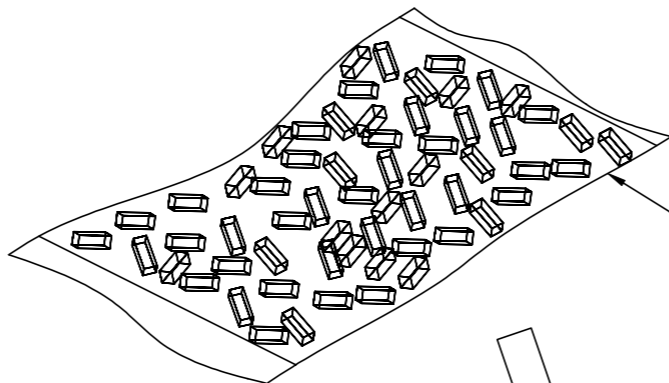
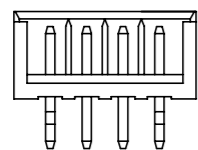
RELEASED FOR PUBLICATION

ALL RIGHTS RESERVED.

© COPYRIGHT - By -

REVISIONS

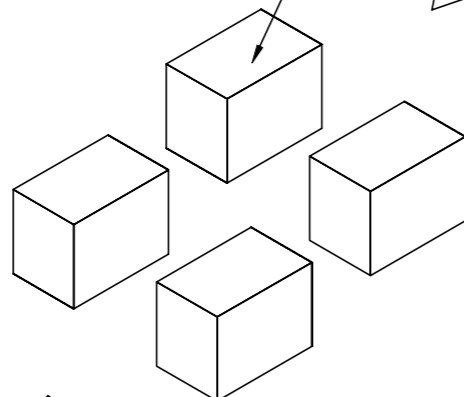
P	LTR	DESCRIPTION	DATE	DWN	APVD
-	-	SEE SHEET 1	-	-	-



POLY BAG
127mm (L) X 203mm (W) X 0.07mm (H)

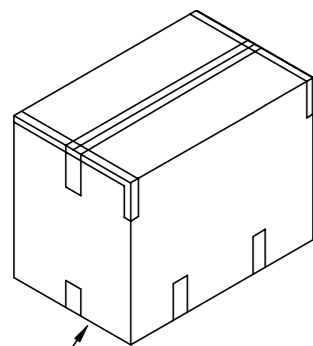
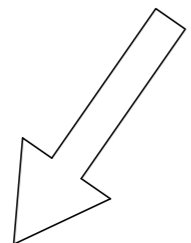
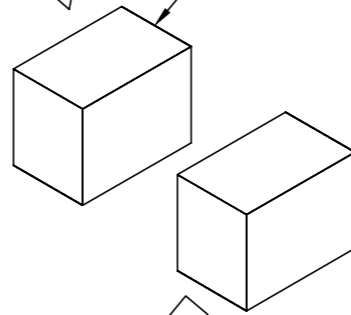


INEER BOX

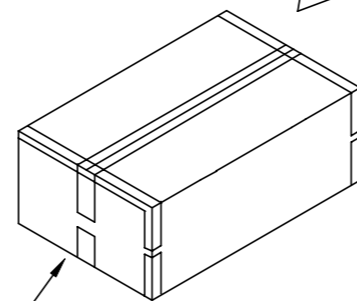


320mm (L) X 220mm (W) X 140mm (H)

INEER BOX
320mm (L) X 220mm (W) X 140mm (H)



CARTON
340mm (L) X 470mm (W) X 316mm (H)
(FOR HEADER 6P~16P ONLY)



CARTON
340mm (L) X 470mm (W) X 168mm (H)
(FOR HEADER 2P~5P ONLY)

QTY	QTY	QTY	QTY	QTY	QTY
20,000	500	4P	OBSOLETE	△	5-440052-2
20,000	500	4P	OBSOLETE	△	5-440052-2
30,000	750	2P	OBSOLETE	△	5-440052-1
20,000	500	3P	OBSOLETE	△	4-440052-5
12,960	180	15P	3-440052-5	△	1-440052-5
12,000	200	14P	3-440052-4	△	1-440052-4
14,400	200	13P	3-440052-3	△	1-440052-3
16,000	250	12P	3-440052-2	△	1-440052-2
16,000	250	11P	3-440052-1	△	1-440052-1
20,000	250	10P	3-440052-0	△	1-440052-0
21,600	300	9P	2-440052-9	△	440052-9
25,200	350	8P	2-440052-8	△	440052-8
28,000	350	7P	2-440052-7	△	440052-7
35,000	350	6P	2-440052-6	△	440052-6
20,000	500	5P	2-440052-5	△	440052-5
24,000	600	4P	2-440052-4	△	440052-4
30,000	750	3P	2-440052-3	△	440052-3
36,000	1,000	2P	2-440052-2	△	440052-2
AP (PCS CARTON)	PP (PCS BAG)	CIRCUITS	YELLOW	NATURAL	NATURAL
			HOUSING COLOR		
			PART NUMBER		

THIS DRAWING IS A CONTROLLED DOCUMENT.

DWN	O. HU	09JUN2003	STE TE Connectivity
CHK	A. WU	09JUN2003	
APVD	J. CHENG	09JUN2003	NAME
PRODUCT SPEC			2.5 MM PITCH HPI VERTICAL POST HEADERS
APPLICATION SPEC			
WEIGHT 0.000000			SIZE A3
CUSTOMER DRAWING			CAGE CODE 00779
			DRAWING NO C=440052
			RESTRICTED TO
			SCALE 1:1
			SHEET 2 of 5
			REV C8

DIMENSIONS:	TOLERANCES UNLESS OTHERWISE SPECIFIED:
mm	
0 PLC	± -
1 PLC	± -
2 PLC	± -
3 PLC	± -
4 PLC	± -
ANGLES	± -
MATERIAL	FINISH
-	-

4

3

2

1

THIS DRAWING IS UNPUBLISHED.

RELEASED FOR PUBLICATION

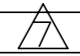
--

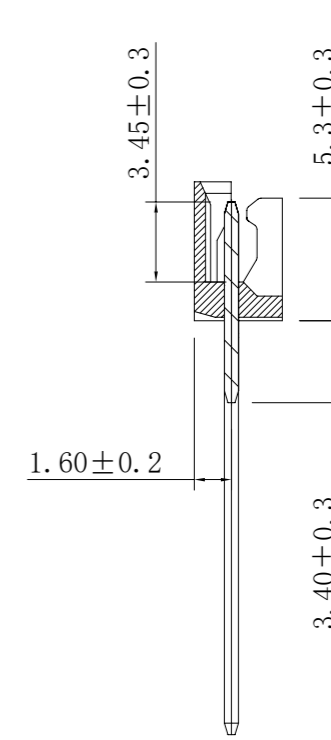
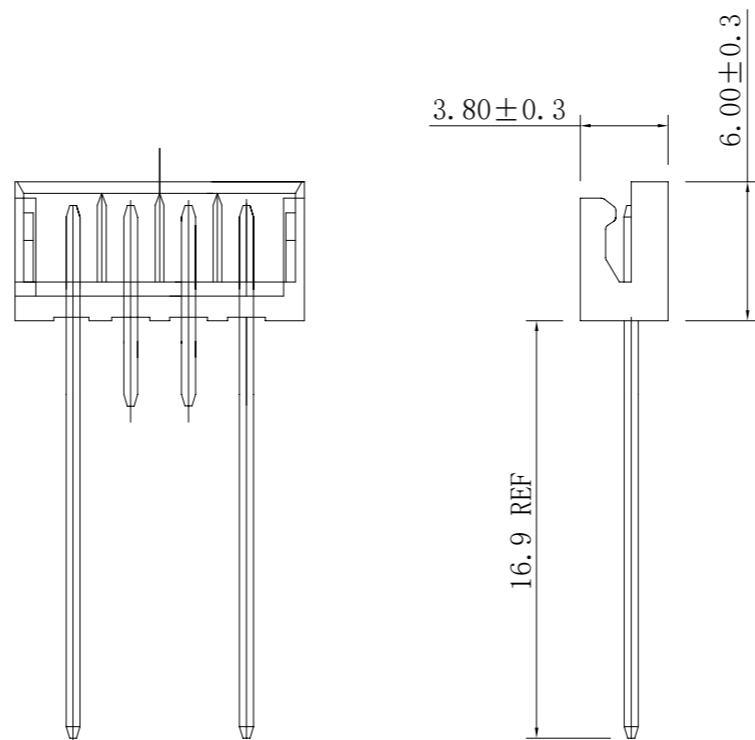
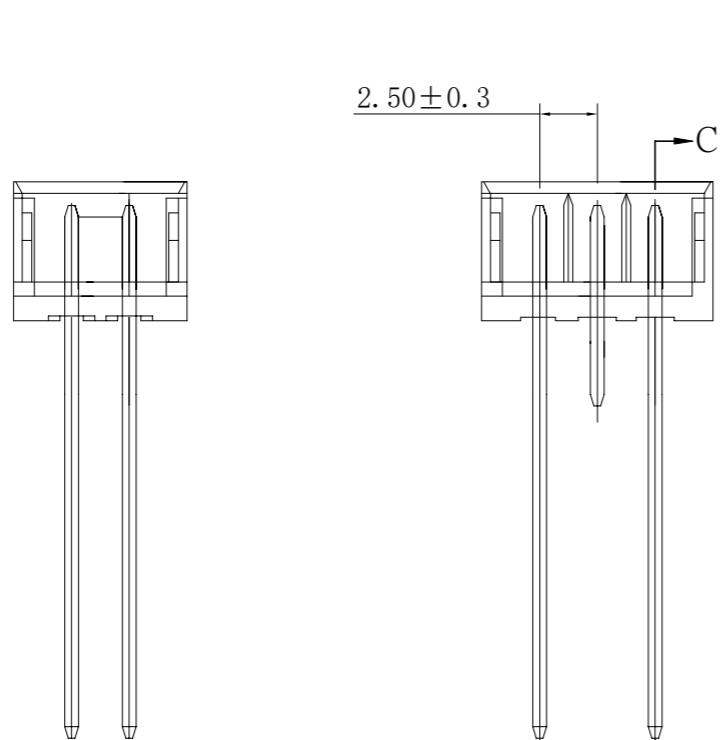
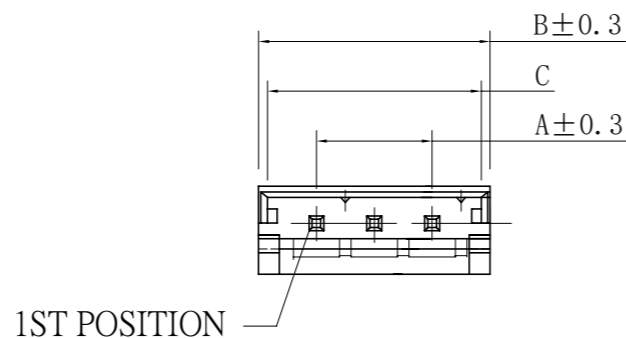
ALL RIGHTS RESERVED.

© COPYRIGHT - By -

REVISIONS

P	LTR	DESCRIPTION	DATE	DWN	APVD
-	-	SEE SHEET 1	-	-	-

					
11.7	12.5	7.50	4P	8-440052-4	4-440052-4
9.2	10.0	5.00	3P	8-440052-3	4-440052-3
6.7	7.5	2.50	2P	8-440052-2	4-440052-2
C	B	A	POS	P/N	P/N



2POS


3POS

4POS

SECTION:C-C

NOTE:

- MATERIAL :
HOUSING : THERMOPLASTIC UL94V-0,
COLOR: NATURAL.
CONTACT : BRASS.
- FINISH:
CONTACT : 80u" MIN. TIN PLATED ON CONTACT AREA.
- WHEN EXTRACTING RECEPTACLE HOUSING FROM HEADER,
NOT WIRE BUT RECEPTACLE HOUSING SHOULD BE
CRIPED IN OEDER TO AVOID THE WIRE BREAKAGE.

THIS DRAWING IS A CONTROLLED DOCUMENT.		DWN O. HU 09JUN2003	 TE Connectivity												
		CHK A. WU 09JUN2003													
DIMENSIONS: mm		APVD J. CHENG 09JUN2003	NAME												
TOLERANCES UNLESS OTHERWISE SPECIFIED:		PRODUCT SPEC 108-57099		2.5 MM PITCH HPI VERTICAL POST HEADERS											
<table border="0"> <tr><td>0 PLC</td><td>± 0.5</td></tr> <tr><td>1 PLC</td><td>± 0.3</td></tr> <tr><td>2 PLC</td><td>± 0.2</td></tr> <tr><td>3 PLC</td><td>± 0.15</td></tr> <tr><td>4 PLC</td><td>± -</td></tr> <tr><td>ANGLES</td><td>± -</td></tr> </table>		0 PLC	± 0.5		1 PLC	± 0.3	2 PLC	± 0.2	3 PLC	± 0.15	4 PLC	± -	ANGLES	± -	APPLICATION SPEC
0 PLC	± 0.5														
1 PLC	± 0.3														
2 PLC	± 0.2														
3 PLC	± 0.15														
4 PLC	± -														
ANGLES	± -														
MATERIAL		WEIGHT 0.000000	SIZE A3	CAGE CODE 00779											
		DRAWING NO C=440052		RESTRICTED TO											
		CUSTOMER DRAWING		SCALE 1:1											
		SHEET 3 of 5		REV C8											

THIS DRAWING IS UNPUBLISHED.

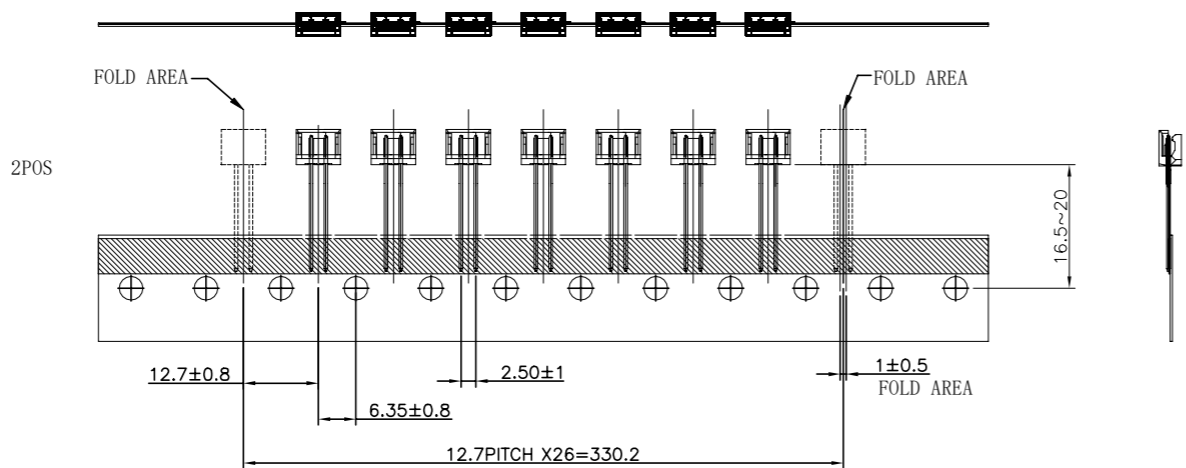
RELEASED FOR PUBLICATION

ALL RIGHTS RESERVED.

© COPYRIGHT - By -

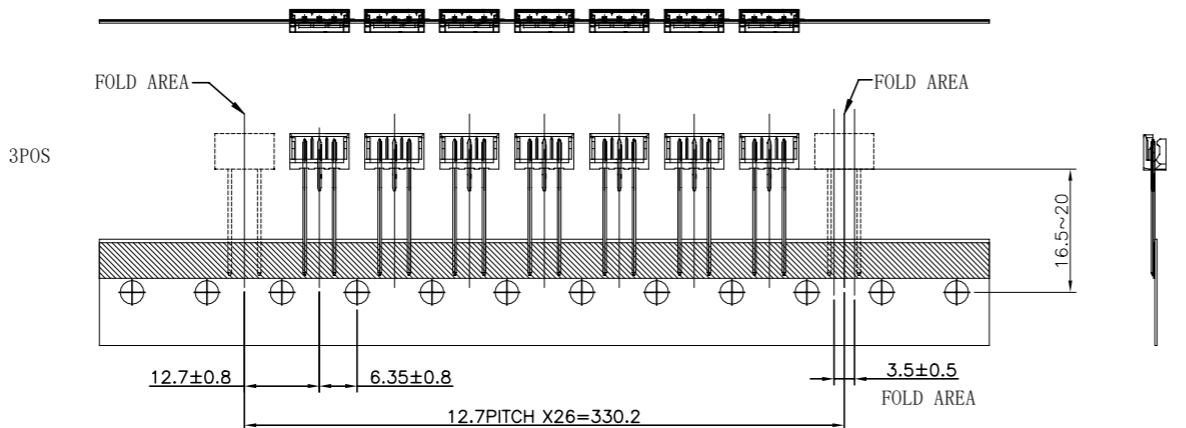
REVISIONS

P	LTR	DESCRIPTION	DATE	DWN	APVD
-	-	SEE SHEET 1	-	-	-

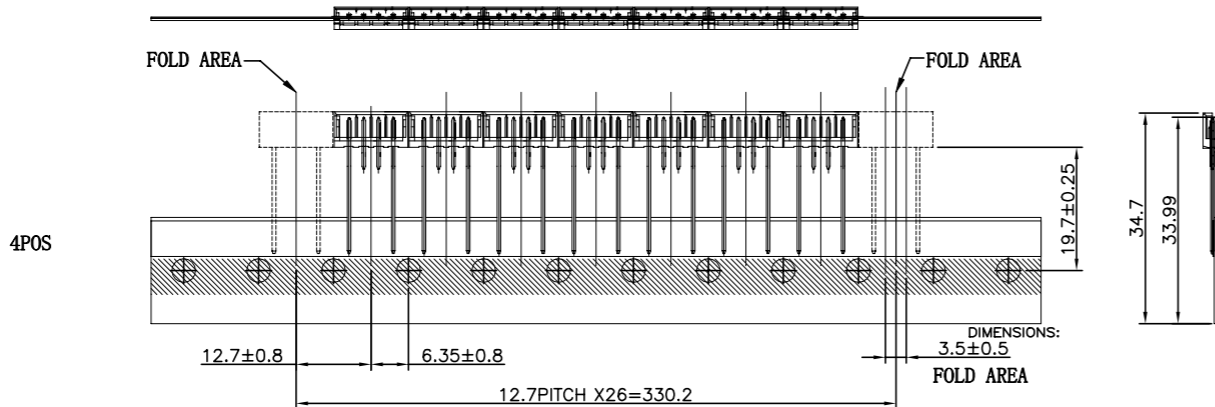


NOTES:

- 1. BRAID: 12.7PITCH*26=330.2
- 2. CATON; 342*310*42mm
- 3. QUANTITY: 2POS--1500pcs/box
3POS--1500pcs/box
4POS--720pcs/box



4P	8-440052-4	4-440052-4
3P	8-440052-3	4-440052-3
2P	8-440052-2	4-440052-2
POS	P/N	P/N



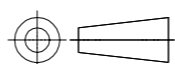
THIS DRAWING IS A CONTROLLED DOCUMENT.

DWN	O. HU	09JUN2003
CHK	A. WU	09JUN2003
APVD	J. CHENG	09JUN2003



DIMENSIONS: mm

TOLERANCES UNLESS OTHERWISE SPECIFIED:



0 PLC	± -
1 PLC	± -
2 PLC	± -
3 PLC	± -
4 PLC	± -
ANGLES	± -

MATERIAL FINISH

PRODUCT SPEC 108-57099 APPLICATION SPEC

NAME 2.5 MM PITCH HPI VERTICAL POST HEADERS

WEIGHT 0.000000

SIZE	CAGE CODE	DRAWING NO	RESTRICTED TO
A3	00779	C=440052	-

CUSTOMER DRAWING SCALE 1:1 SHEET 4 of 5 REV C8

THIS DRAWING IS UNPUBLISHED.

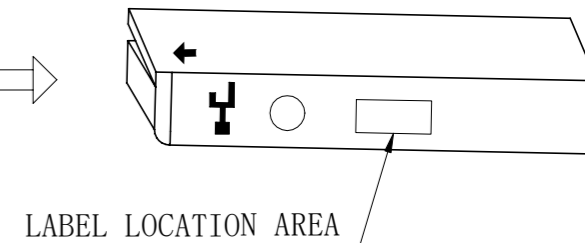
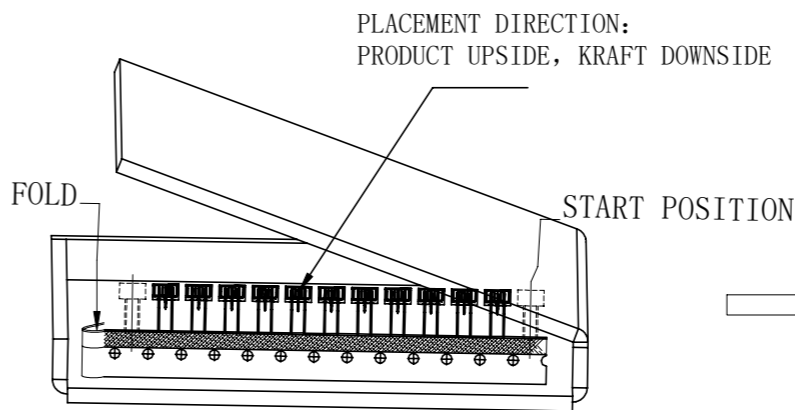
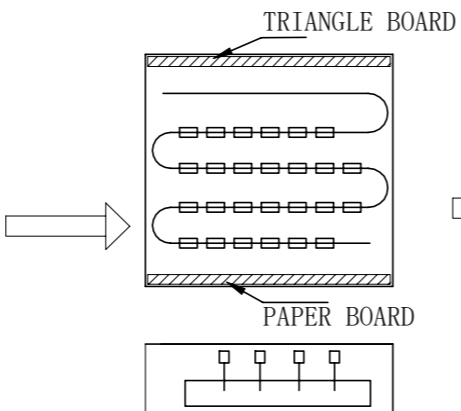
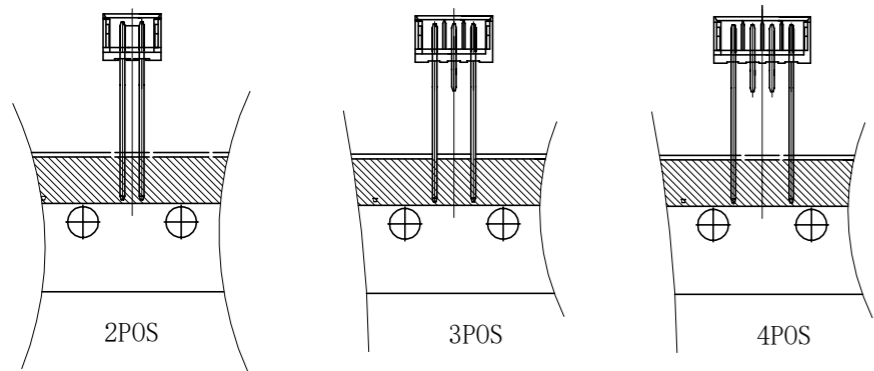
RELEASED FOR PUBLICATION

ALL RIGHTS RESERVED.

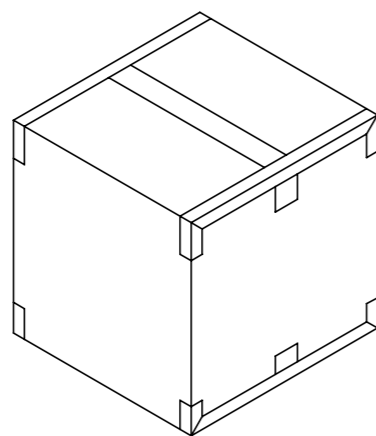
© COPYRIGHT - By -

REVISIONS

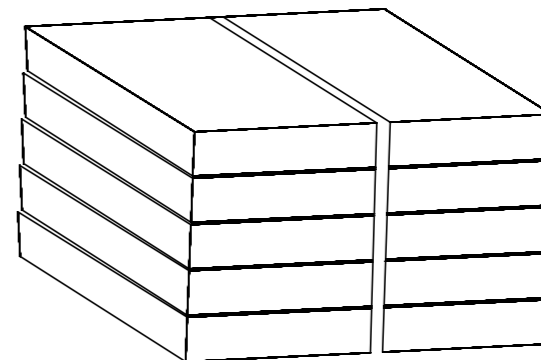
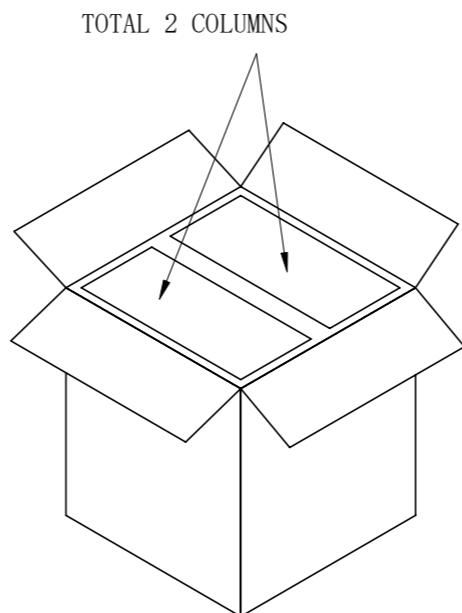
P	LTR	DESCRIPTION	DATE	DWN	APVD
-	-	SEE SHEET 1	-	-	-



- 1, QUANTITY; 2POS--1500pcs/BOX
- 3POS--1500pcs/BOX
- 4POS--720pcs/BOX



QUANTITY:
 2POS&3POS: 1500x10=15000PCS
 4POS: 720x10=7200PCS



4P	3P	2P	POS	P/N	P/N
8-440052-4	8-440052-3	8-440052-2			

THIS DRAWING IS A CONTROLLED DOCUMENT.		DWN O. HU 09JUN2003	STE TE Connectivity	
DIMENSIONS: mm		CHK A. WU 09JUN2003		
TOLERANCES UNLESS OTHERWISE SPECIFIED:		APVD J. CHENG 09JUN2003	NAME	
0 PLC ± -		PRODUCT SPEC	2.5 MM PITCH HPI VERTICAL POST HEADERS	
1 PLC ± -		108-57099		
2 PLC ± -		APPLICATION SPEC		
3 PLC ± -			SIZE	CAGE CODE
4 PLC ± -			A3	00779
ANGLES ± -		WEIGHT	DRAWING NO	
FINISH		0.000000	C=440052	
MATERIAL		CUSTOMER DRAWING	RESTRICTED TO	
		SCALE	REV	
		1:1	5 of 5 C8	

Mouser Electronics

Authorized Distributor

Click to View Pricing, Inventory, Delivery & Lifecycle Information:

[TE Connectivity:](#)

[440052-3](#)