

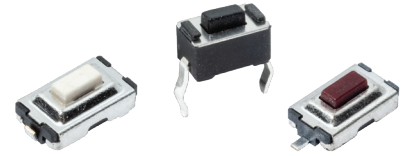
# PTS636 Series 6.0 x 3.5 Top Actuated

## Features/Benefits

- 6.0 x 3.5 mm footprint
- Multiple heights
- THT or SMT type

## Typical Applications

- IoT devices
- Home automation
- Remote controls



## Specification

FUNCTION: Momentary action  
CONTACT ARRANGEMENT: 1 make contact = SPST, N.O.  
TERMINALS: THT, J, G and F type for SMT

## Electrical

MAXIMUM VOLTAGE: 12 VDC  
MAXIMUM CURRENT DC: 50 mA  
DIELECTRIC STRENGTH: 250 VA C (1mn)  
CONTACT RESISTANCE:  $\leq 100$  m  $\Omega$   
INSULATION RESISTANCE:  $\geq 100$  M  $\Omega$   
BOUNCE TIME:  $\leq 10$  ms  
TRAVEL:  $0.25 \pm 0.1$  mm

## Environmental

OPERATING TEMPERATURE:  $-40^{\circ}\text{C}$  to  $90^{\circ}\text{C}$

## Life Cycles

Height (mm)	Force	Operating Life
2.5mm	180gf $\pm$ 30gf	70,000
	250gf $\pm$ 50gf	100,000
4.3mm & 5.0mm	130gf $\pm$ 50gf	50,000
	180gf $\pm$ 50gf	50,000
	250gf $\pm$ 50gf	30,000
	320gf $\pm$ 50gf	20,000

## Process

SOLDERING: This component is suited to the following methods:  
– Infrared Reflow Soldering in accordance with IEC61760-1

## Packaging

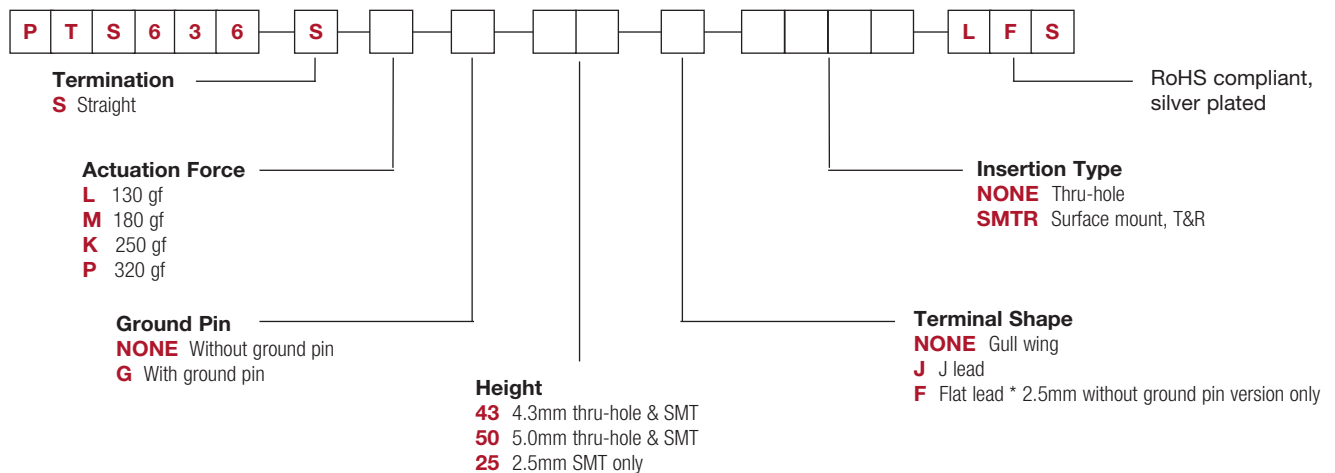
In bags of 1,000 pcs for THT  
In reels of 3,000 pieces for 2.5 mm height  
In reels of 1,500 pieces for 4.3 and 5.0 mm height  
Dimensions of reels according to EIA 481B  
External diameter 330 mm

## NOTE:

- Specifications listed above are for switches with standard options. For information on specific and custom switches, consult Customer Service Center.
- The PTS series is not certified for using in Automotive application and no PPAP. However, in the case of some automotive accessories and specific applications for 2 and 3 wheeled vehicles the PTS is widely used and very suitable. Please contact your local C&K representative to discuss your application and the best switch solution.

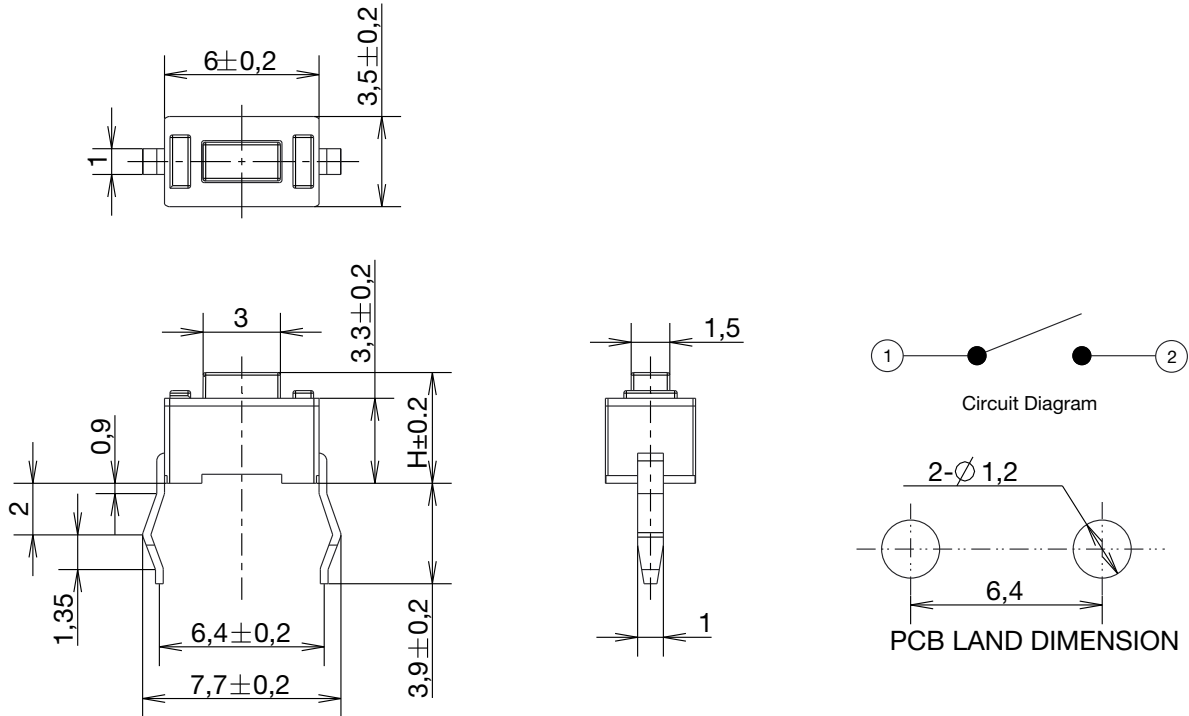
## How To Order

Our easy build-a-switch concept allows you to mix and match options to create the switch you need. To order, select desired option from each category and place it in the appropriate box.

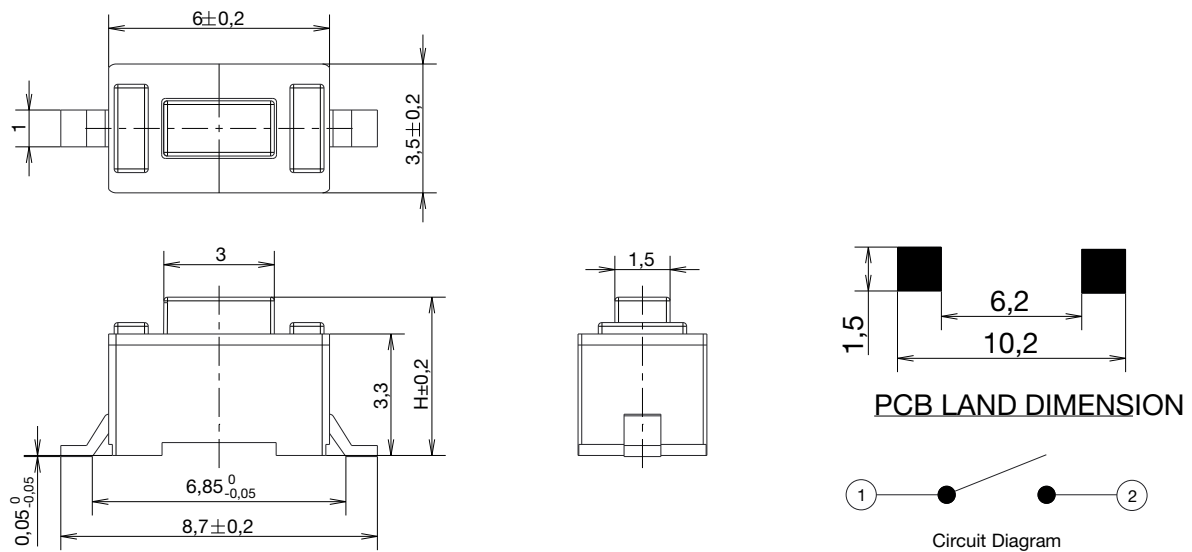


# PTS636 Series 6.0 x 3.5 Top Actuated

THT versions (4.3 & 5.0 mm height)



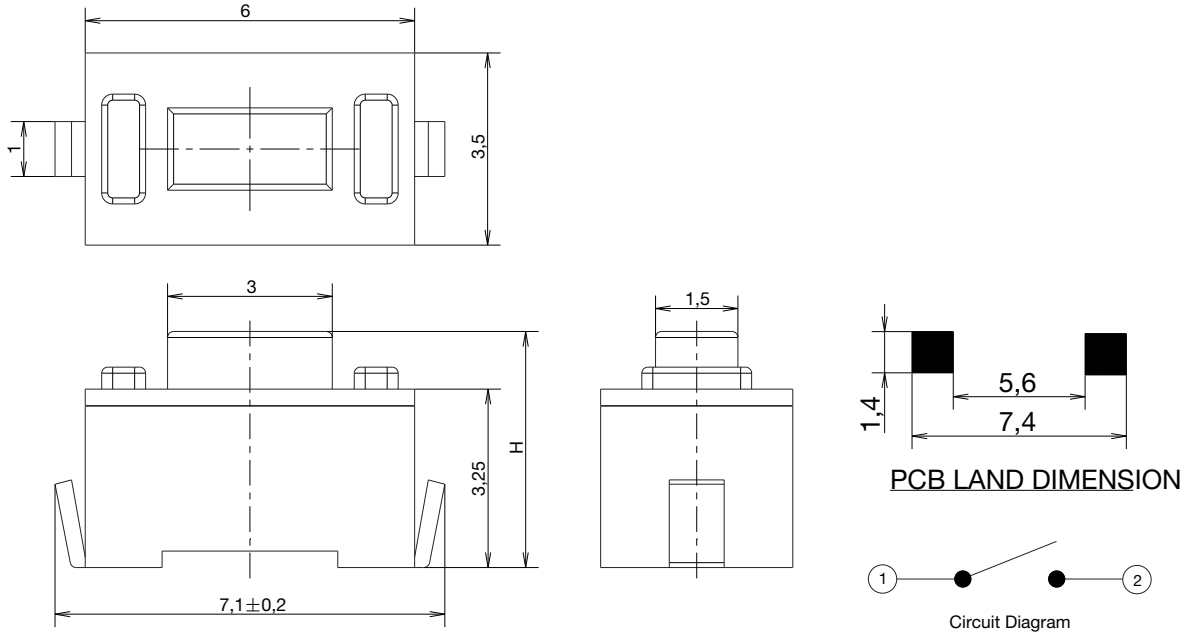
SMT G leads (4.3 & 5.0 mm height)



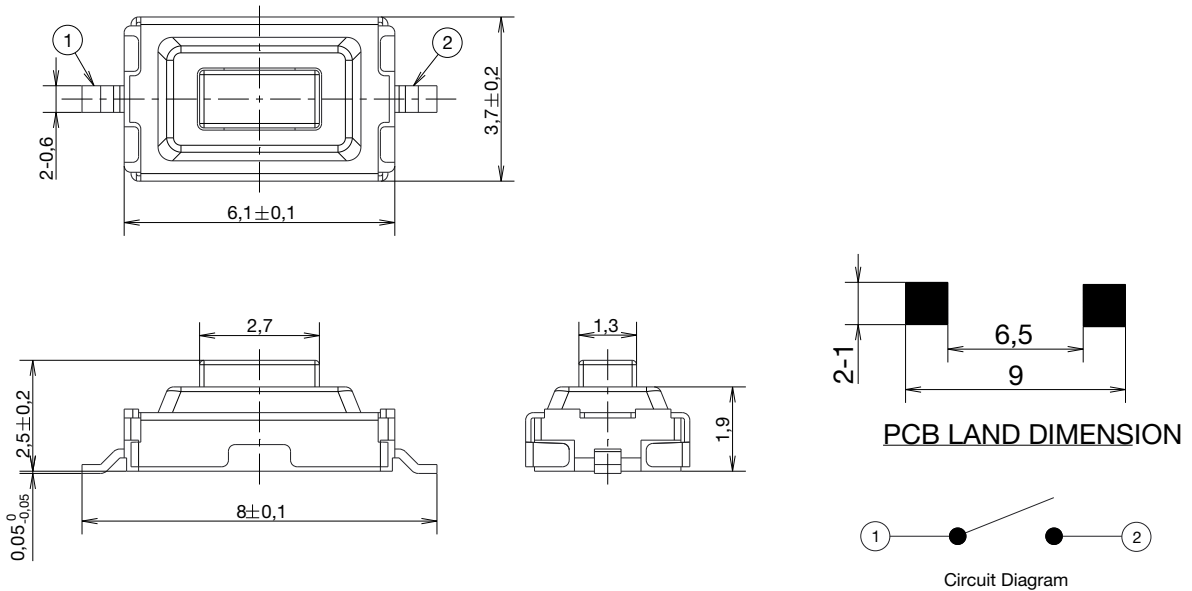
Dimensions are shown: mm  
Specifications and dimensions subject to change

# PTS636 Series 6.0 x 3.5 Top Actuated

## SMT J leads (4.3 & 5.0 mm height)

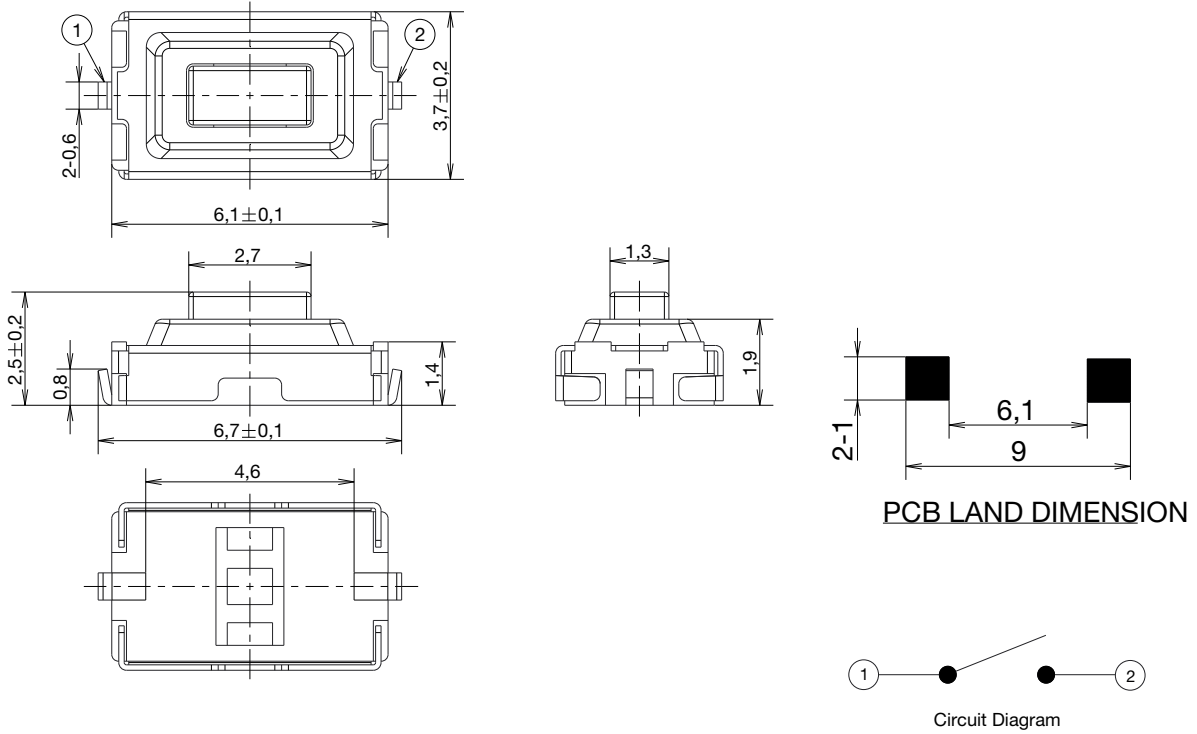


## SMT G leads (2.5 mm height)

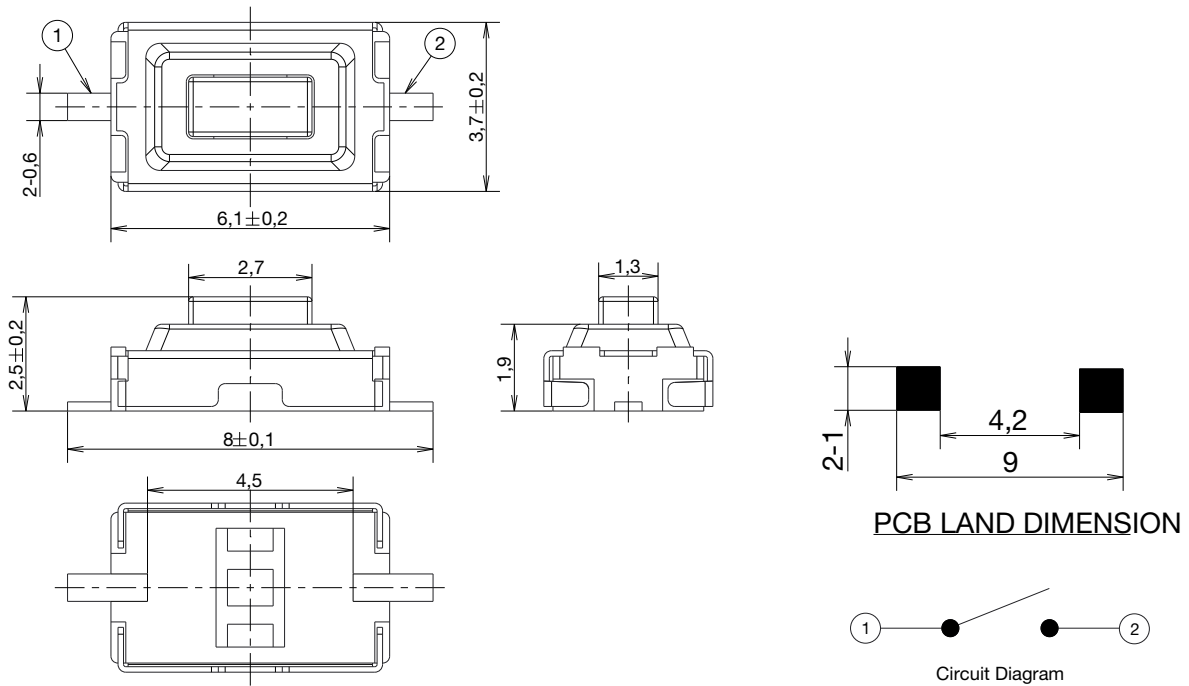


# PTS636 Series 6.0 x 3.5 Top Actuated

## SMT J leads (2.5 mm height)



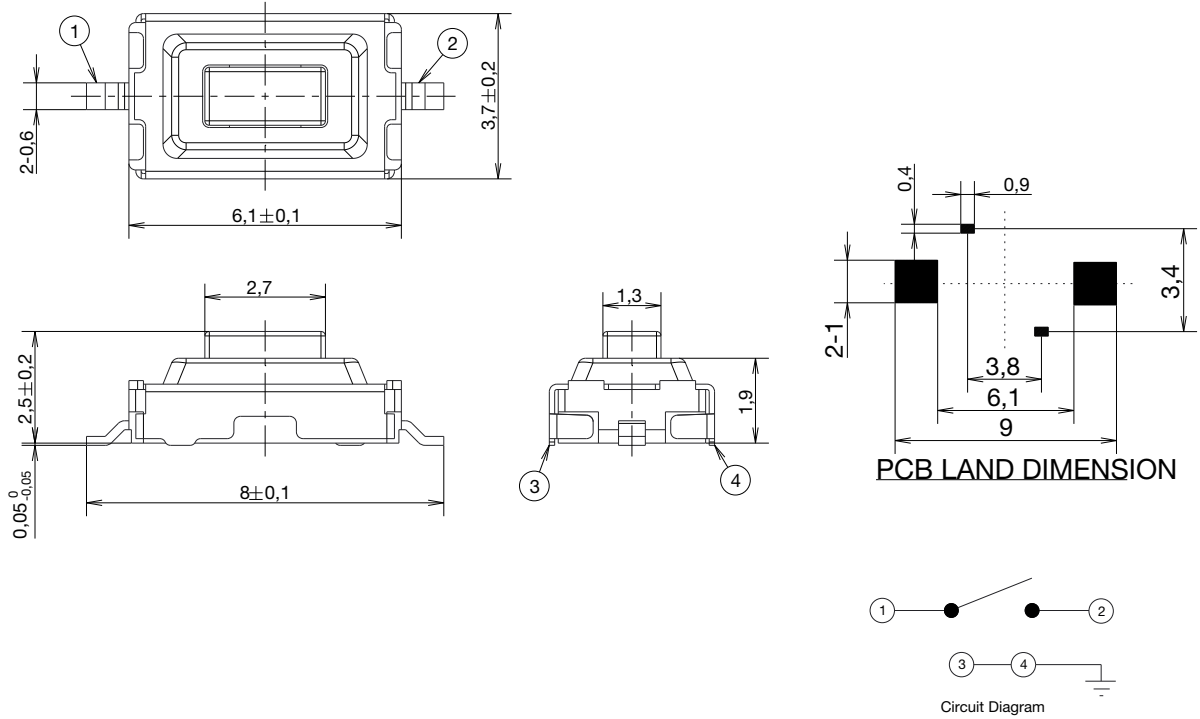
## SMT F leads (2.5 mm height)



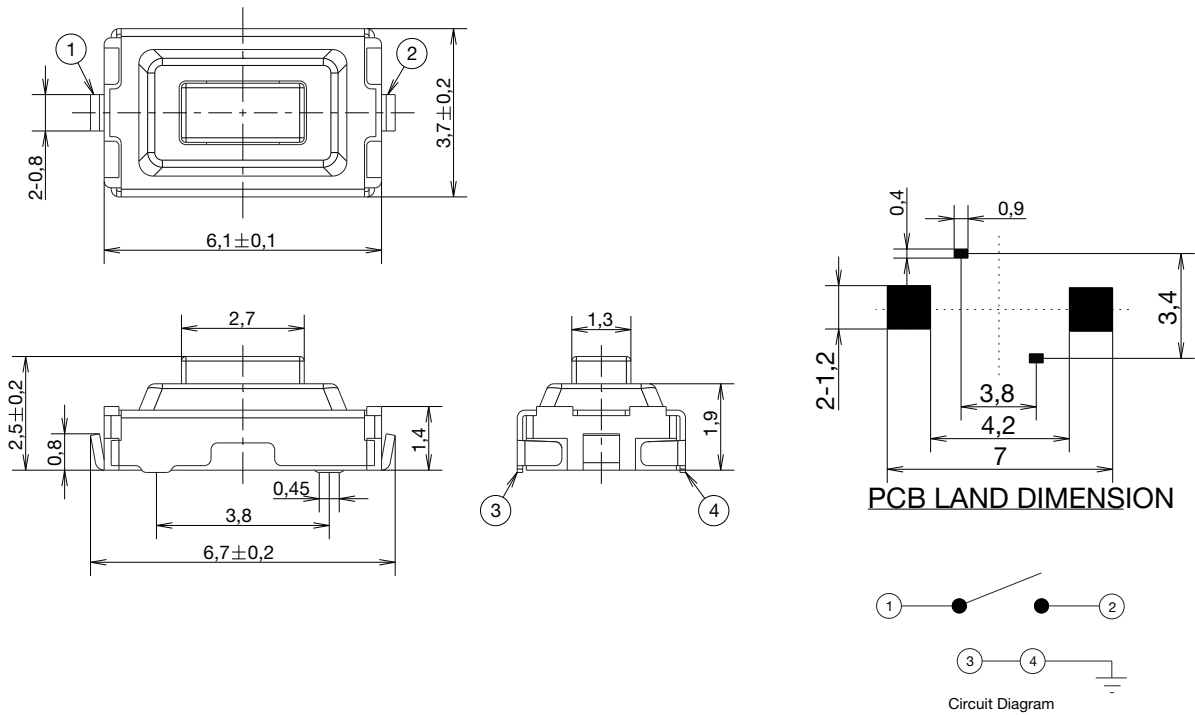
Dimensions are shown: mm  
Specifications and dimensions subject to change

# PTS636 Series 6.0 x 3.5 Top Actuated

## SMT G leads, with ground pin (2.5 mm height)



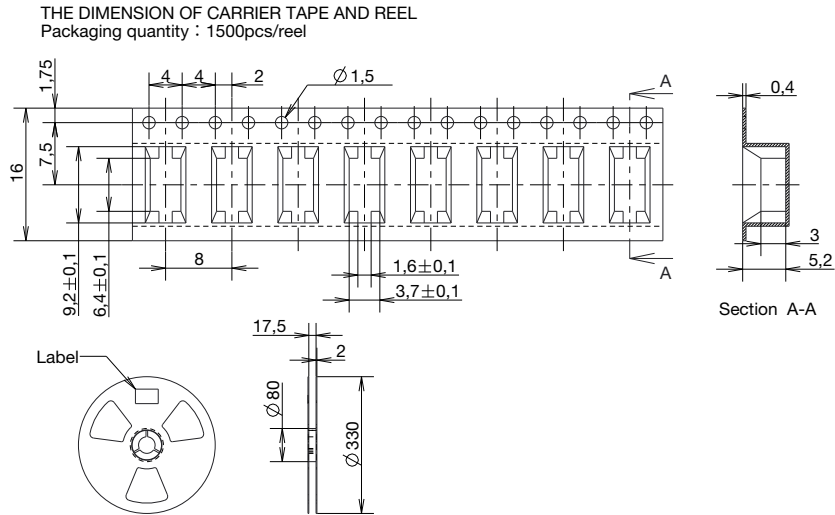
## SMT J leads, with ground pin (2.5 mm height)



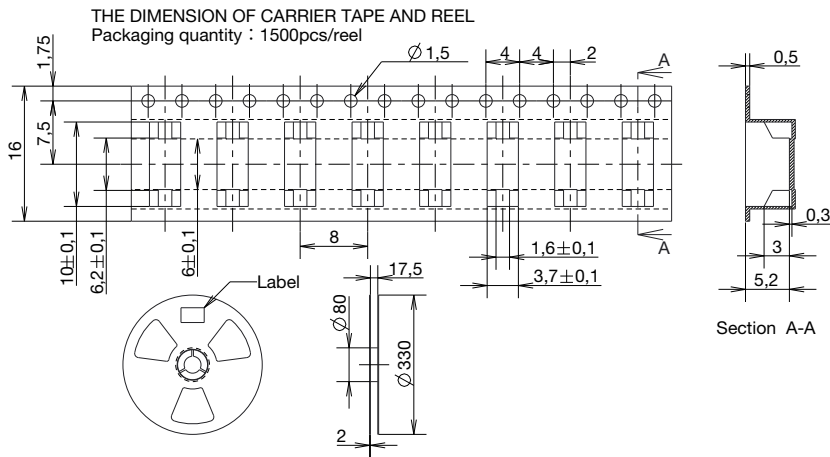
# PTS636 Series 6.0 x 3.5 Top Actuated

## PACKAGING

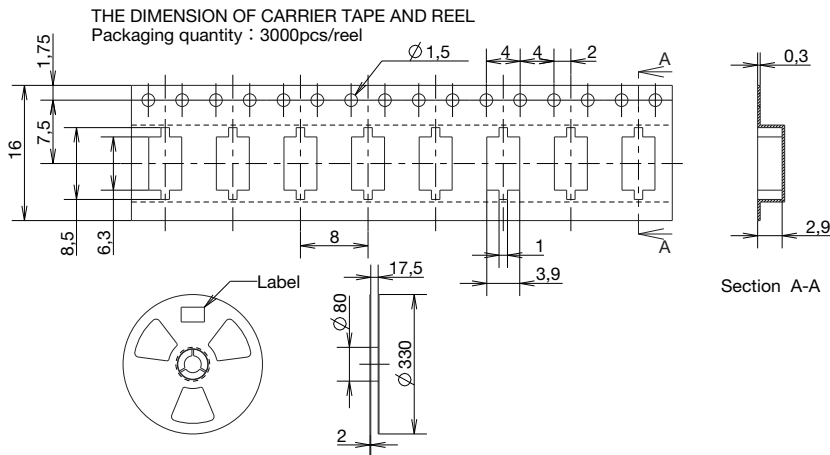
### 4.3 and 5.0 mm height - G leads



### 4.3 and 5.0 mm height - J leads



### 2.5 mm height



Dimensions are shown: mm  
Specifications and dimensions subject to change

# Mouser Electronics

Authorized Distributor

Click to View Pricing, Inventory, Delivery & Lifecycle Information:

## C&K Switches:

[PTS636 SK25 SMTR LFS](#) [PTS636 SK50 SMTR LFS](#) [PTS636 SP43 LFS](#) [PTS636 SK50 LFS](#) [PTS636 SM50J SMTR](#)  
[LFS](#) [PTS636 SKG25J SMTR LFS](#) [PTS636 SL43 LFS](#) [PTS636 SP50 LFS](#) [PTS636 SK43J SMTR LFS](#) [PTS636](#)  
[SMG25 SMTR LFS](#) [PTS636 SM43 SMTR LFS](#) [PTS636 SM25 SMTR LFS](#) [PTS636 SM25J SMTR LFS](#) [PTS636 SM43](#)  
[LFS](#) [PTS636 SK25J SMTR LFS](#) [PTS636 SM25F SMTR LFS](#) [PTS636 SP50 SMTR LFS](#) [PTS636 SL43 SMTR LFS](#)  
[PTS636 SL50 SMTR LFS](#) [PTS636 SM43J SMTR LFS](#) [PTS636 SM50 LFS](#) [PTS636 SL50 LFS](#) [PTS636 SMG25J](#)  
[SMTR LFS](#) [PTS636 SK25F SMTR LFS](#) [PTS636 SM50 SMTR LFS](#) [PTS636 SK50J SMTR LFS](#) [PTS636 SKG25 SMTR](#)  
[LFS](#) [PTS636 SP43 SMTR LFS](#) [PTS636 SK43 SMTR LFS](#) [PTS636 SK43 LFS](#) [PTS636SM43JSMTR LFS](#)  
[PTS636SM50JSMTR LFS](#) [PTS636SP50 LFS](#) [PTS636SKG25SMTR LFS](#) [PTS636SM25JSMTR LFS](#) [PTS636SM43](#)  
[LFS](#) [PTS636SK50SMTR LFS](#) [PTS636SK25JSMTR LFS](#) [PTS636SP43SMTR LFS](#) [PTS636SK43JSMTR LFS](#)  
[PTS636SK50 LFS](#) [PTS636SK25SMTR LFS](#) [PTS636SM25FSMTR LFS](#) [PTS636SMG25JSMTR LFS](#) [PTS636SP43](#)  
[LFS](#) [PTS636SK43SMTR LFS](#) [PTS636SL50 LFS](#) [PTS636SL50SMTR LFS](#) [PTS636SK43 LFS](#) [PTS636SK50JSMTR](#)  
[LFS](#) [PTS636SP50SMTR LFS](#) [PTS636SM25SMTR LFS](#) [PTS636SKG25JSMTR LFS](#) [PTS636SL43 LFS](#)