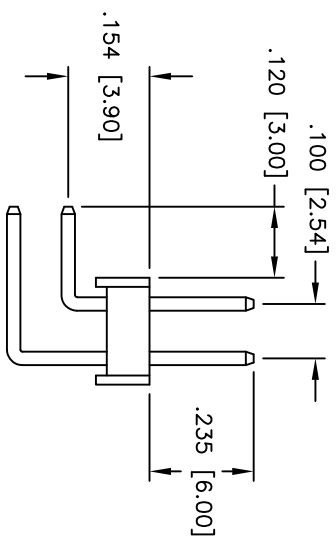
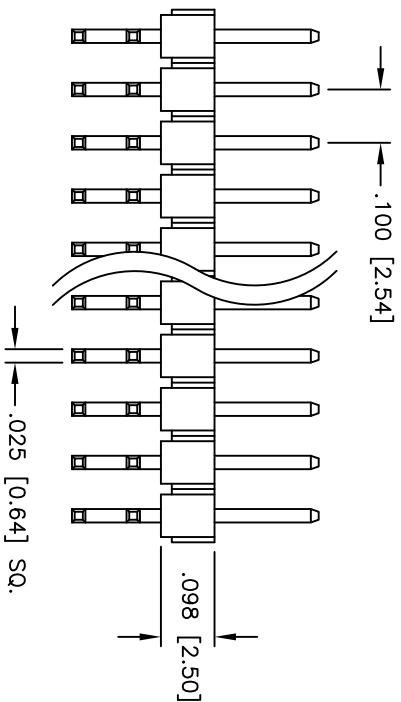
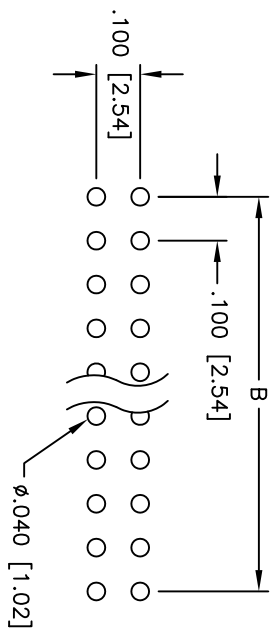
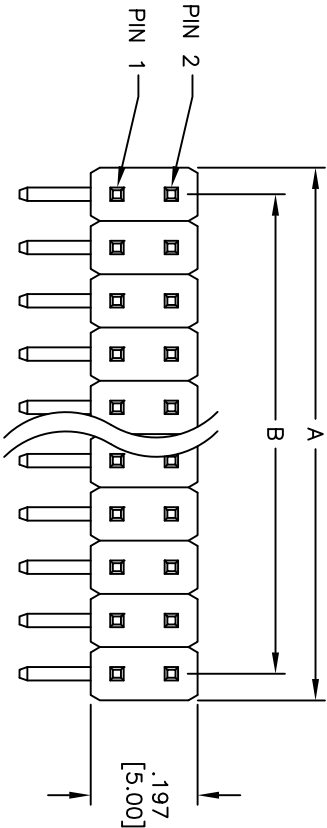


Rev	AWO #	Description	Date	Appr
-		RELEASED	4/4/05	

APPROVED: _____
 DATE: _____ TITLE: _____



SPECIFICATIONS:

- Material: Insulator: PBT, glass reinforced, rated UL 94V-0
- Insulator color: Black
- Contacts: Brass
- Plating: Gold flash over Nickel underplate overall
- Electrical: Current rating: 3 Amps max
- Contact resistance: 20 mohms max
- Insulation resistance: 5,000 Mohms min @ 500 VDC
- Dielectric withstanding voltage: 500 VAC for 1 minute
- Temperature Rating: Operating temperature: -40°C to +105°C
- Environmental: Lead free, RoHS compliant

Positions: 4 thru 80
 A = .100 [2.54] x No. of Positions per Row
 B = .100 [2.54] x No. of Spaces

UNLESS OTHERWISE SPECIFIED ALL DIMENSIONS ARE INCHES [MM]	
TOLERANCES: EXCEPT AS NOTED	
INCHES	HOLDS
.X ± .10	ØX ± .10
.XX ± .020	ØXXX ± .015
.XXX ± .015	ØXXX ± .010
APPROVALS	DATE
DRAWN	SS
CHECKED	
APPROVED	

ADAM TECH
 909 Rahway Avenue, Union, NJ 07083
 Phone: 908-687-5000 Fax: 908-687-5710

TITLE	.100 [2.54] DUAL ROW PIN HEADER	
	RIGHT ANGLE, GOLD PLATED	
SIZE	PART NO.	REV.
X	PH2RA-XX-UA	-
REF:	SCALE: NTS	SHEET 1 OF 1

